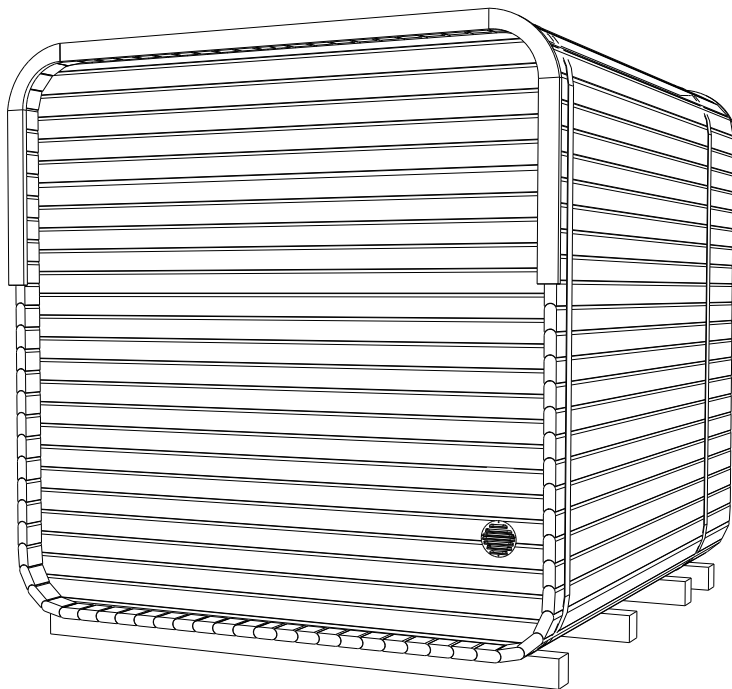
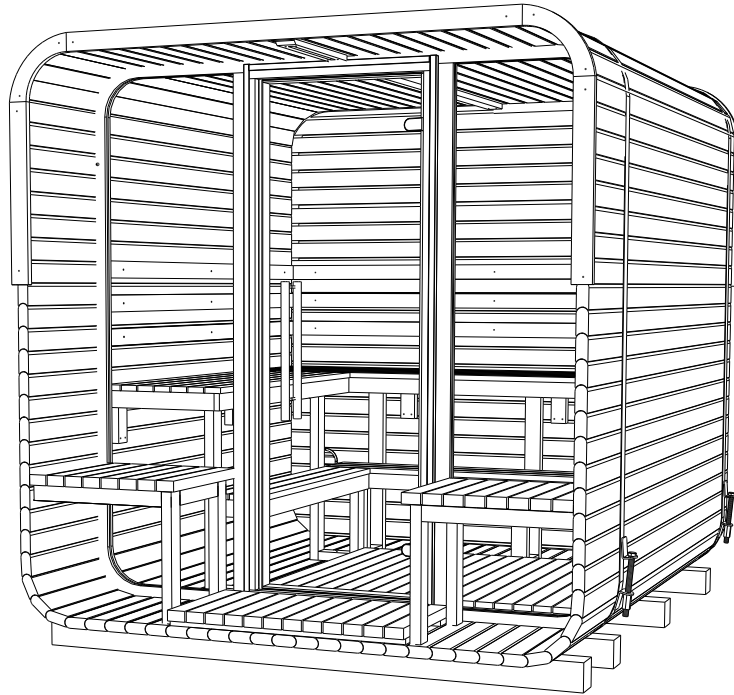


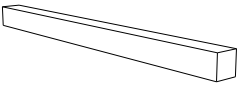
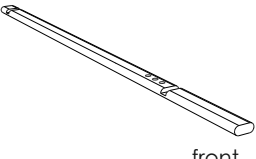
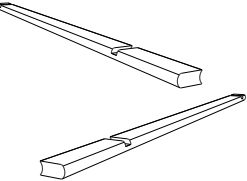
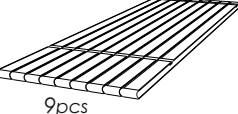
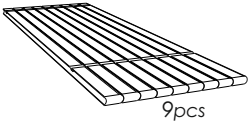
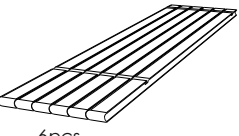
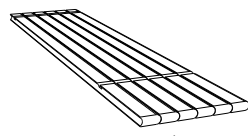
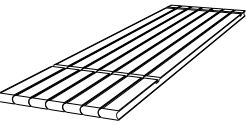
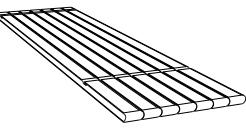
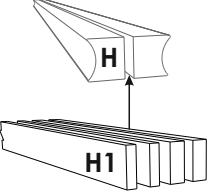
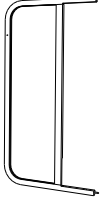
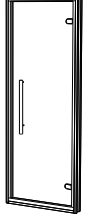
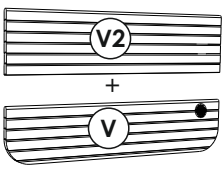
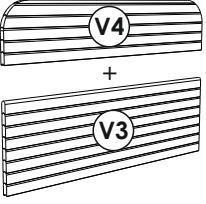
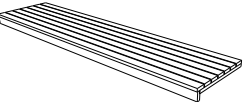
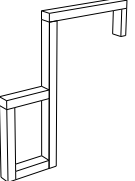
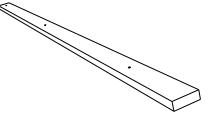
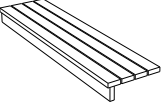

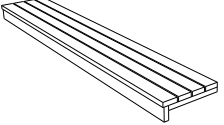
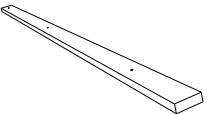
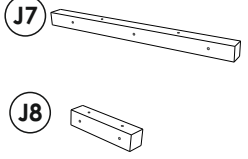
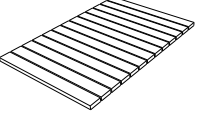

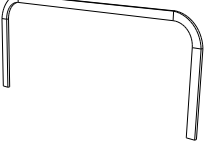
SQUARE SAUNA

ASSEMBLY INSTRUCTION


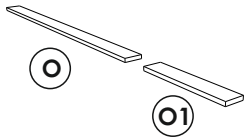







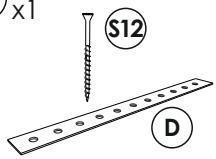
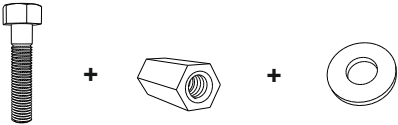
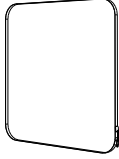
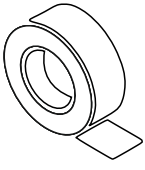
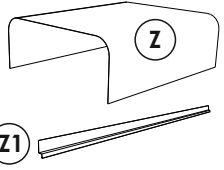


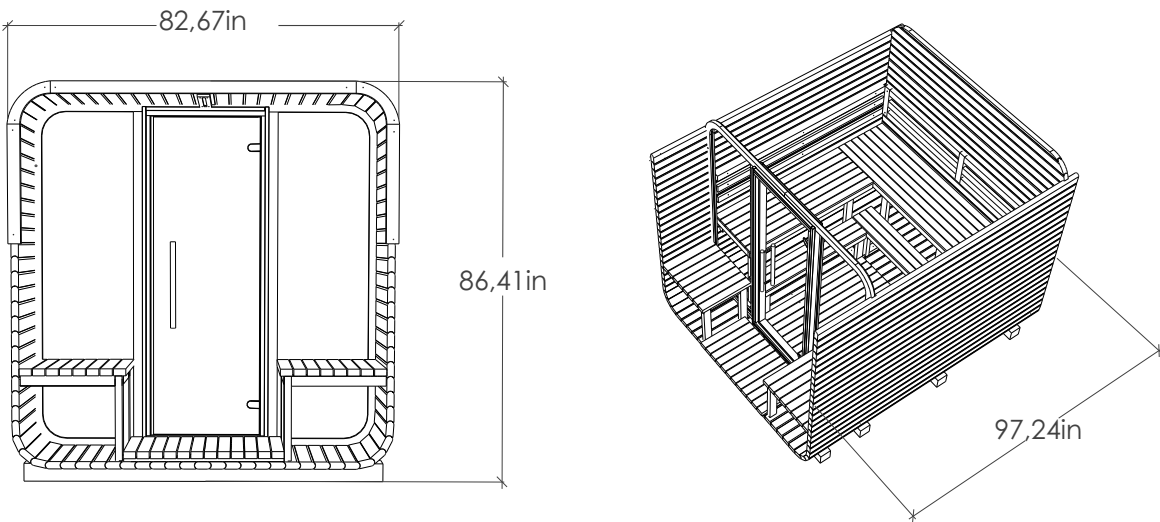
MODEL: **KT250**


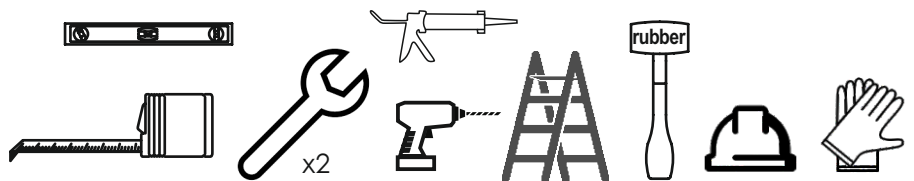
PART LIST

<p>A x4</p> 	<p>B x1</p>  <p>front</p>	<p>C x10 C1 x10</p> 	<p>C2 x2</p>  <p>9pcs</p>	<p>C3 x2</p>  <p>9pcs</p>
cradle	center stave	left side body stave right side body stave	left board panel (floor and roof)	right board panel (floor and roof)
<p>C4 x2</p>  <p>6pcs</p>	<p>C6 x2</p>  <p>6pcs</p>	<p>C5 x1</p>  <p>7pcs</p>	<p>C7 x1</p>  <p>7pcs</p>	<p>H x2 H1 x4</p> 
left board panel	right board panel	left board panel	right board panel	final H tpe stave with filling peaces H1
<p>F x2</p> 	<p>F2 x1</p> 	<p>V x1 V2 x1</p> 	<p>V3 x1 V4 x1</p> 	<p>J x1</p> 
panel section with window	door panel	bottom rear panel	upper rear panel	sauna bench (long)
<p>J1 x4</p> 	<p>J2 x1</p> 	<p>J3 x1</p> 	<p>J4 x1</p> 	<p>J5 x1</p> 
supporting leg	backrest stave(long)	sauna bench step (short)	sauna bench (short)	sauna bench step (long)
<p>J6 x3</p> 	<p>J7 x2 J8 x1</p> 	<p>L x2</p> 	<p>L1 x1</p> 	<p>W x10</p> 
backrest stave(short)	support board for sauna bench	flooring duckboard	flooring duckboard (outside)	decorative roof finishing board

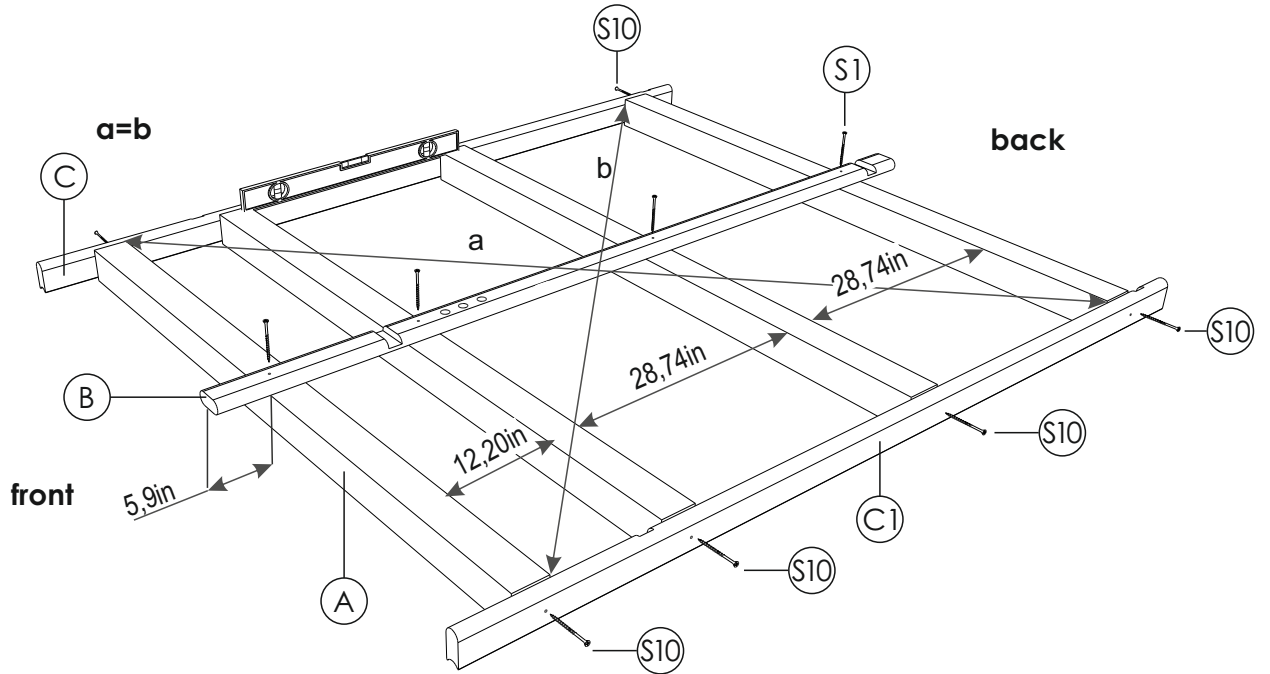
PART LIST

<p>K x2</p> 	<p>O x1 O1 x1</p> 	<p>S1 x50</p> 	<p>S4 x8</p> 	<p>S5 x12</p> 
benches	aspen ceiling board	screw 5.0x100 SS	screw 5.0x120	screw 4.0x50 SS
<p>S6 x78</p> 	<p>S7 x28</p> 	<p>S10 x110</p> 	<p>S11 x44</p> 	<p>S12 x10</p> <p>D x1</p> 
screw 5.0x70 SS	screw 4.2x55	screw 4.0x60	screw 4.0x40	screw 4.0x30 assembly tape
<p>S9 x2 + x2 + x4</p> 	<p>I x2</p> 	<p>T x1</p> 	<p>Z x1 Z1 x2</p> 	
bolt ø12x140	hex nut M12 (SW19)	flat washer	metal band	adhesive tape
BARREL DIMENSIONS				

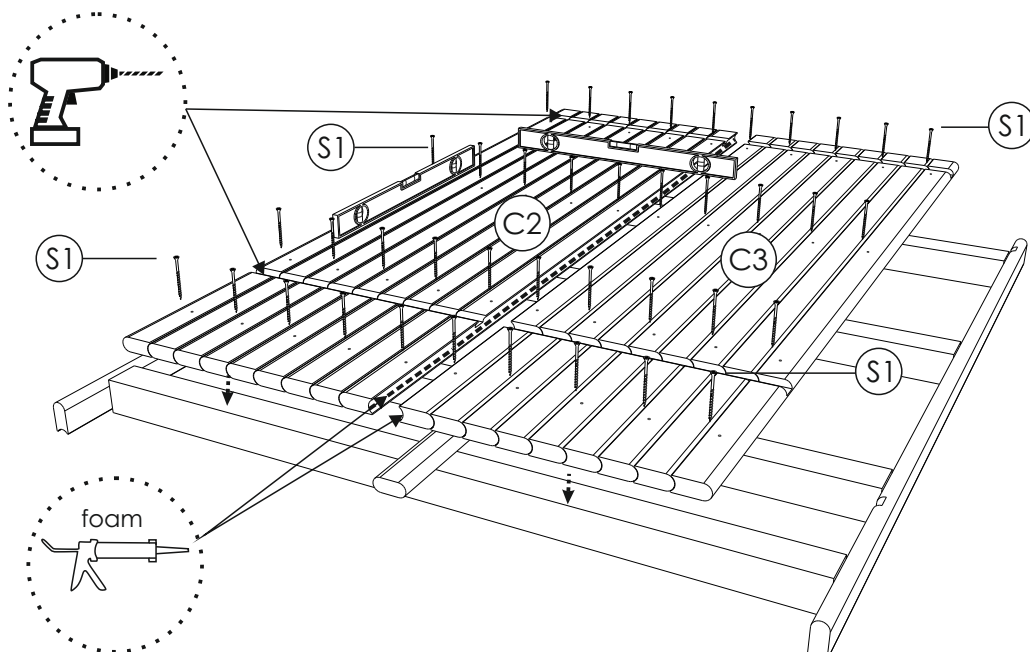


RECOMMENDATION	TOOLS REQUIRED
 <p>3 persons recommended</p>	

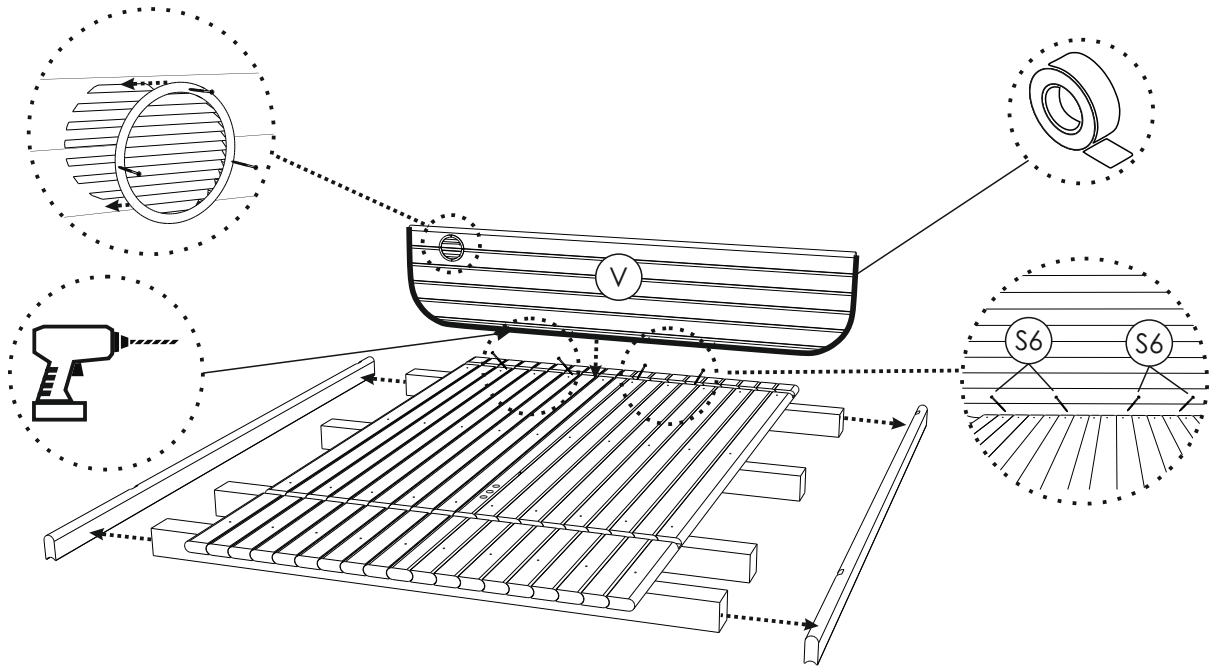
STEP 1: Measure support cradles (A) diagonally from corner to corner. Measurements "a" and "b" should be equal. To ensure the cradles are square, fix staves on both sides. Check levels again. Fix the center stave (B) in the middle of the cradles. Leave a stave 5,9 inches over the cradle on both sides. The base for sauna cradles must be leveled and hard.



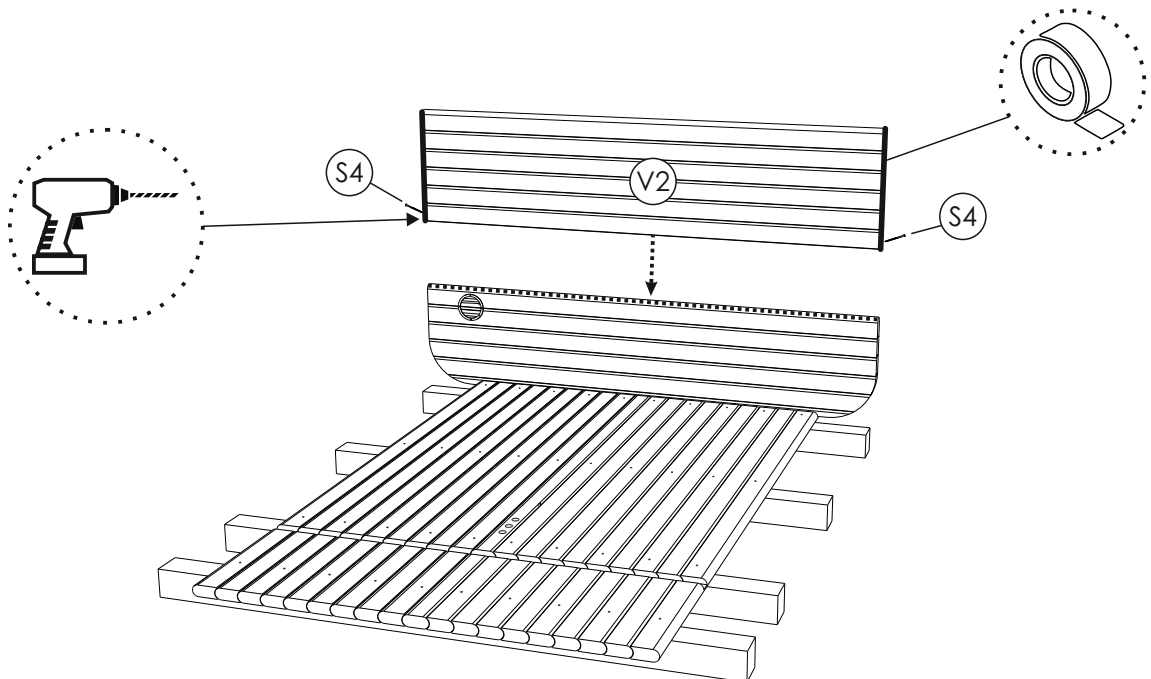
STEP 2: Drill 0,39in hole in each plank, in the front wall groove and in the rear wall groove to the outside. Fix 2 board panels (C2; C3) with 5x100 ss screws (S1) to each side from the centre stave. Use 8 screws for each panel as shown in picture. Between panel and stave use foam for better insulation.



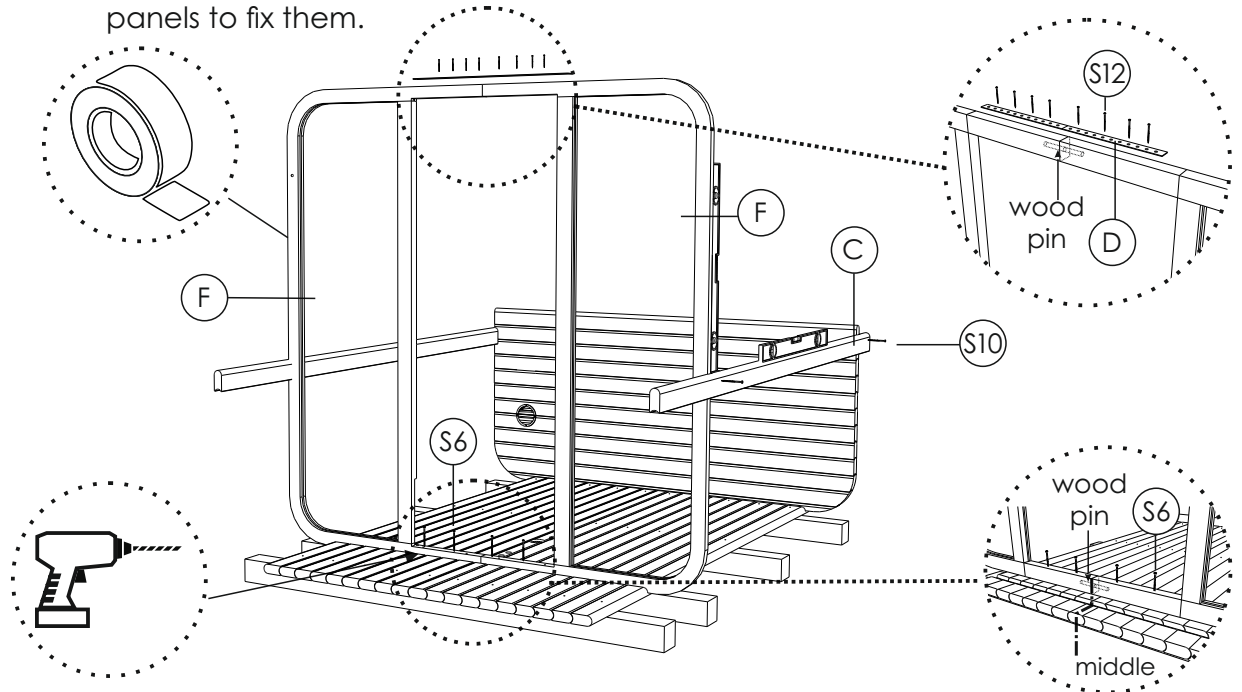
STEP 3: Attach adhesive tape along the rear panel edge. At the bottom of the rear panel (V), make a line where the centre of the panel is. Do the same on the centre stave of the floor, where the panel will be sitting. Pre-drill holes then fix with four screws 5x70ss(S6) panel to the floor. Distance the screws evenly. The screws should go in the way where the panel is sitting. Measure no more than 0,78in from the floor.



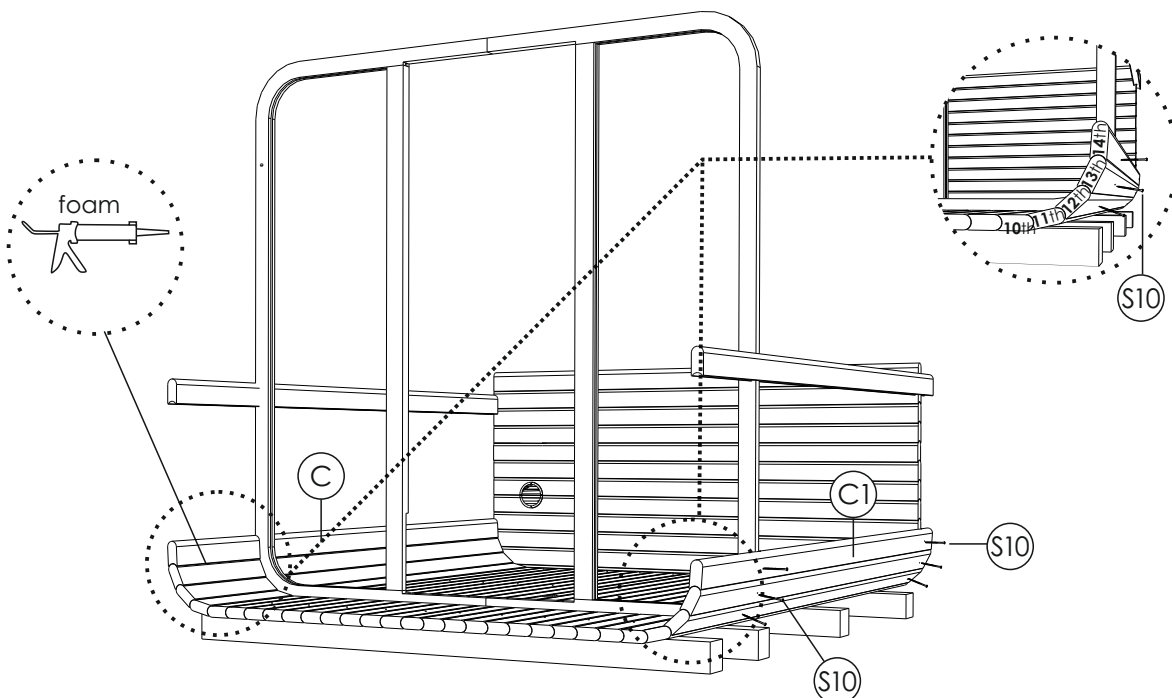
STEP 4: Attach adhesive tape along the rear panel (V2) edge. Pre-drill holes then fix panel V2 to panel V with two screws 5x120(S4). Between both panels use foam for better insulation.



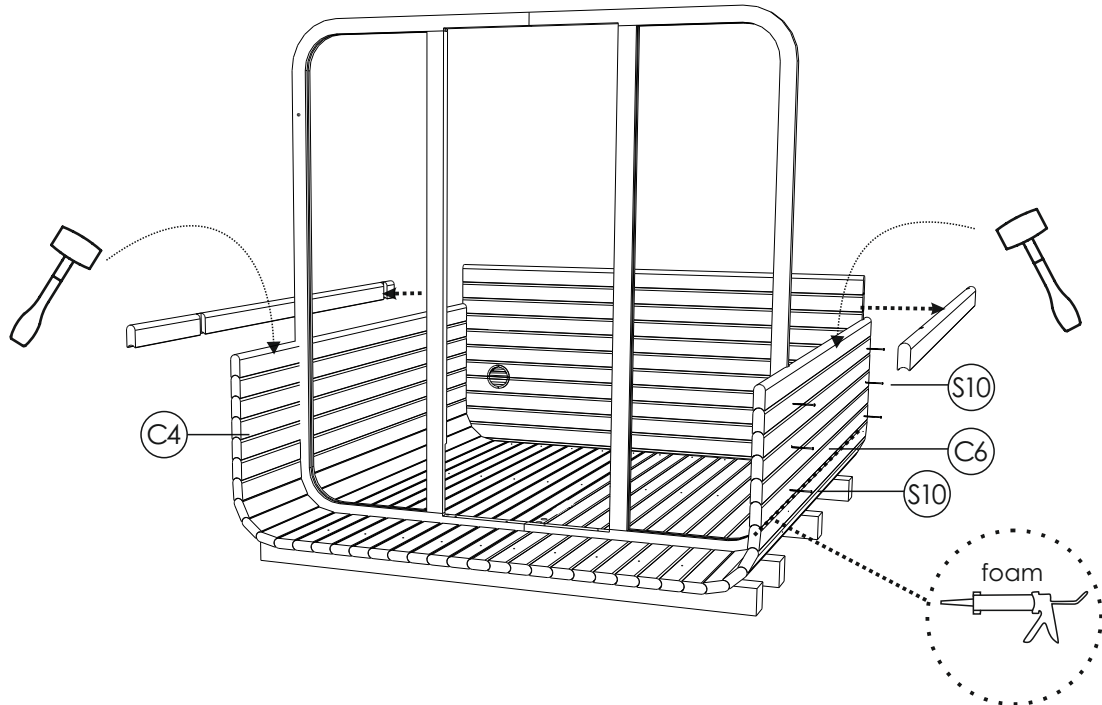
STEP 5: Attach adhesive tape along the panel edge. Install Front panels (F) separately. Make a mark on the center stave where the middle is. Take one of the panels and put it directly next to the middle line. Take one stave to connect both panels using screws 4x60(S10). Pre-drill holes in panel treshold then fix it with two screws 5x70ss(S6) evenly spaced and not too close to the sides. Put wood pins in the holes of the panel connection sides on the top and bottom. Make sure they are level. Do the same for the other side. Use assembly tape on top of front panels to fix them.



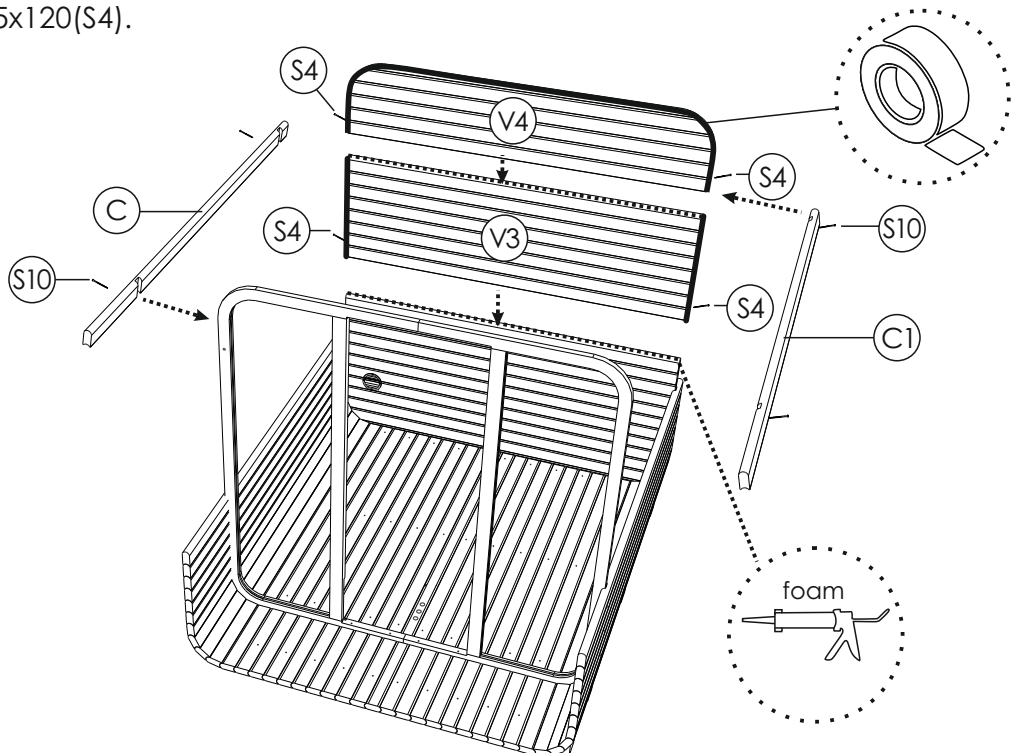
STEP 6: For both sides, the 10th to 11th stave (C) needs to be fixed as one piece. One is holding those three staves, and the other is fixing only the 12th; 13th; 14th; stave with screws 4x60(S10). Between floor panel and every stave use foam for better insulation.



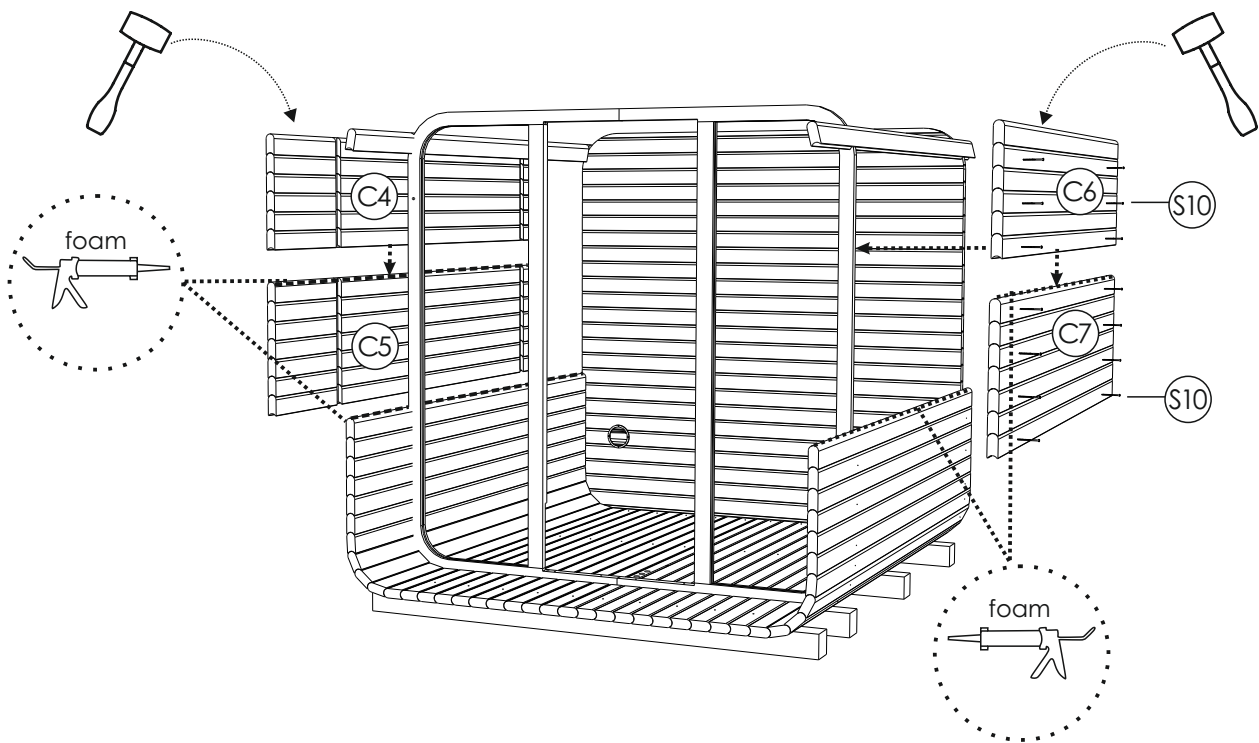
STEP 7: Fix the next board panels (C4; C6) on both sides with foam between the stave and panel with screws 4x60(S10) for each side. Use a rubber hammer if necessary, possibly need to push a bit back and front panels.



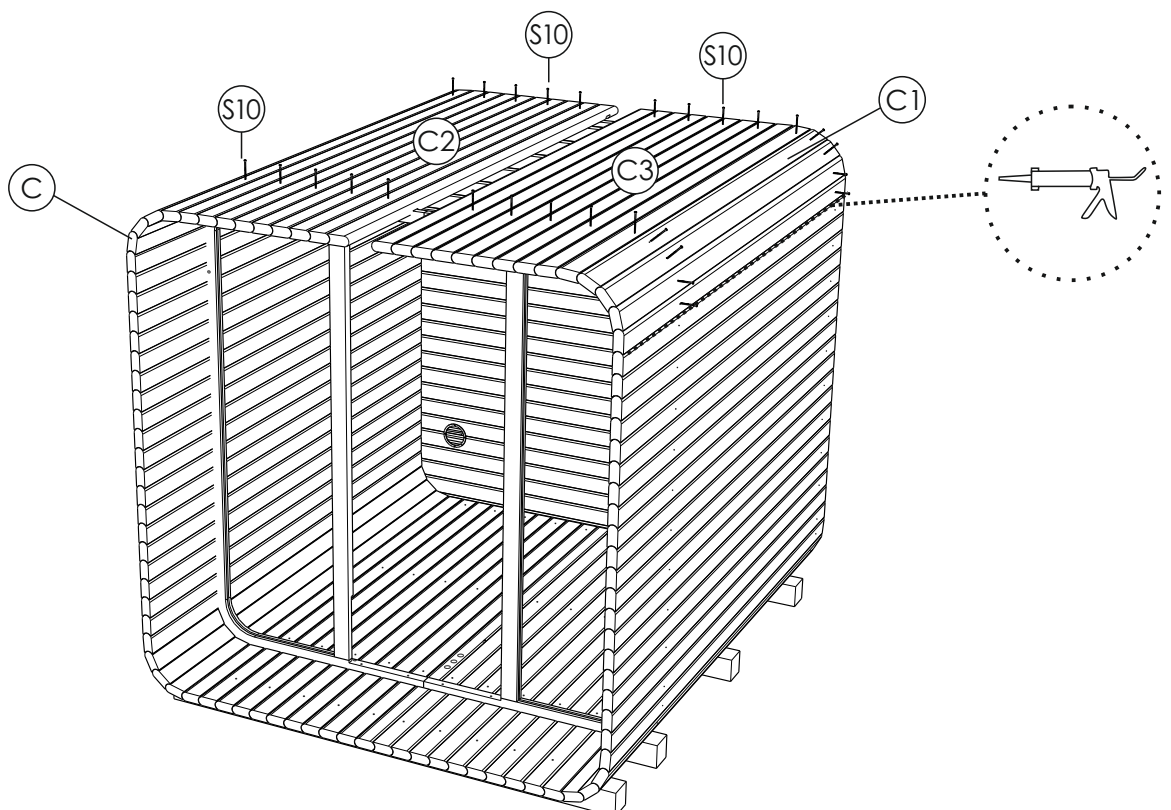
STEP 8: Install the upper rear panels (V3;V4) with caution. Use foam between panels for insulation. Place it on top of the back panel. Check that side edges are aligned properly with both panels. One keeps holding the panel in line, and the other is fixing the staves (C; C1) on each sides curve using screws 4x60(S10). Check levels and fix the panel with screws at the ends of the panel's lower sides using screws 5x120(S4).



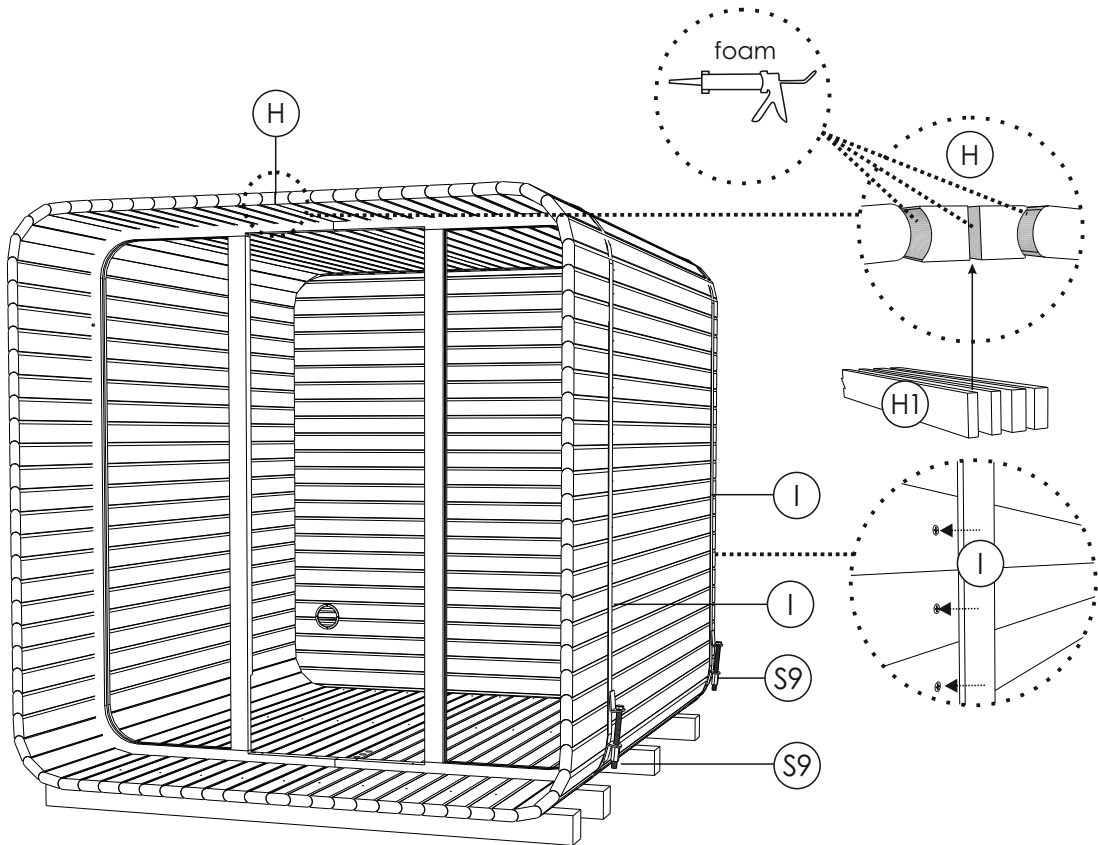
STEP 9: Fix the next board panels (C4; C5; C6; C7) on both sides with foam between the stave and panel with screws 4x60(S10) for each side. Use a rubber hammer if necessary, possibly need to push a bit back and front panels.



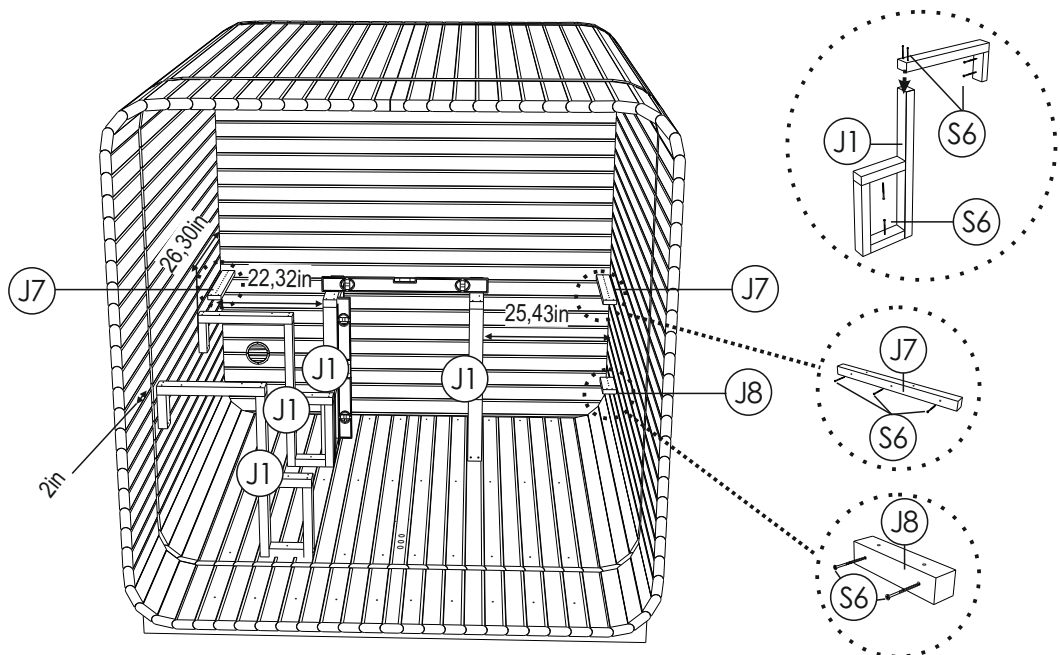
STEP 10: Fix the next body staves (C; C1) and board panels (C2;C3) on both sides with foam between the stave and panel with screws 4x60(S10) for each side. Use a rubber hammer if necessary, possibly need to push a bit back and front panels.



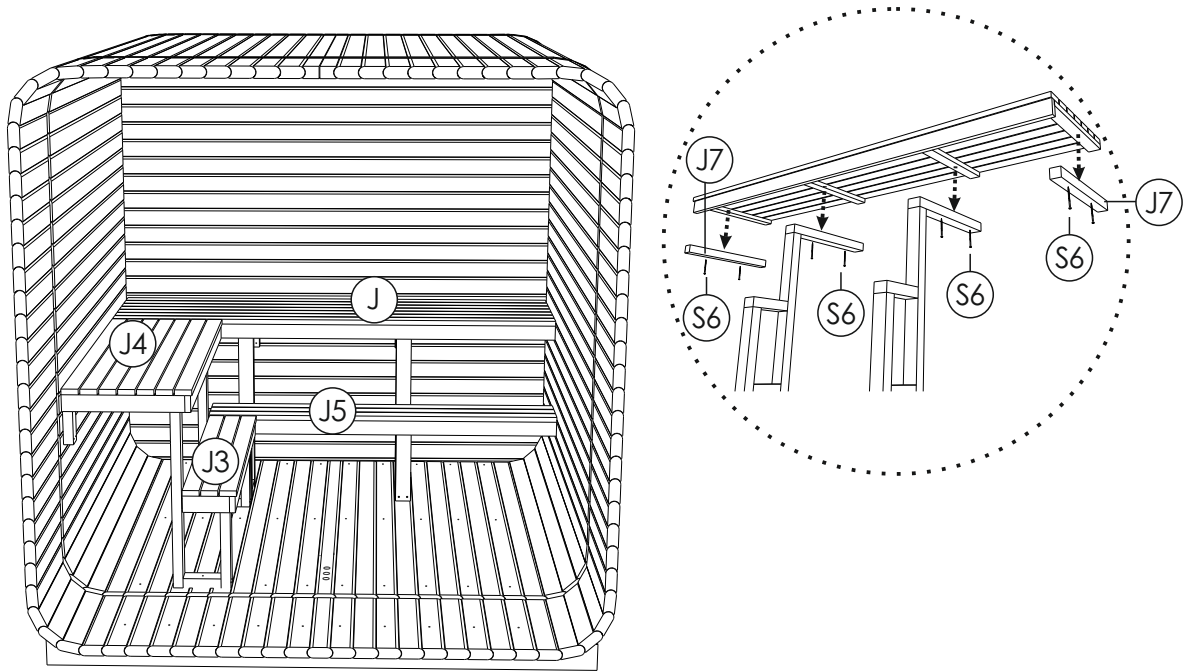
STEP 11: If needed, use thinner staves (H1) to fill the gap between (H) staves and apply foam between staves. Install metal bands (I) over the screw holes, then tighten the band.



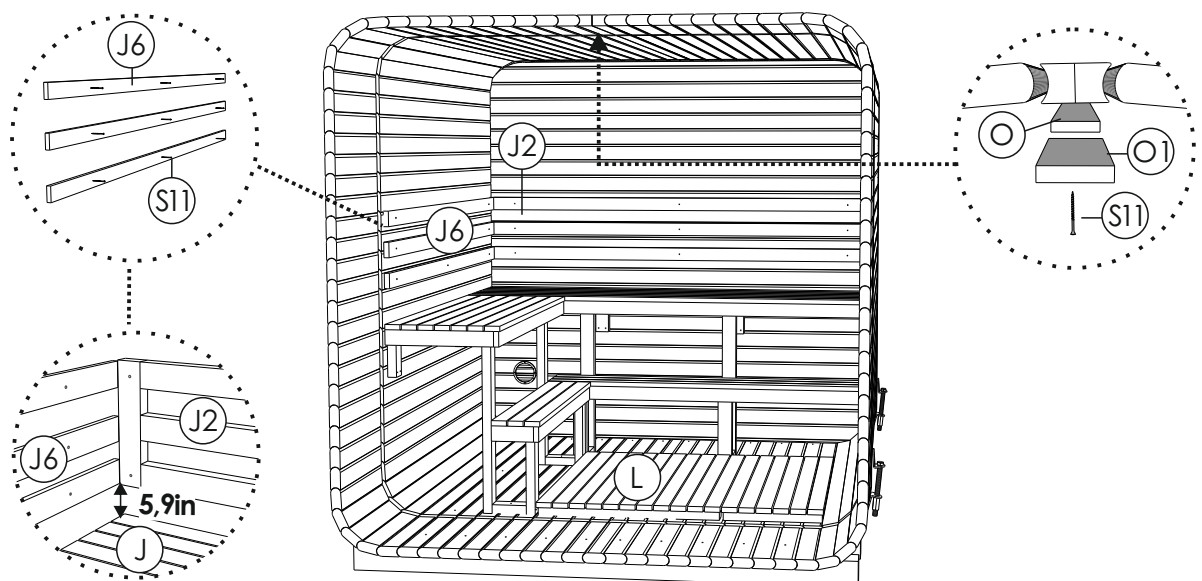
STEP 12: Install legs (J1) for benches. The first leg needs to be installed on the rear wall. Take measurements as in the picture, both legs (J1) are 22,32in and 25,43in from side walls. Then install bench support boards (J7;J8) on the side walls at the same level as the bench legs. Check the legs to ensure they are straight from all angles. The side wall leg (J1) is installed from the side of the doors. The first leg is 2in from the door panel, and the farther leg is 26,30in from the back panel.



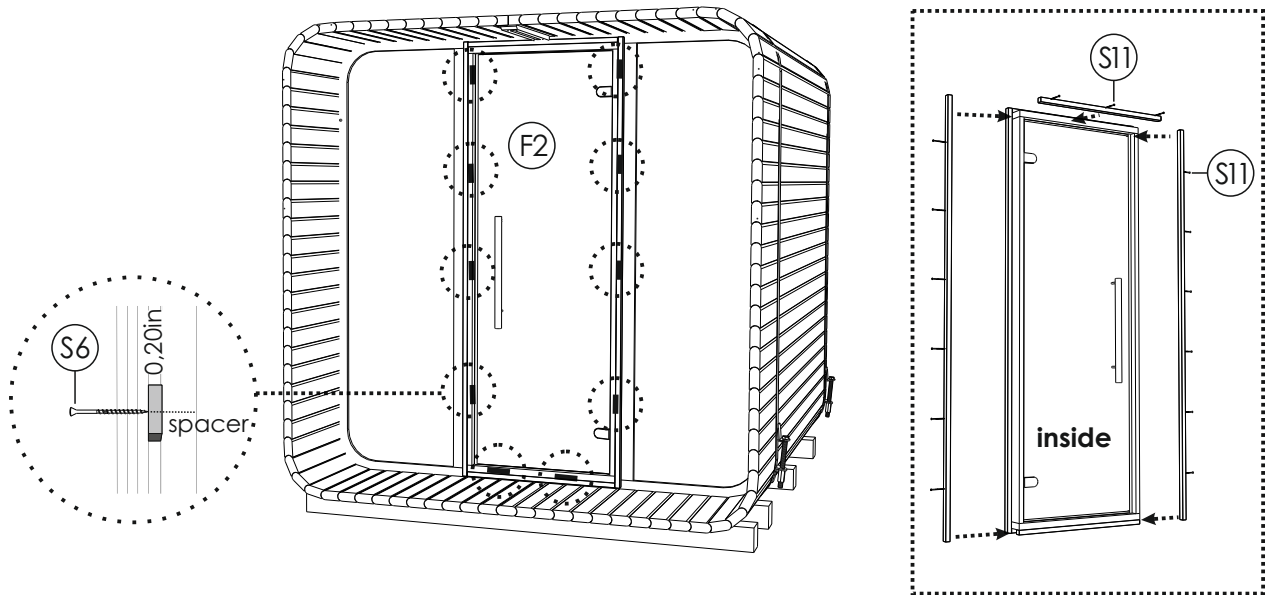
STEP 13: Install sauna benches on top of legs (J; J3; J4; J5). Bench cross boards have to match the tops of the bench legs. Check distances from walls, then fix benches on the legs.



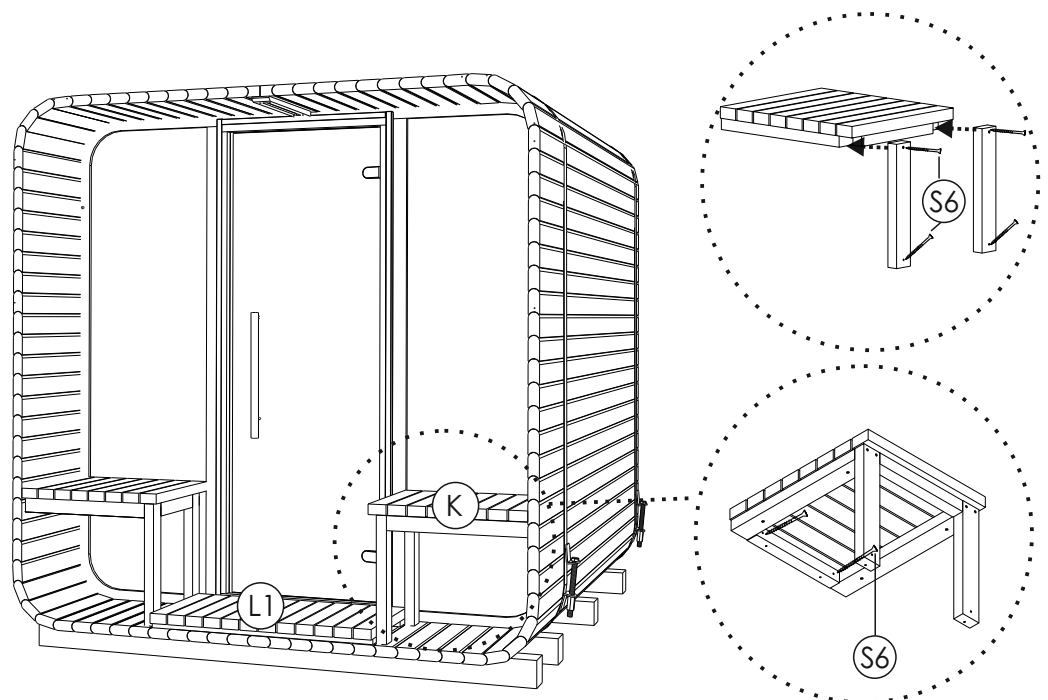
STEP 14: Install the ceiling board (O;O1) in the middle of the ceiling. Fix the backrest (J2) in front of the panorama window, first 5,9in up from the sauna bench. Then install backrest staves (J6) at the same height as the backrest on the panoramic wall. Put in the flooring duckboard (L).



STEP 15: Install the doors (F2). The doors have to stand on 0,20in green plastic spacers in the door box. Another person should be inside and put green plastic spacers in the gap between the door box and the front panel where the screws go. Fix door box with screws 5x70ss (S6) through spacers. Install finishing door slats around the door box with 4x40 (S11).



STEP 16: Install porch benches (K), using screws 5.0 x 70SS (S6) and one outdoor floor duckboard (L1).



STEP17: Place waterproof roof cover (Z) and fix with slat (Z1) and four screws 4.0x50SS(S5). Then install front and rear decorative roof finishing boards (W), fixing by screws 4.2x55(S7).

