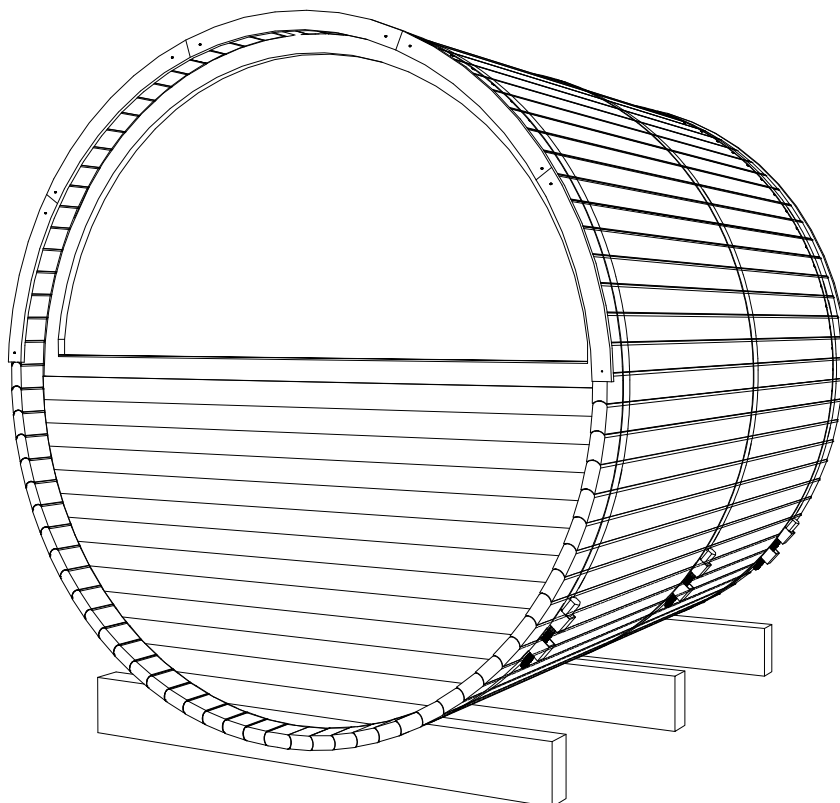
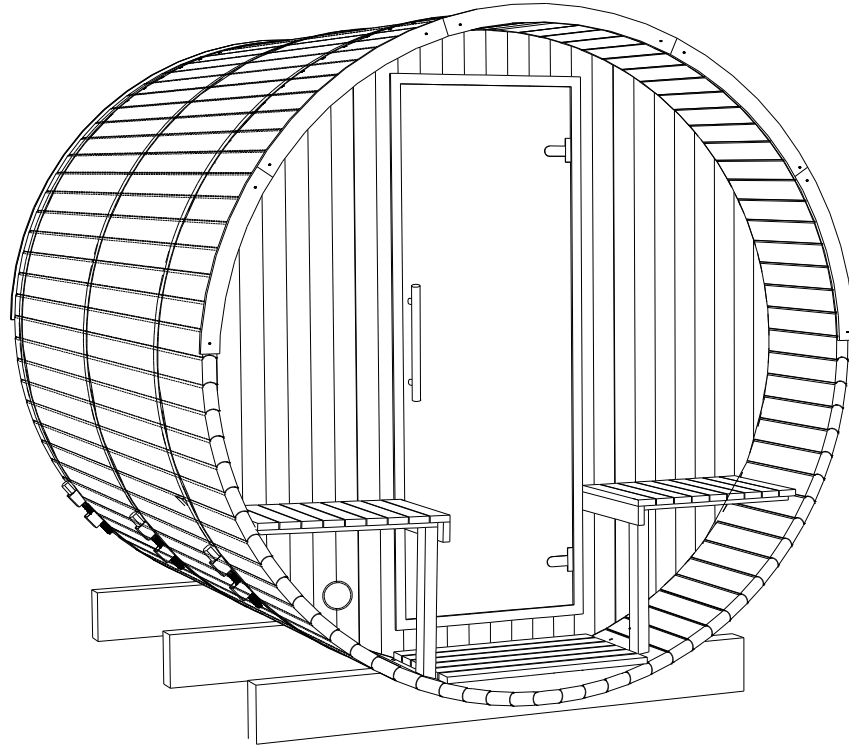


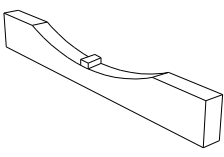
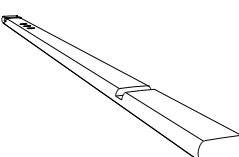
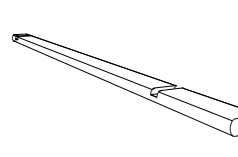
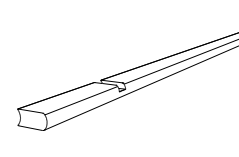
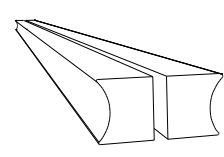
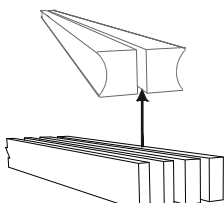

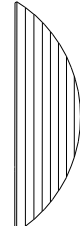
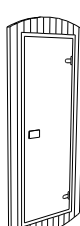
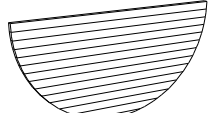
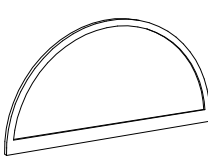
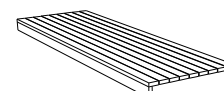
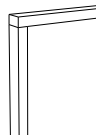
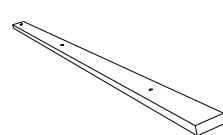
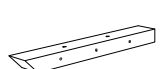
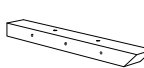

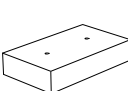
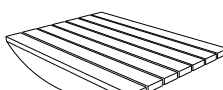
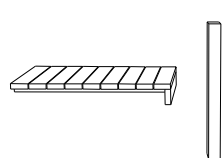
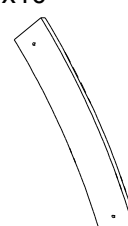
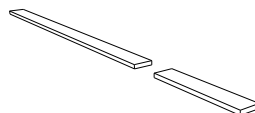
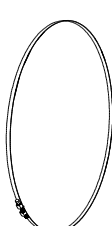
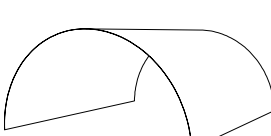
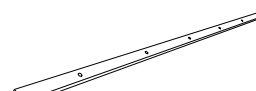
BARREL SAUNA

ASSEMBLY INSTRUCTION




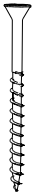



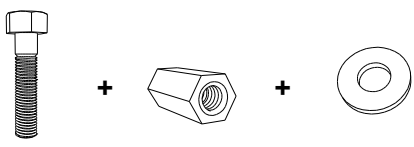


MODEL: RTP-229-223(No 60)

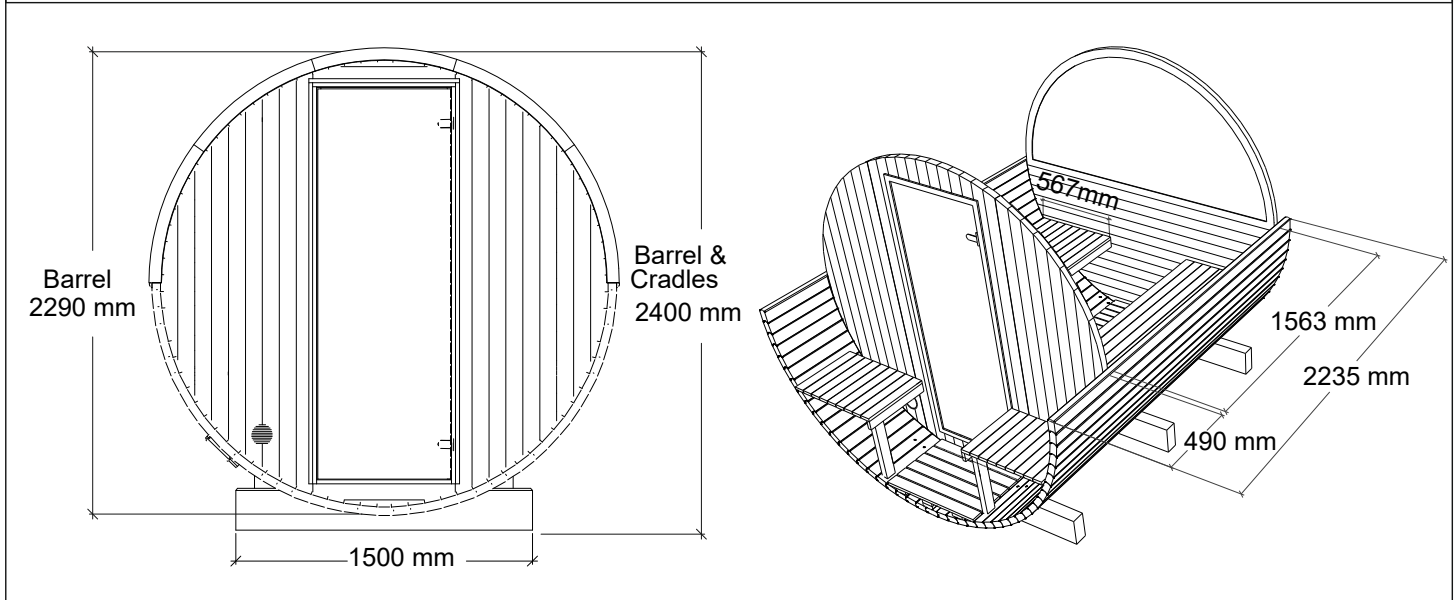
PART LIST

<p>A x3</p> 	<p>B x1</p> 	<p>A x45</p> 	<p>C1 x45</p> 	<p>H x2</p> 
cradle	center stave	left side body stave	right side body stave	final H tipe stave at the top
<p>H1 x4</p> 	<p>F x1</p> 	<p>F1 x1</p> 	<p>F2 x1</p> 	<p>V x1</p> 
different thickness Filling peaces	left panel section	right panel section	door panel	bottom rear panel
<p>V1 x1</p> 	<p>J x2</p> 	<p>J1 x2</p> 	<p>J2 x6</p> 	<p>J3 x2</p> 
rear panel with panoramic window	sauna bench	supporting leg	backrest stave	wall mount
<p>J4 x2</p> 	<p>L x2</p> 	<p>L1 x6</p> 	<p>L2 x1</p> 	<p>K x2</p> 
wall mount	Flooring duckboard	Fixing block for Flooring duckboard	Flooring duckboard (outside)	benches
<p>W x10</p> 	<p>O x1</p> 	<p>I x3</p> 	<p>Z x1</p> 	<p>Z1 x2</p> 
decorative roof Finishing board	aspen roof board	metal band	Waterproof roof cover	Slat for roof cover

PART LIST

<p>S1 x60</p> 	<p>S2 x100</p> 	<p>S3 x40</p> 	<p>S4 x8</p> 	<p>S7 x25</p> 
<p>screw 5.0x100 SS</p>	<p>screw 4.0x70</p>	<p>screw 4.0x50</p>	<p>screw 5.0x120</p>	<p>screw 4.2x55 brown</p>
<p>S5 x40</p> 	<p>S6 x45</p> 		<p>S9 x3 + x3 + x6</p> 	
<p>screw 4.0x50 SS</p>	<p>screw 5.0x70 SS</p>		<p>bolt ø12x140</p>	<p>hex nut M12 (SW19) Flat washer</p>

BARREL DIMENSIONS

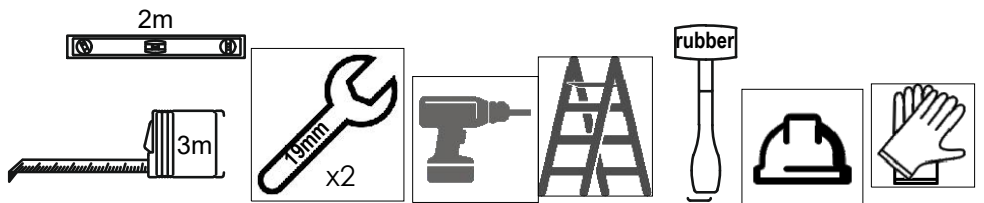


RECOMMENDATION

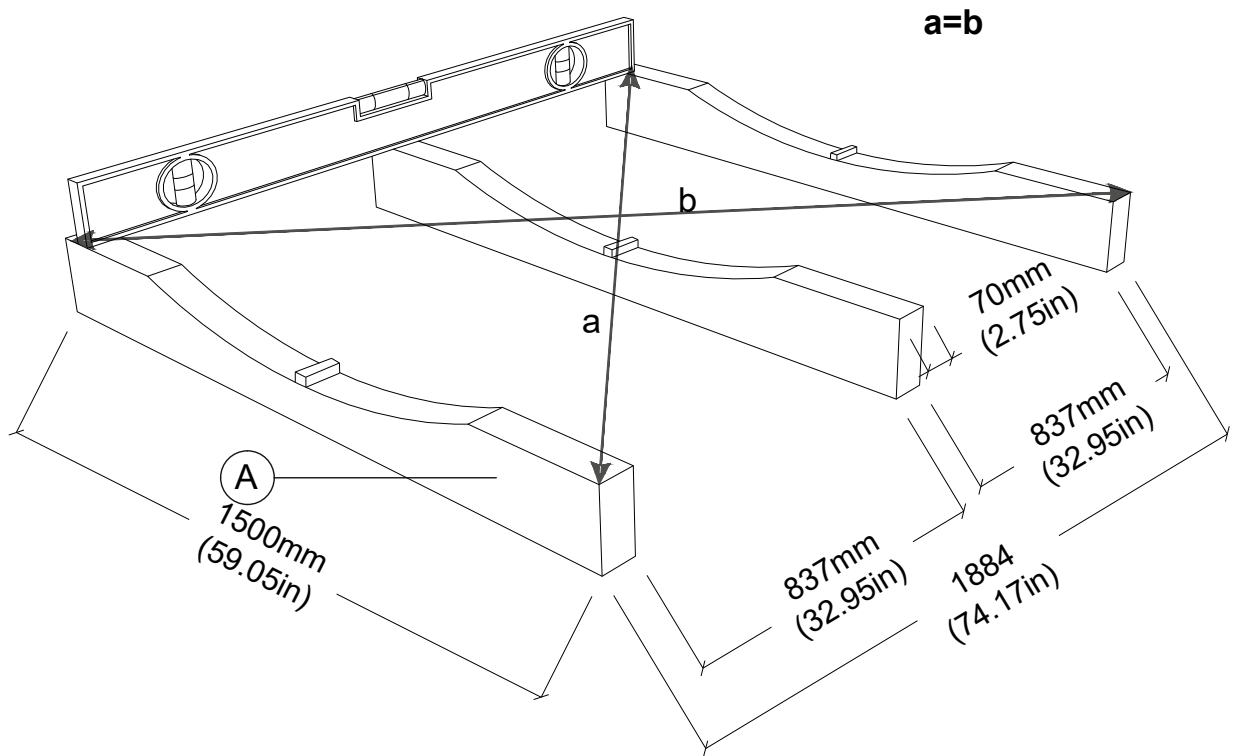


2 person recommended

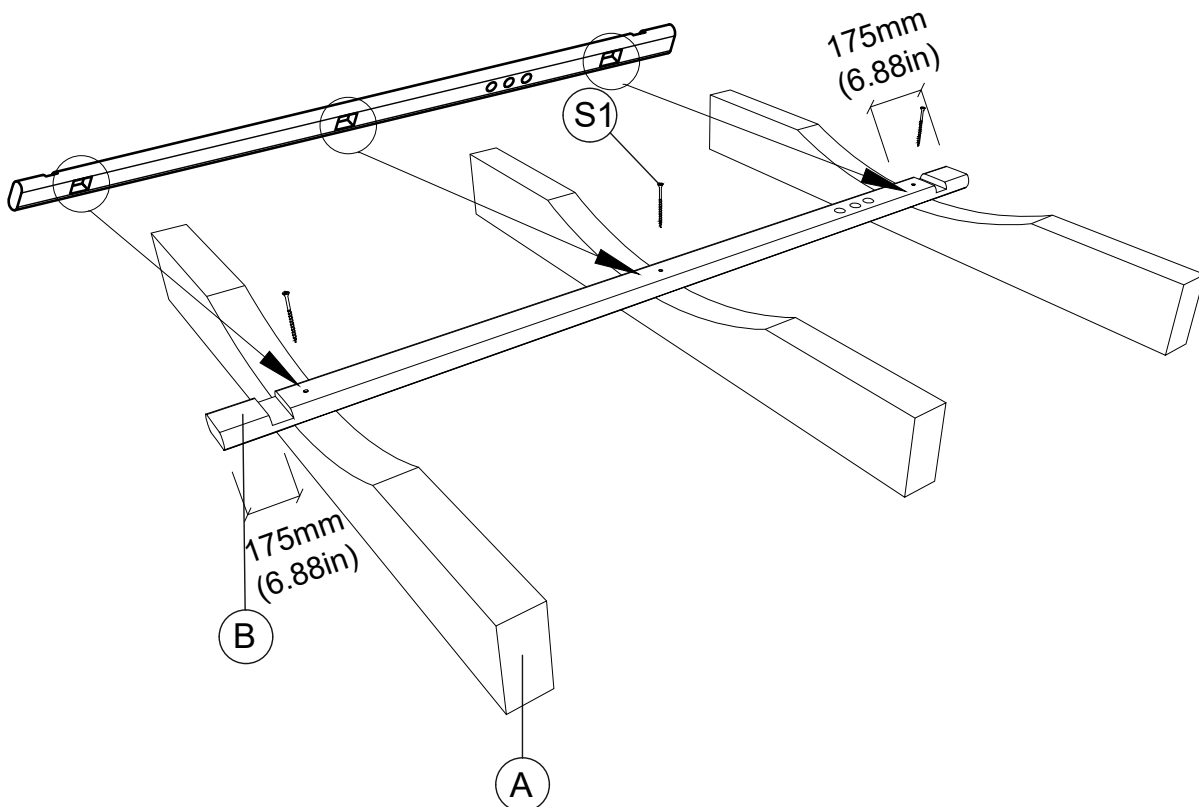
TOOLS REQUIRED



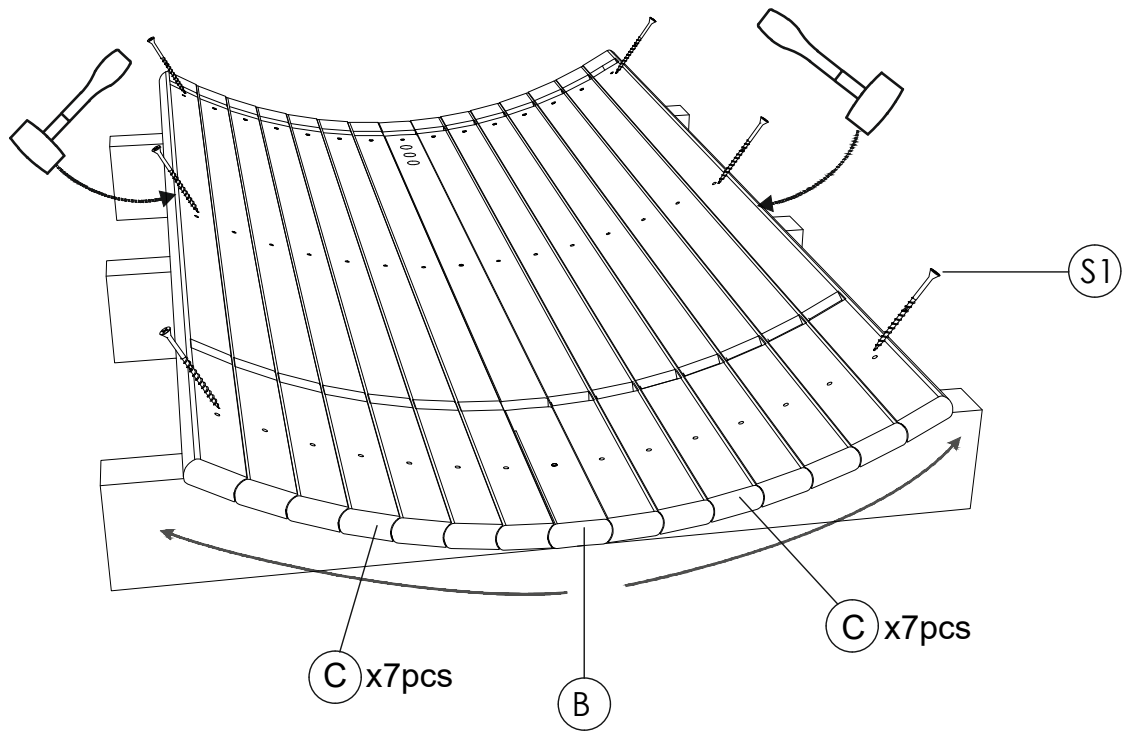
STEP 1: Measure support cradles (A) diagonally from corner to corner. Measurements "a" and "b" should be equal to ensure the cradles are square. Be sure cradles remain level.



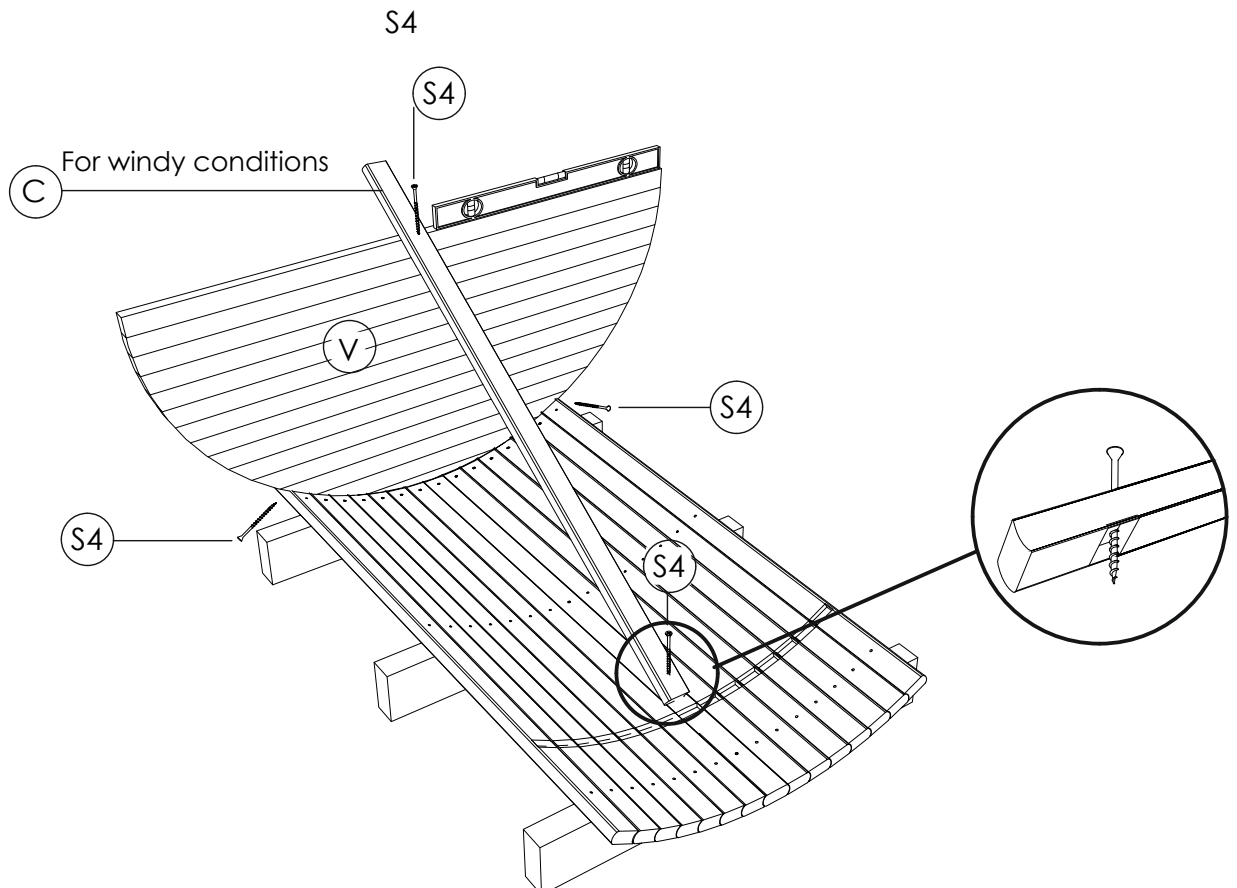
STEP 2: Place the support cradles (A) on level site. Carefully level for better stability. Place the center stave (B) on wooden dowels embedded in outer support cradles (A). Fix the center stave (B) with 5.0x100 SS(S1).



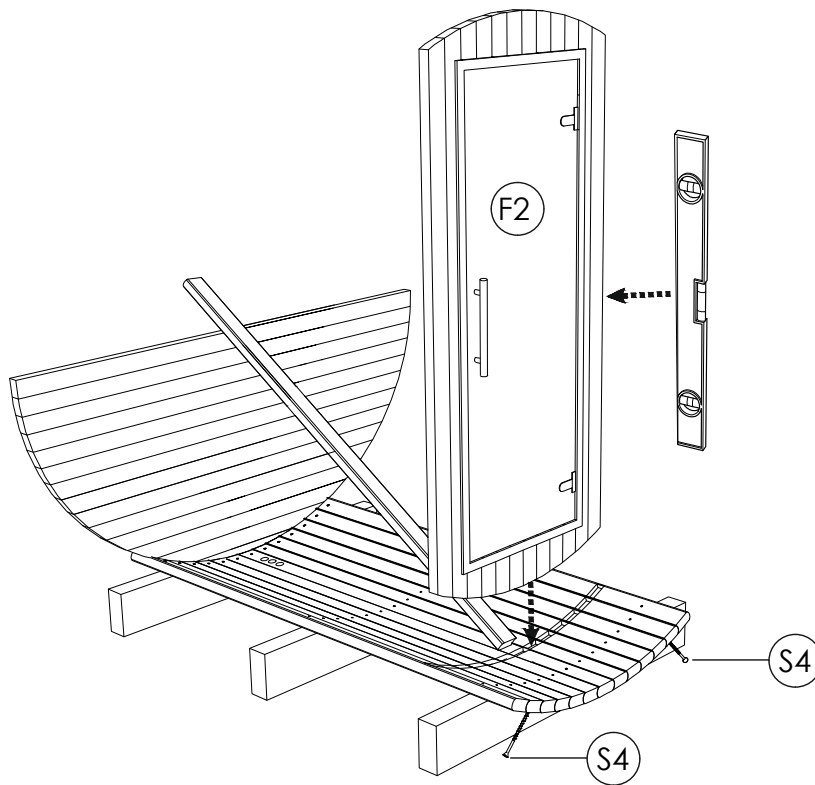
STEP 3: Place 7 sauna body staves (C) to each side of the center stave (B) and fix with screws 5.0x100 SS (S1). Be sure to align the panel groove on every next body stave, to do that use rubber hammer.



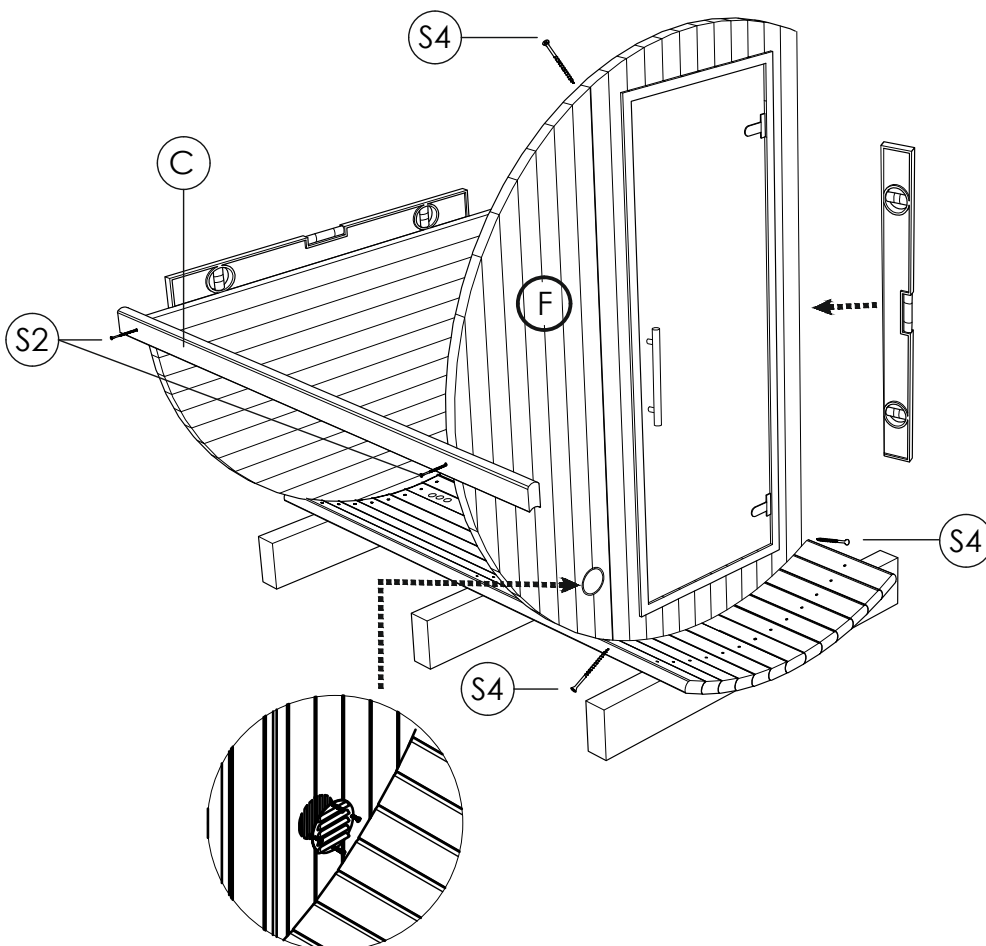
STEP 4: Place rear panel (V) in stave groove, be sure panel is centered, leveled, completely seated. Fix panel using 5.0 x 120 (S4) screws through last floor stave on both sides.



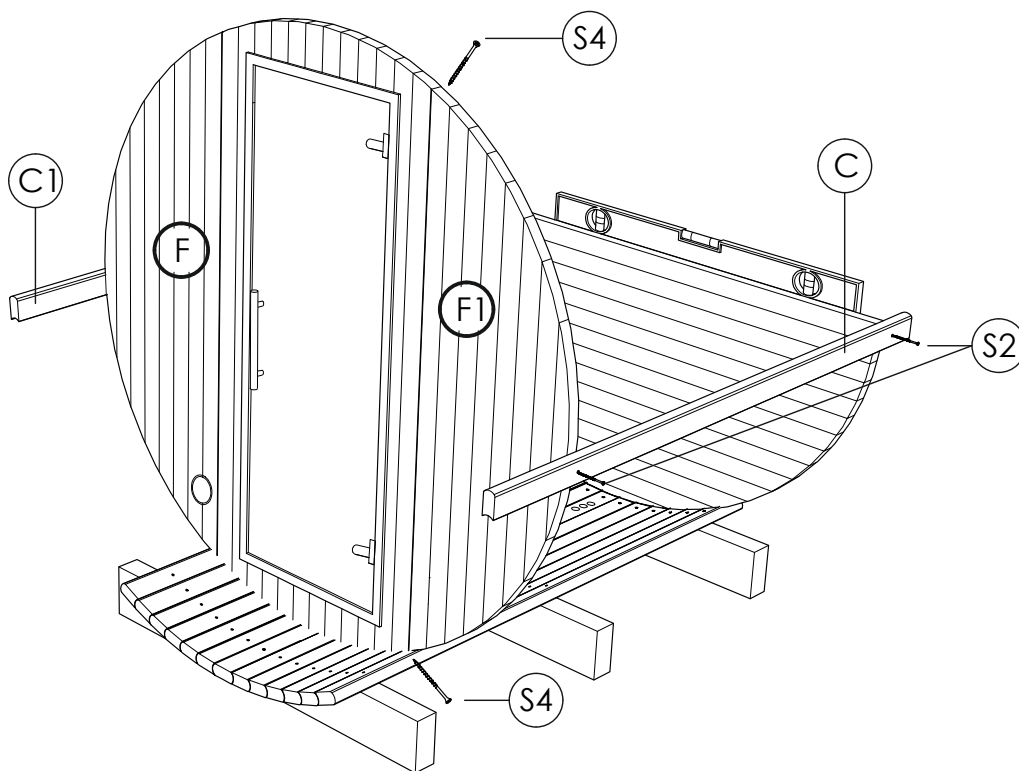
STEP 5: Place door panel (F2) in front stave groove. Be sure panel is centered, leveled, completely seated. Fix it with 2 screws 5.0 x 120 (S4) on each side of last stave from underneath. For safety reasons one person should hold door panel.



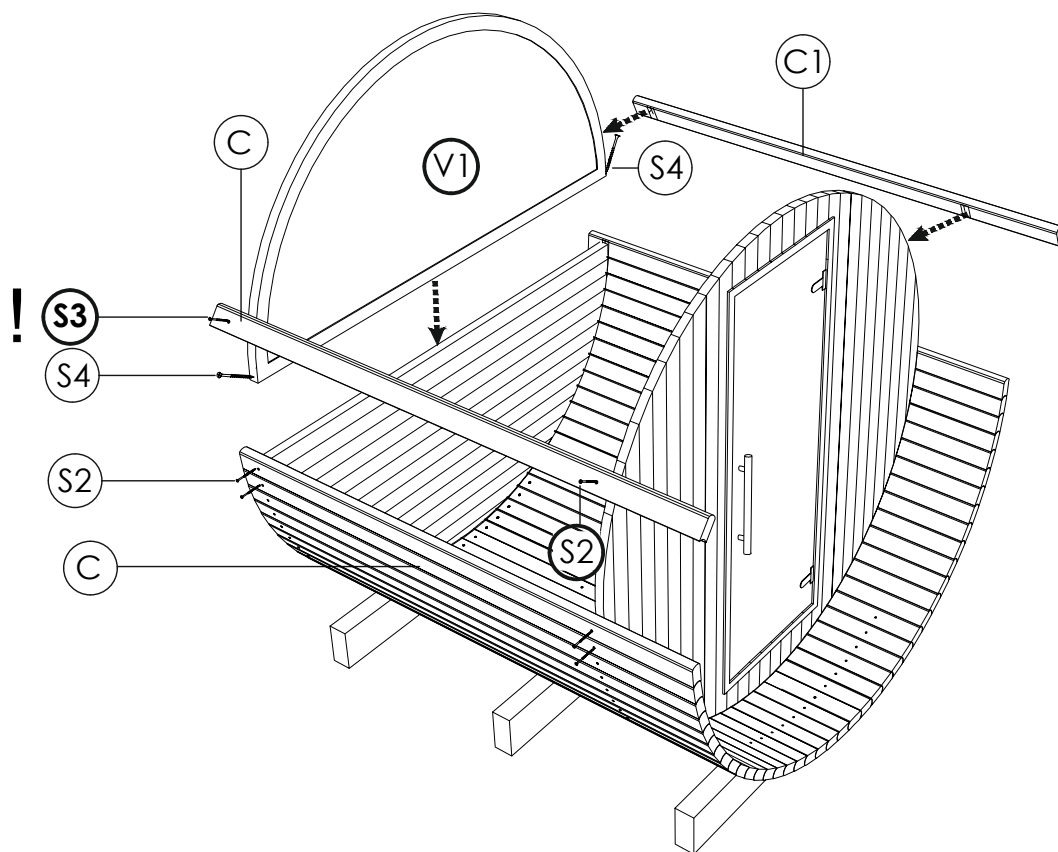
STEP 6: Attach side panel (F) using 4 5.0 x 120 (S4) screws. One person still holds door panel. Place body stave (C) on rear and front panel to connect both panels using 4.0 x 70 SS (S2) screws. Check panel level before fix them. These panels must be completely seated into the floor groove. Fix ventilation grill from inside on ventilation cuts.



STEP 7: Attach side panel (F1) using 4 5.0 x 120 (S4) screws. One person still holds door panel. Place body stave (C) on rear and front panel to connect both panels using 4.0 x 70 SS (S2) screws. Check panel level before fix them. These panels must be completely seated into the floor groove. Continue placing body staves (C,C1) tightly on both sides of the sauna using rubber mallet to tighten gaps.

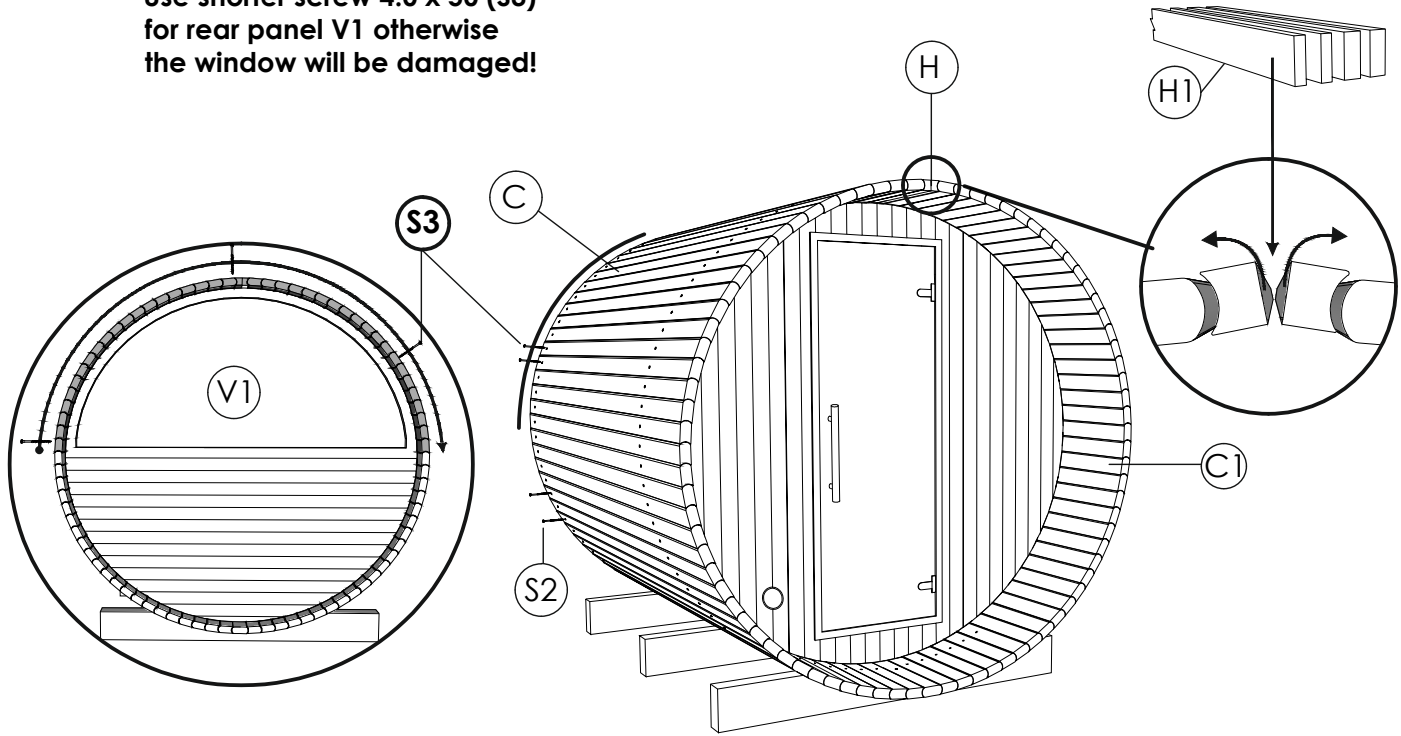


STEP 8: Place body staves (C) until the halfway point. Place rear panel with panoramic window (V1) on bottom rear panel (V), fix by 2 screws 5.0 x 120 (S4). Bind panels (F;F2; V1) together by temporarily placing two body staves (C) on each side.

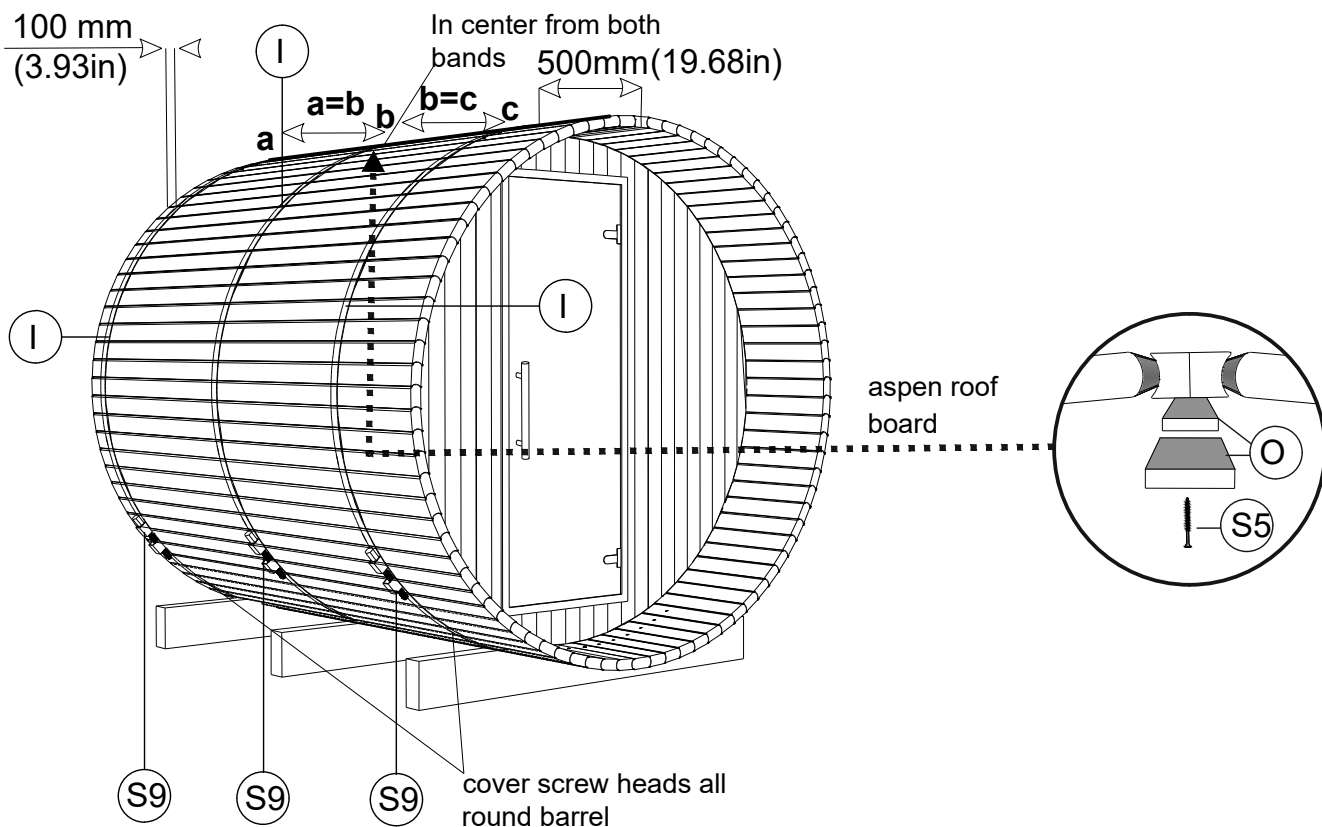


STEP 9: Continue placing body staves (C) tightly on both sides of the sauna using rubber mallet, while 4.0 x 50 screws (S3) to prevent glass breakage. To finish the roof top joint, use roof finishing item (H). Different thickness filling peaces (H1) are provided to completely fill the gap.

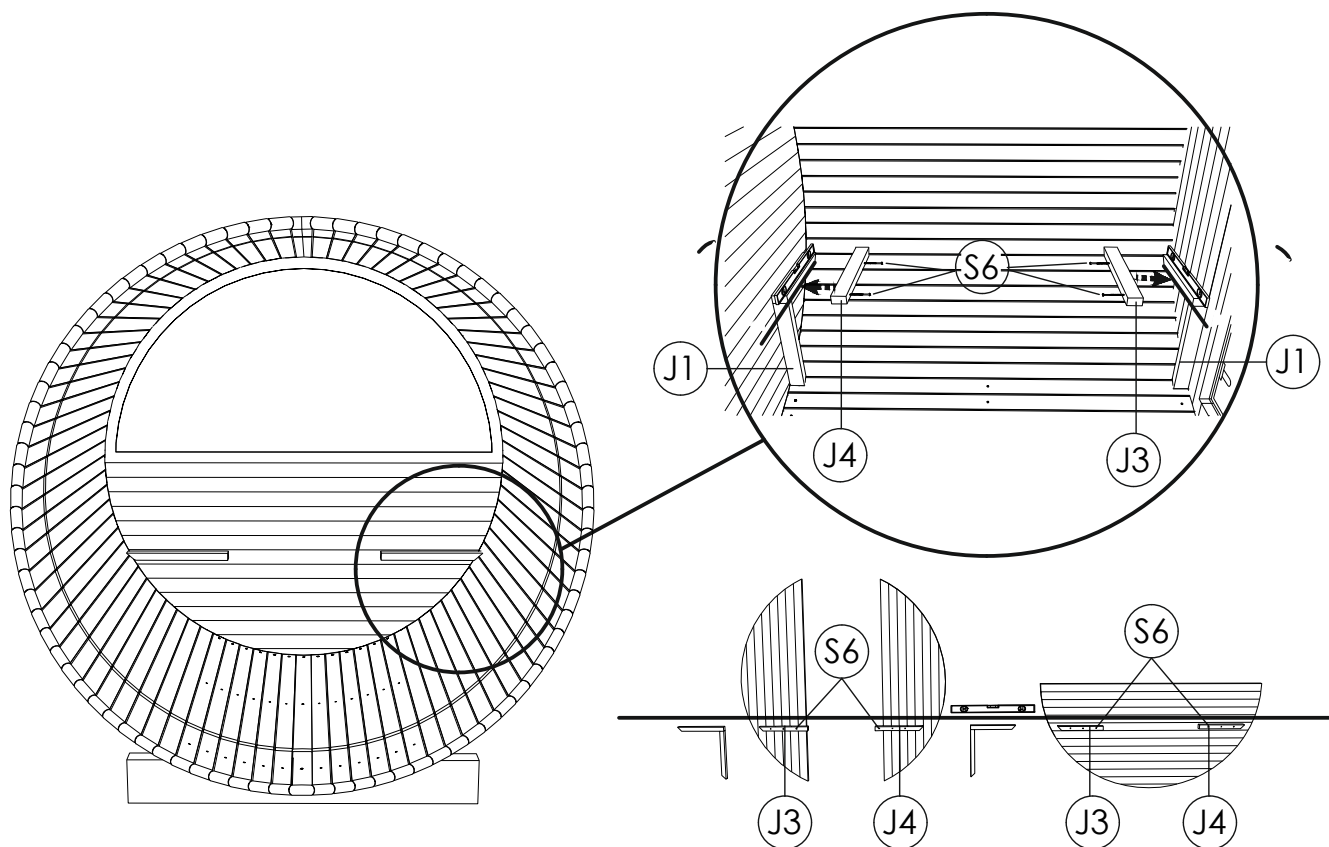
WARNING!
Use shorter screw 4.0 x 50 (S3) for rear panel V1 otherwise the window will be damaged!



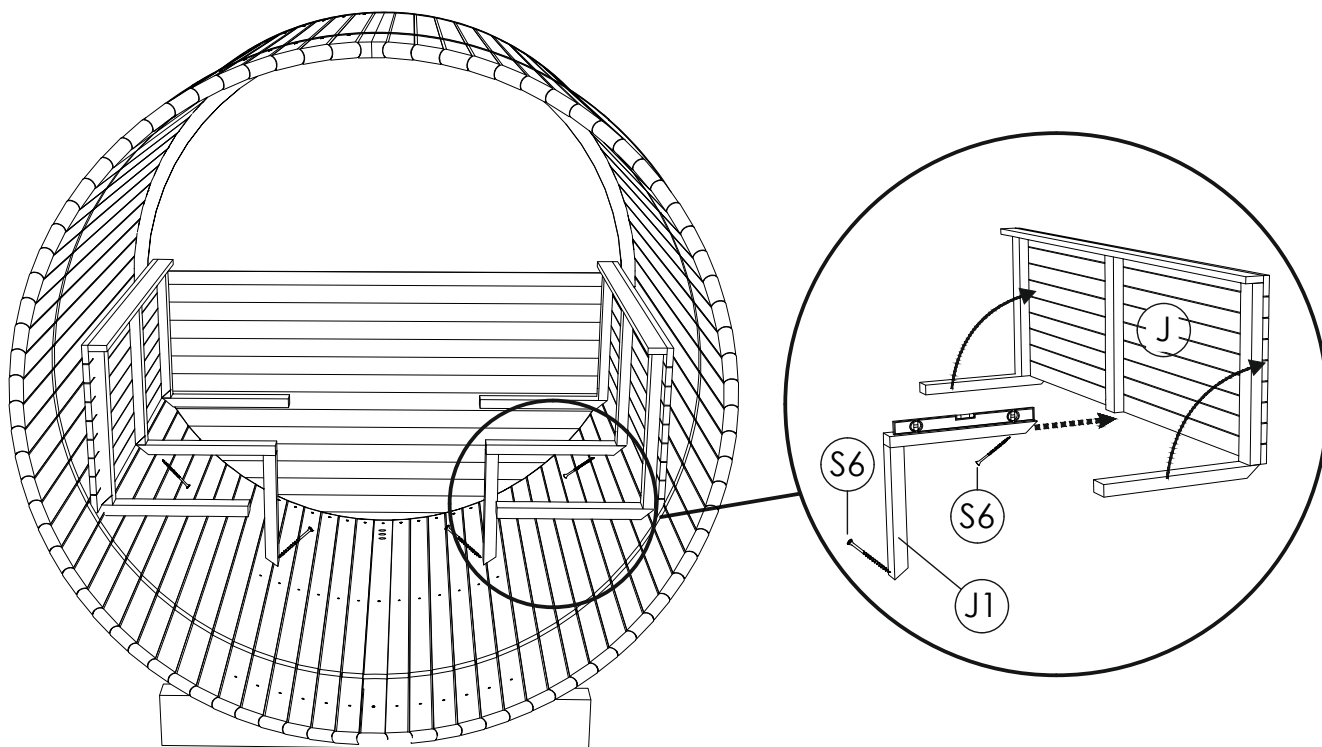
STEP 10: Install steel bands (I) by wrapping bands around barrel prior to connecting with bolts and nuts (S9). Place steel bands evenly around barrel, covering screw heads. Measure steel band to barrel edge to ensure the steel band is even all around barrel. Install interior aspen roof trim (O) with 4.0 x 50 SS (S5) screws.



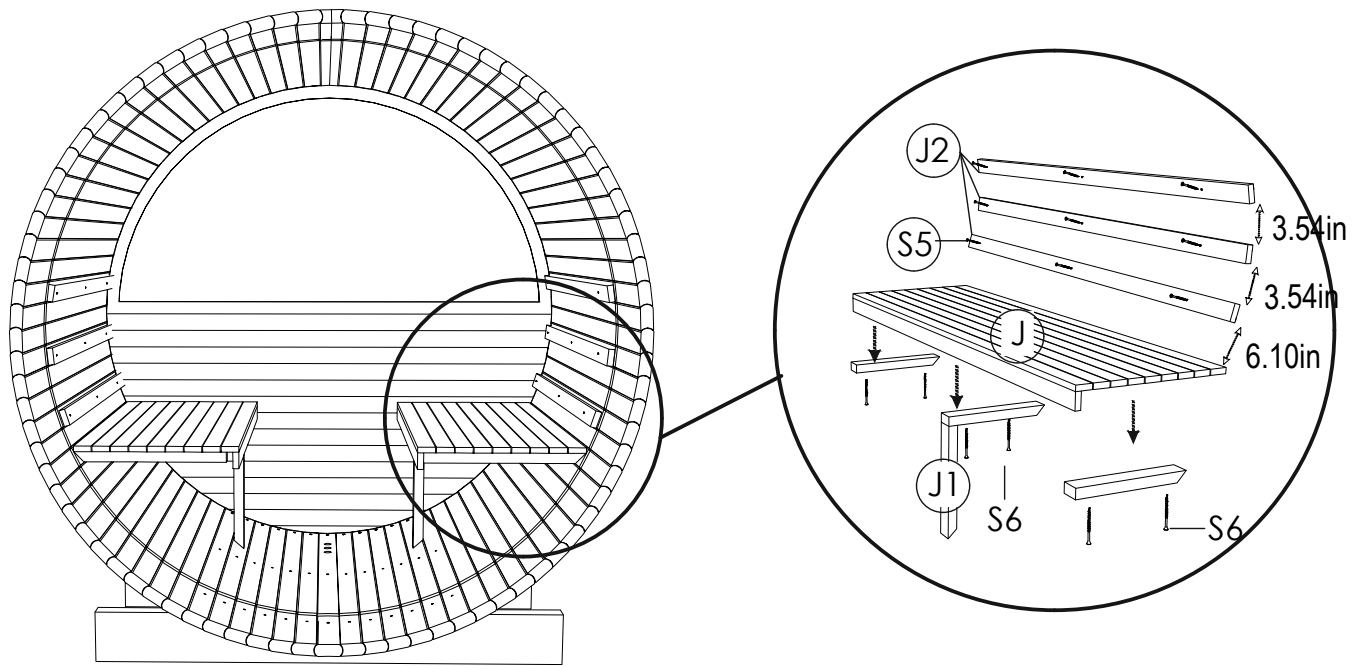
STEP 11: To install wall mounts (J3, J4) use interior supporting leg (J1). Put it on the sauna wall in level, mark a line where wall mounts will stand. Using screw 5.0x70 SS (S6) fix wall mounts(J3, J4) on the marked lines.



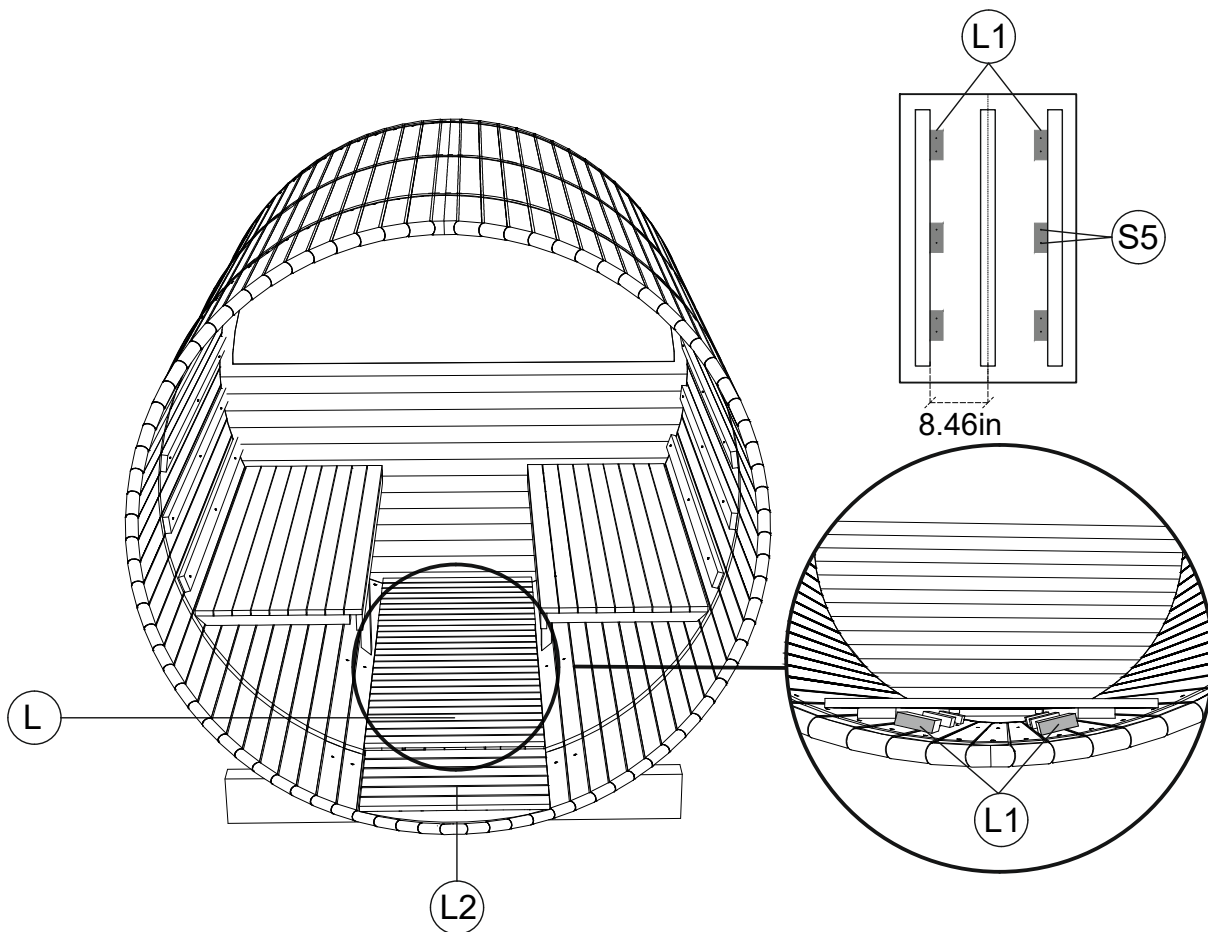
STEP 12: Install interior supporting leg (J1) in the center of bench (J). Stand bench on side wall mounts. Place J1 in the center and check the level. Using screw 5.0 x 70 SS (S6) fix bench leg to the wall and floor.



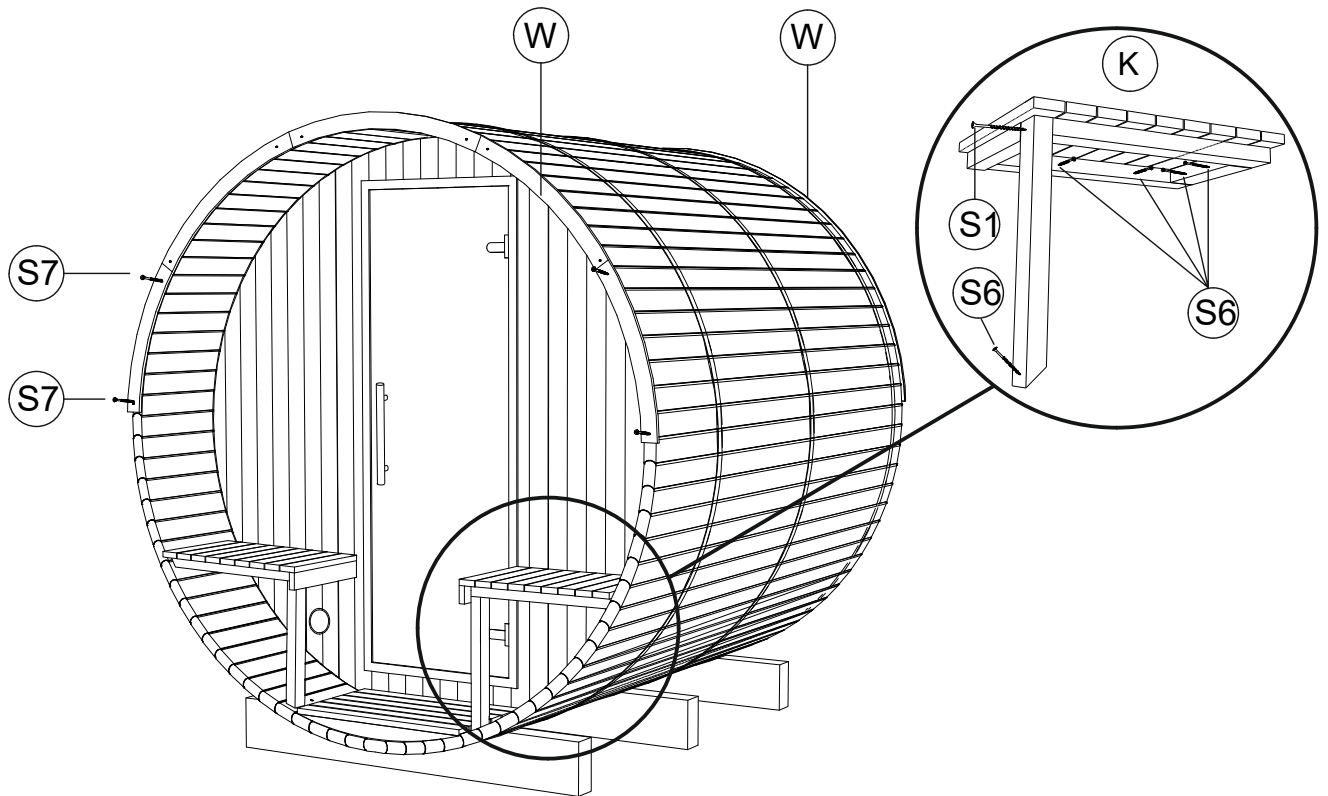
STEP 13: Install backrests (J2) at your chosen height using screw 4.0 x 50 SS (S5). Fix sauna bench (J) to wall mounts and support leg using 5 x70 SS (S6) screws.



STEP 14: Install fixing blocks (L1) under floor duckboard. Place floor duckboards (L).



STEP 15: Install front and rear decorative roof finishing boards (W), fixing by screws 4.2x55(S7). Install porch benches (K),using screws 5.0 x 70 SS (S6) and 5.0 x 100 SS (S1). Hold the seat and leg assembly tight to the sauna wall. Using a level,make sure the bench seat is level from front to back. This will ensure proper placement.



STEP 16: Place waterproof roof cover (Z) and fix it with wooden slat (Z1) and screws 4.0 x 50 (S7).

