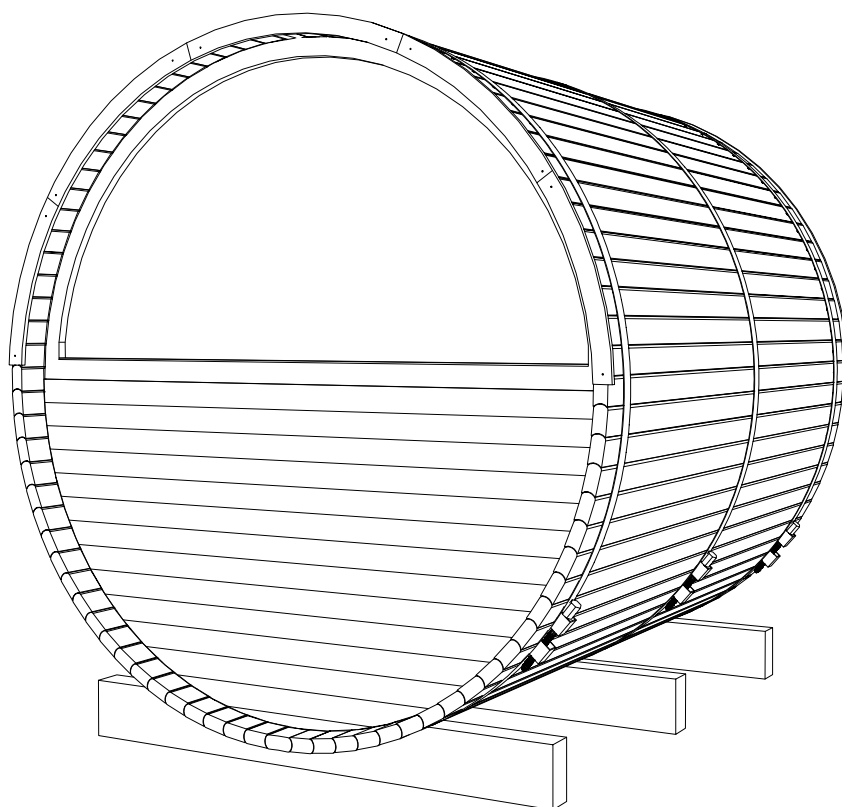
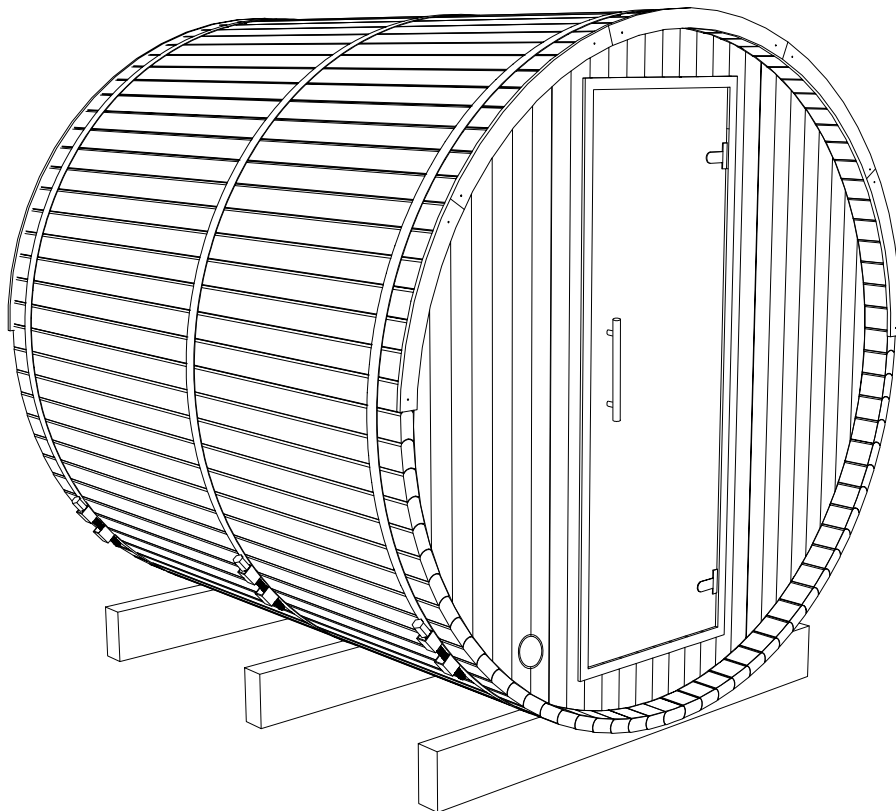


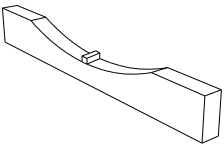
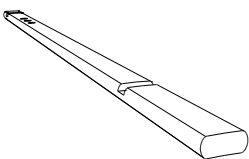
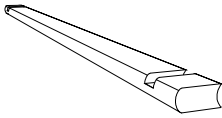
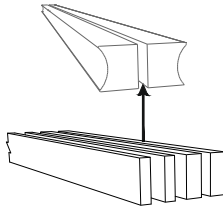
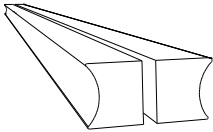
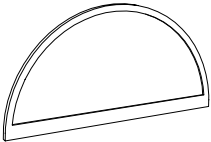
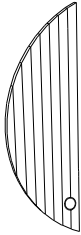
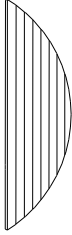
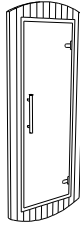
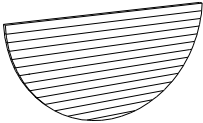
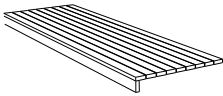
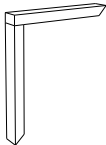
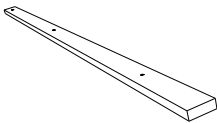
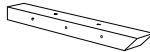
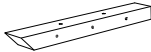
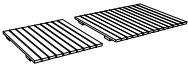
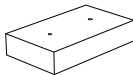
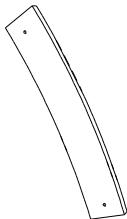
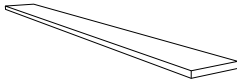
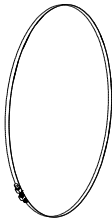
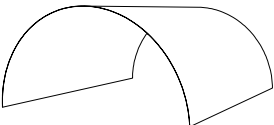
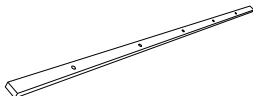



# BARREL SAUNA

## ASSEMBLY INSTRUCTION







MODEL: RP-229-223(No 62)

**PART LIST**

<p><b>A</b> x3</p> 	<p><b>B</b> x1</p> 	<p><b>A</b> x90</p> 	<p><b>H1</b> x4</p> 	<p><b>H</b> x2</p> 
cradle	center stave	left side body stave	different thickness Filling peaces	final H tipe stave at the top
<p><b>V1</b> x1</p> 	<p><b>F</b> x1</p> 	<p><b>F1</b> x1</p> 	<p><b>F2</b> x1</p> 	<p><b>V</b> x1</p> 
upper rear panel	left panel section	right panel section	door panel	bottom rear panel
<p><b>J</b> x2</p> 	<p><b>J1</b> x2</p> 	<p><b>J2</b> x6</p> 	<p><b>J4</b> x2</p> 	<p><b>J3</b> x2</p> 
sauna bench	supporting leg	backrest stave	wall mount	wall mount
<p><b>L</b> x2</p> 	<p><b>L1</b> x6</p> 	<p><b>W</b> x10</p> 	<p><b>O</b> x1</p> 	<p><b>I</b> x3</p> 
Flooring duckboard	Fixing block for Flooring duckboard	decorative roof Finishing board	aspen roof board	metal band
<p><b>Z</b> x1</p> 	<p><b>Z1</b> x2</p> 	<p><b>S1</b> x50</p> 	<p><b>S2</b> x150</p> 	<p><b>S7</b> x25</p> 
Waterproof roof cover	Slat for roof cover	screw 5.0x100 SS	screw 4.0x70	screw 4.2x55 brown

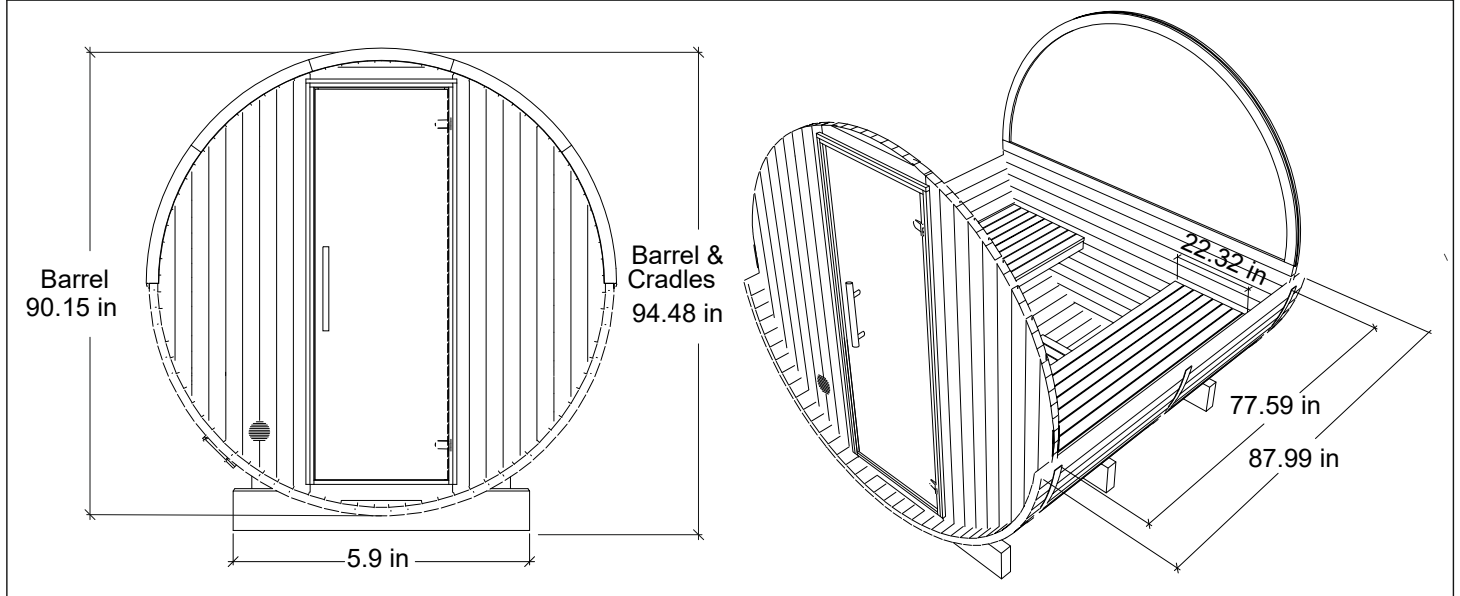
# PART LIST

<b>S3</b> x50  	<b>S4</b> x8  	<b>S5</b> x40  	<b>S6</b> x30  	
screw 4.0x50	screw 5.0x120	screw 4.0x50 SS	screw 5.0x70 SS	







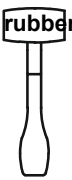


<b>S9</b> x3 + x3 + x6  				
---	--	--	--	--

bolt ø12x140	hex nut M12 (SW19)	Flat washer		
-----------------	-----------------------	-------------	--	--

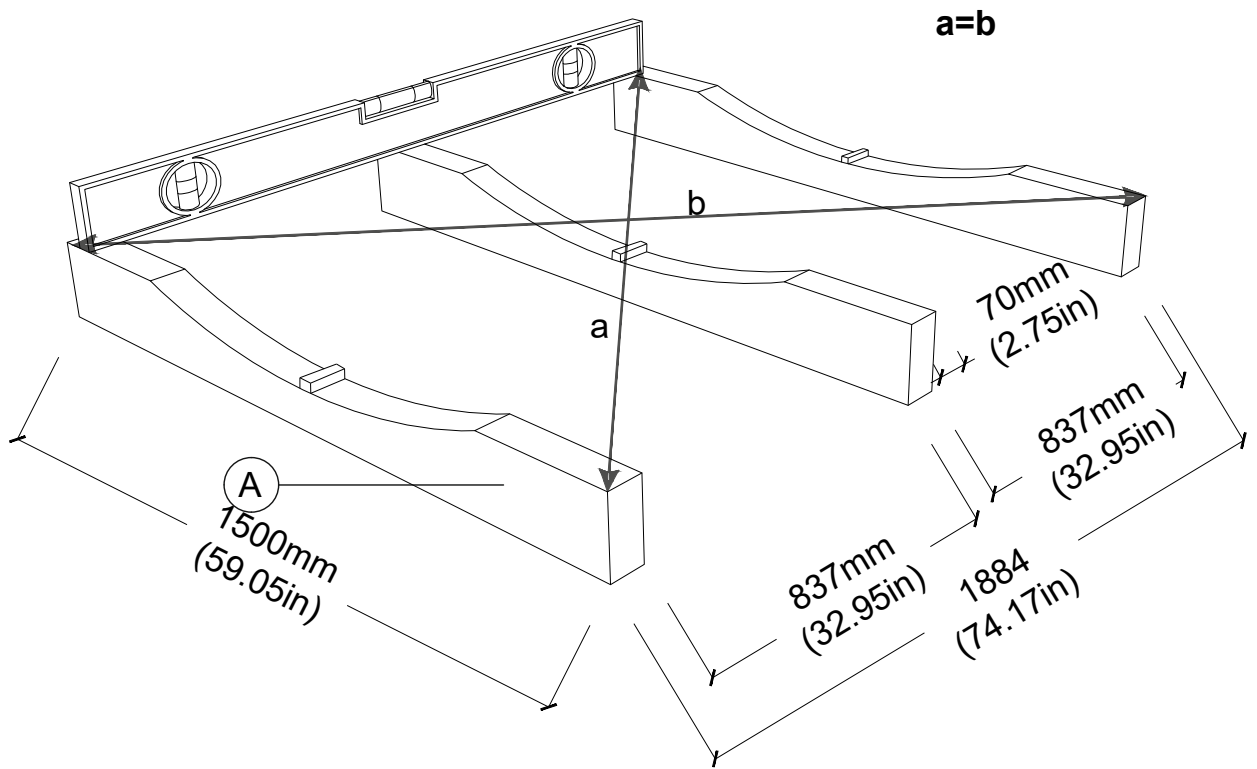
## BARREL DIMENSIONS



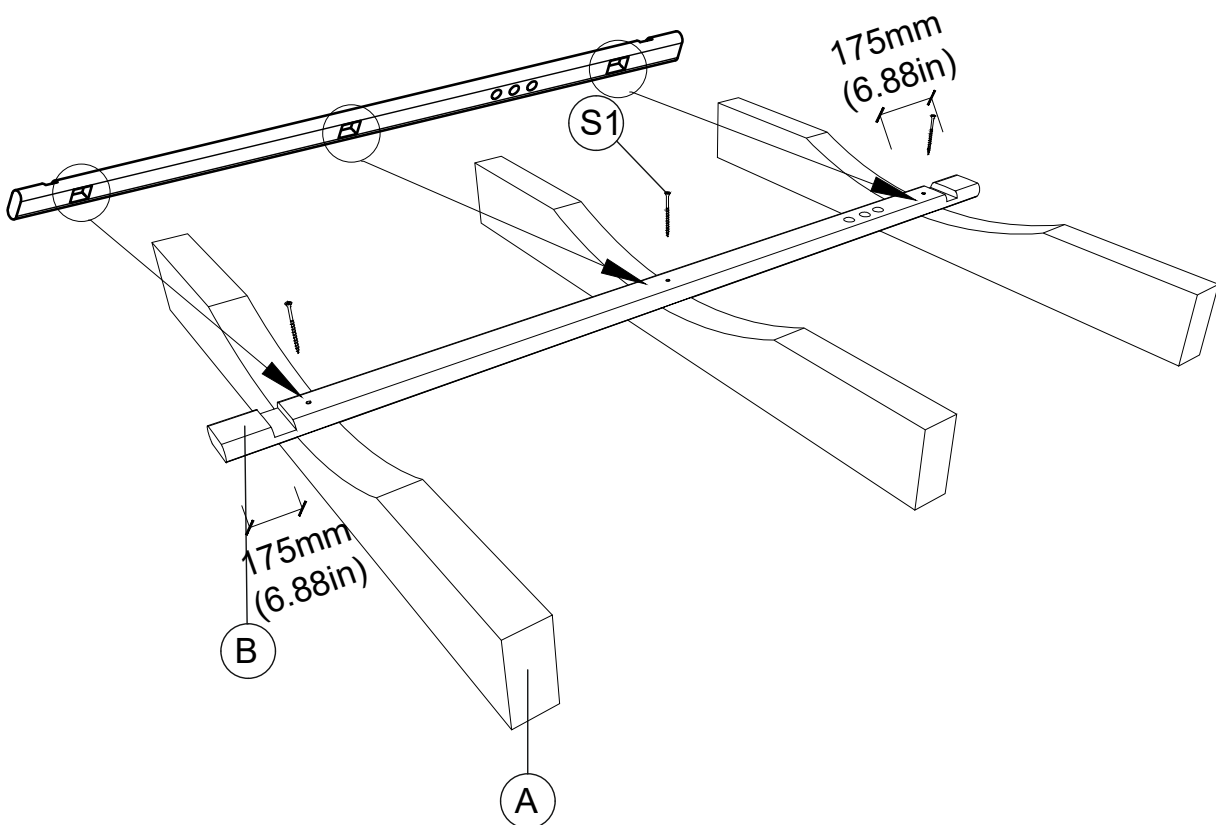
RECOMMENDATION	TOOLS REQUIRED
----------------	----------------

 2 person recommended	       
---	---

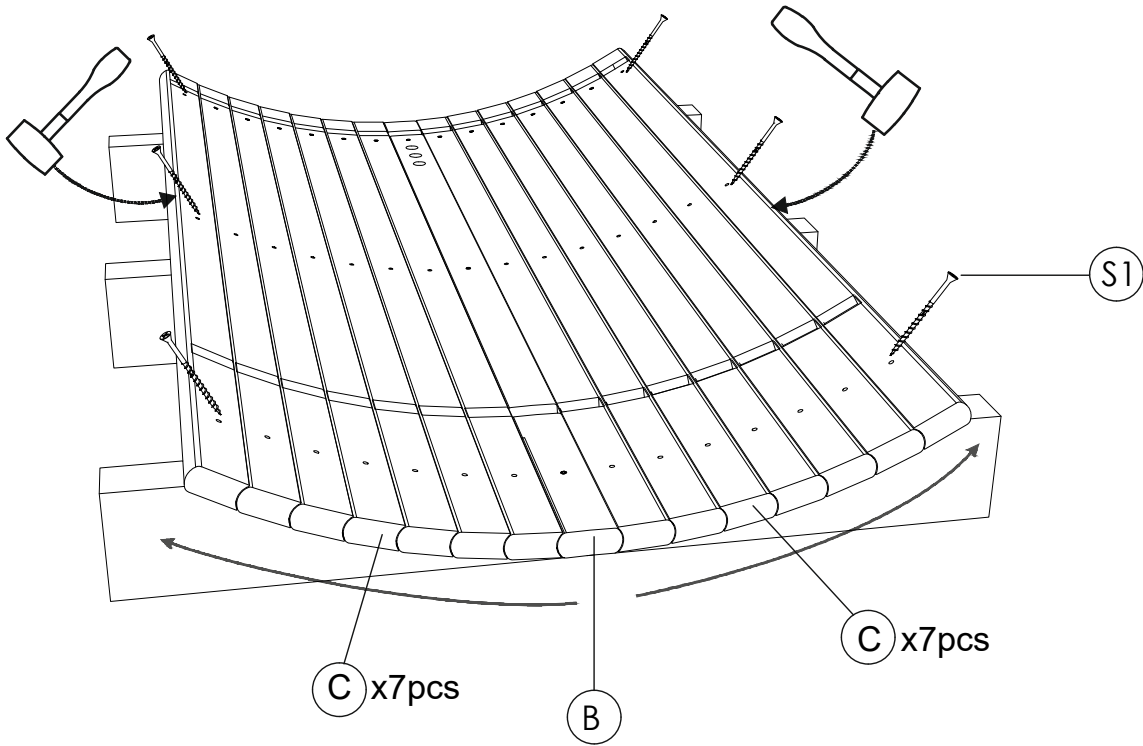
STEP 1: Measure support cradles (A) diagonally from corner to corner. Measurements “a” and “b” should be equal to ensure the cradles are square. Be sure cradles remain level.



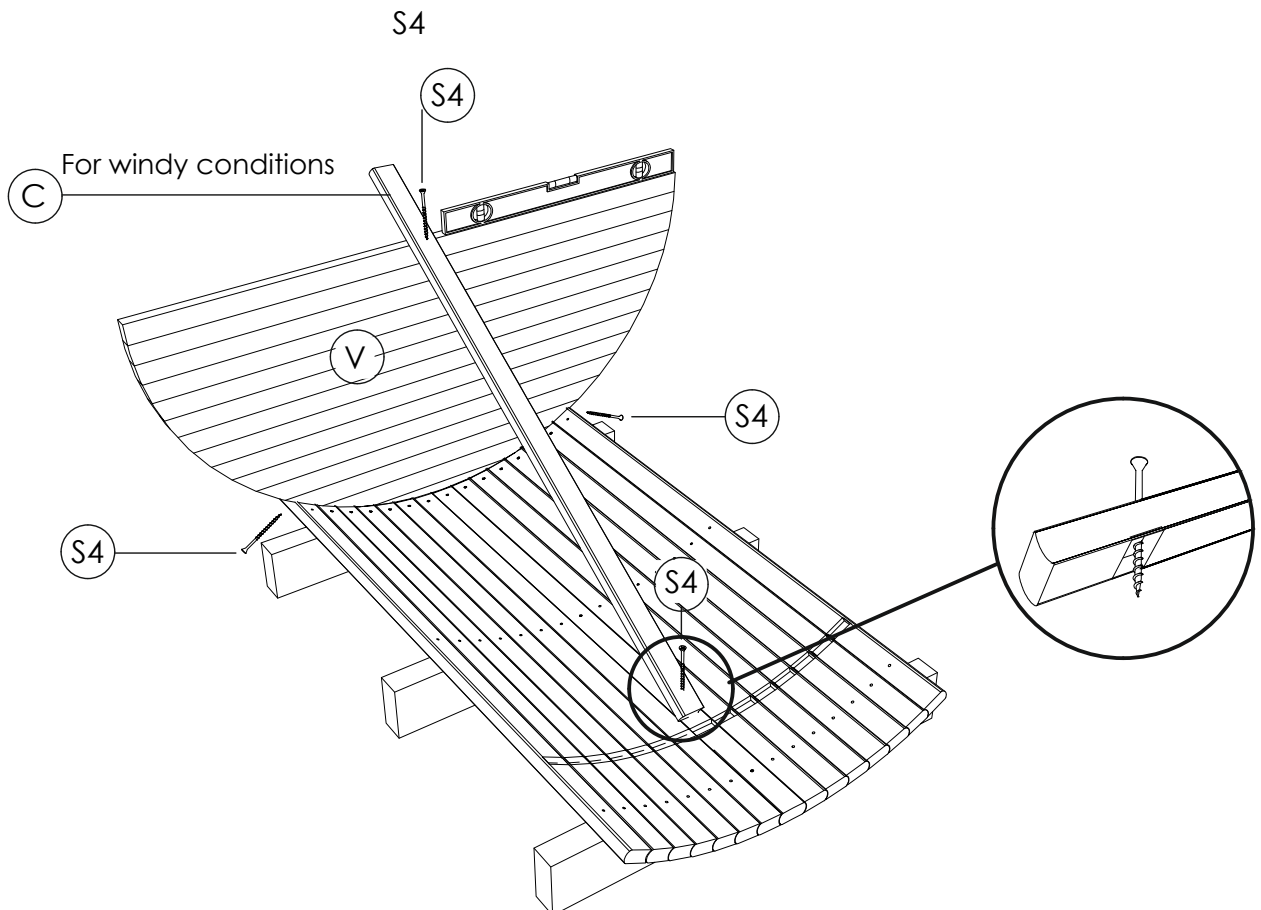
STEP 2: Place the support cradles (A) on level site. Carefully level for better stability. Place the center stave (B) on wooden dowels embedded in outer support cradles (A). Fix the center stave (B) with 5.0x100 SS(S1).



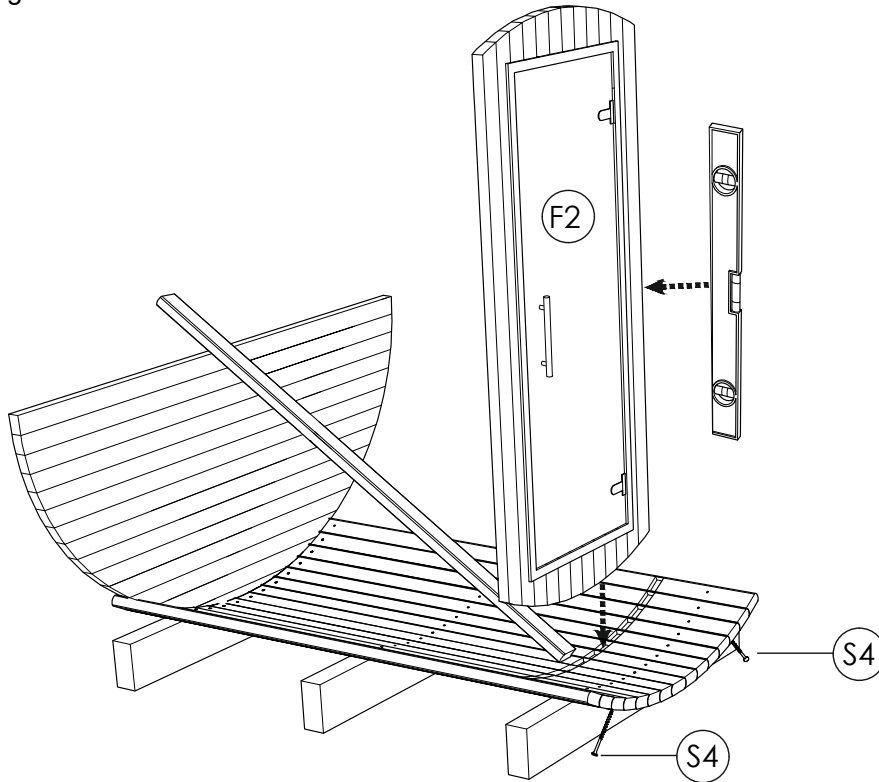
STEP 3: Place 7 sauna body staves (C) to each side of the center stave (B) and fix with screws 5.0x100 SS (S1). Be sure to align the panel groove on every next body stave, to do that use rubber hammer.



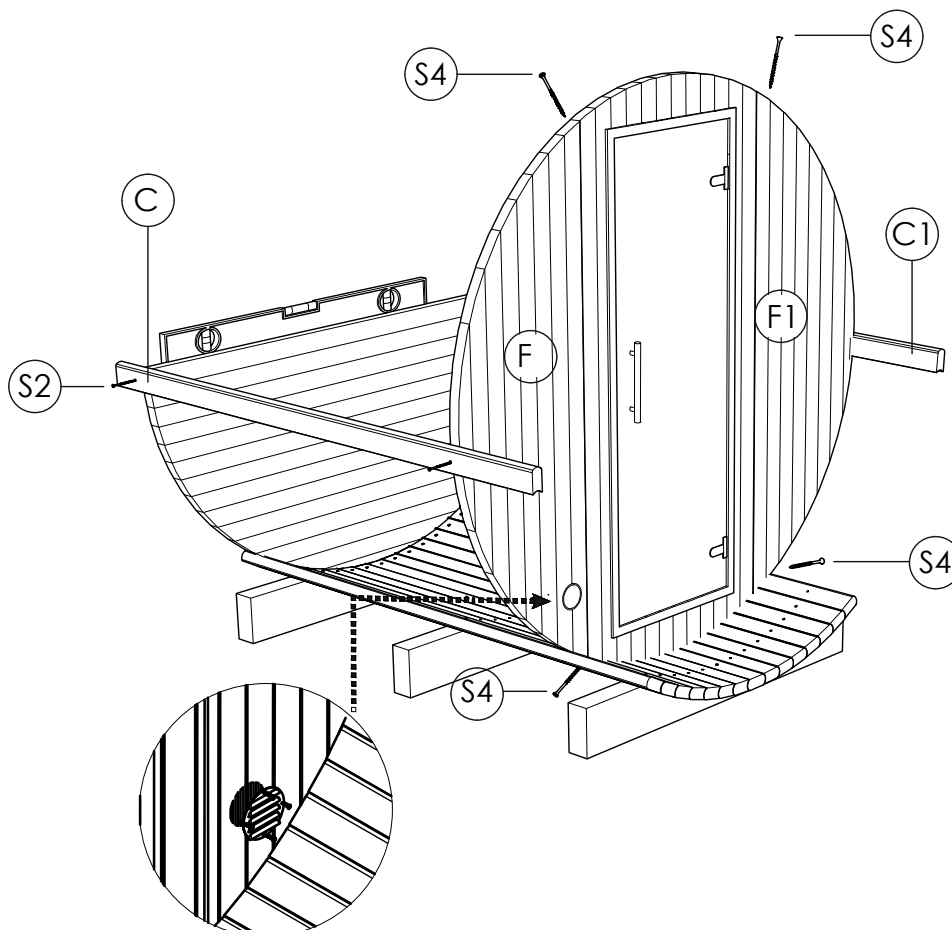
STEP 4: Place rear panel (V) in stave groove, be sure panel is centered, leveled, completely seated. Fix panel using 5.0 x 120 (S4) screws through last floor stave on both sides.



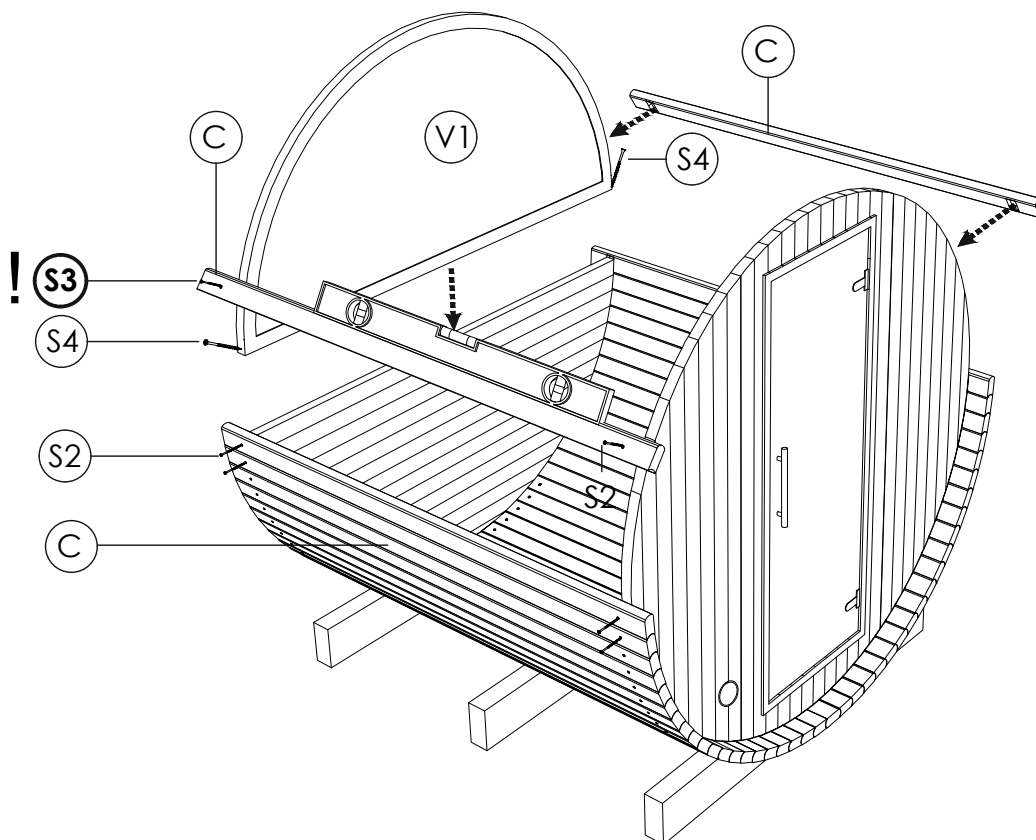
**STEP 5:** To install the door panel (F2), place it in the groove in front of the stave. Make sure that the panel is centered, level, and completely seated. Then, use two screws (S4) that are 5.0 x 120 in size to fix it on each side of the last stave from underneath. For safety purposes, it is recommended that one person hold the door panel while it is being fixed.



**STEP 6:** Attach side panel (F) using 4 5.0 x 120 (S4) screws. One person still holds door panel. Place body stave (C) on rear and front panel to connect both panels using 4.0 x 70 SS (S2) screws. Check panel level before fix them. These panels must be completely seated into the floor groove. Fix ventilation grill from inside on ventilation cuts.

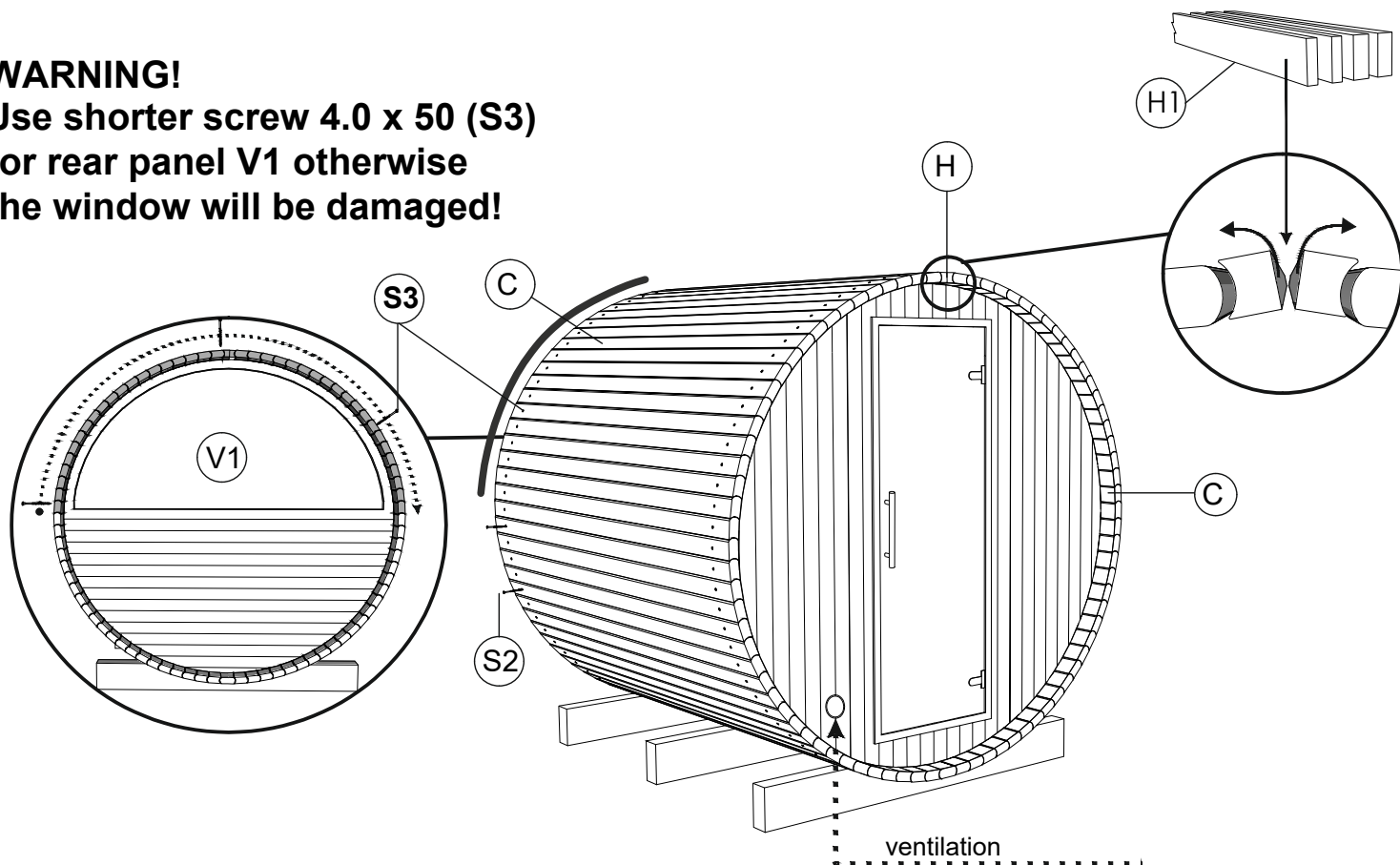


STEP 7: Put the body staves (C) in place up to the midpoint. Then, take the rear panel with the panoramic window (V1) and position it onto the bottom rear panel (V). Use two 5.0 x 120 screws (S4) to secure it. Connect the panels (F; F2; V1) by temporarily putting two body staves (C) on each side.

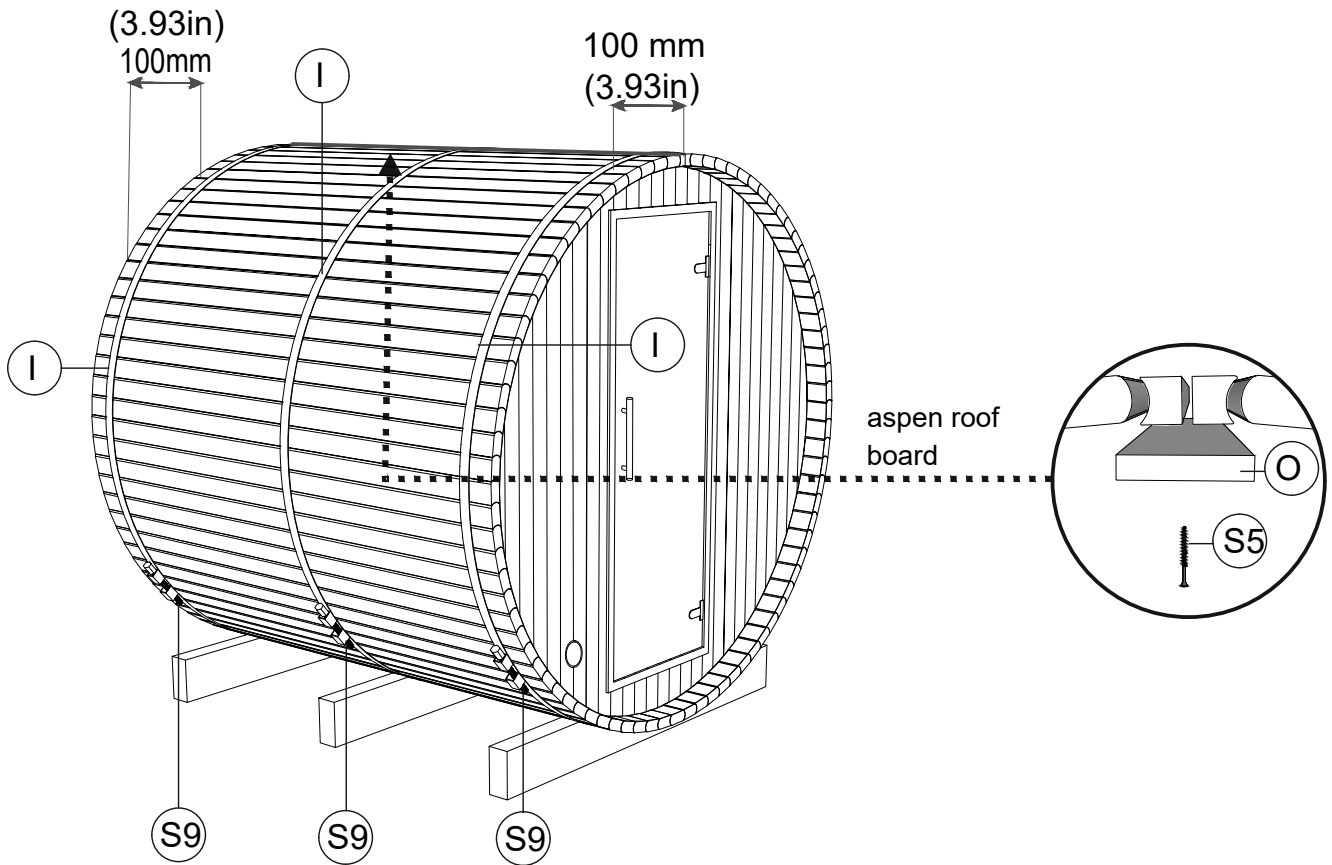


STEP 8: To complete the sauna assembly, continue to tightly place body staves (C) on both sides using a rubber mallet. Secure the body staves on the front panel with 4.20x70 screws (S2) and attach the rear window panel (V1) with 4.0 x 50 screws (S3) to prevent glass from breaking. For the rooftop joint, use the roof finishing item (H) and fill any gaps with the provided filling pieces of varying thickness (H1).

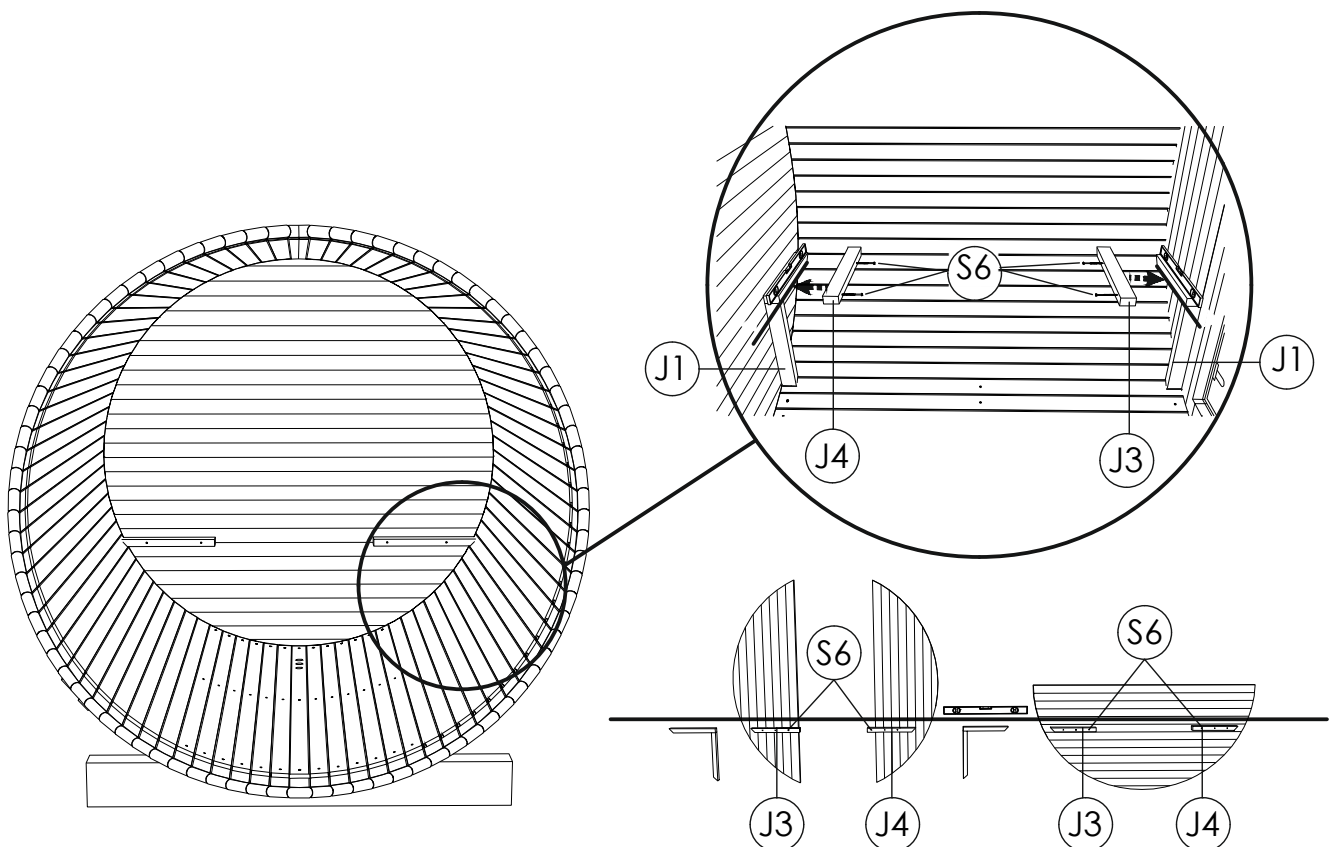
**WARNING!**  
**Use shorter screw 4.0 x 50 (S3)**  
**for rear panel V1 otherwise**  
**the window will be damaged!**



STEP 9: Install steel bands (I) by wrapping bands around the barrel, then connect with bolts and nuts (S9). Place steel bands evenly around the barrel approx 90-100mm from both sides, covering screw heads. The middle band should be evenly placed from both bands. Install interior aspen roof trim (O) in sauna with 4.0 x 50 SS (S5) screws.

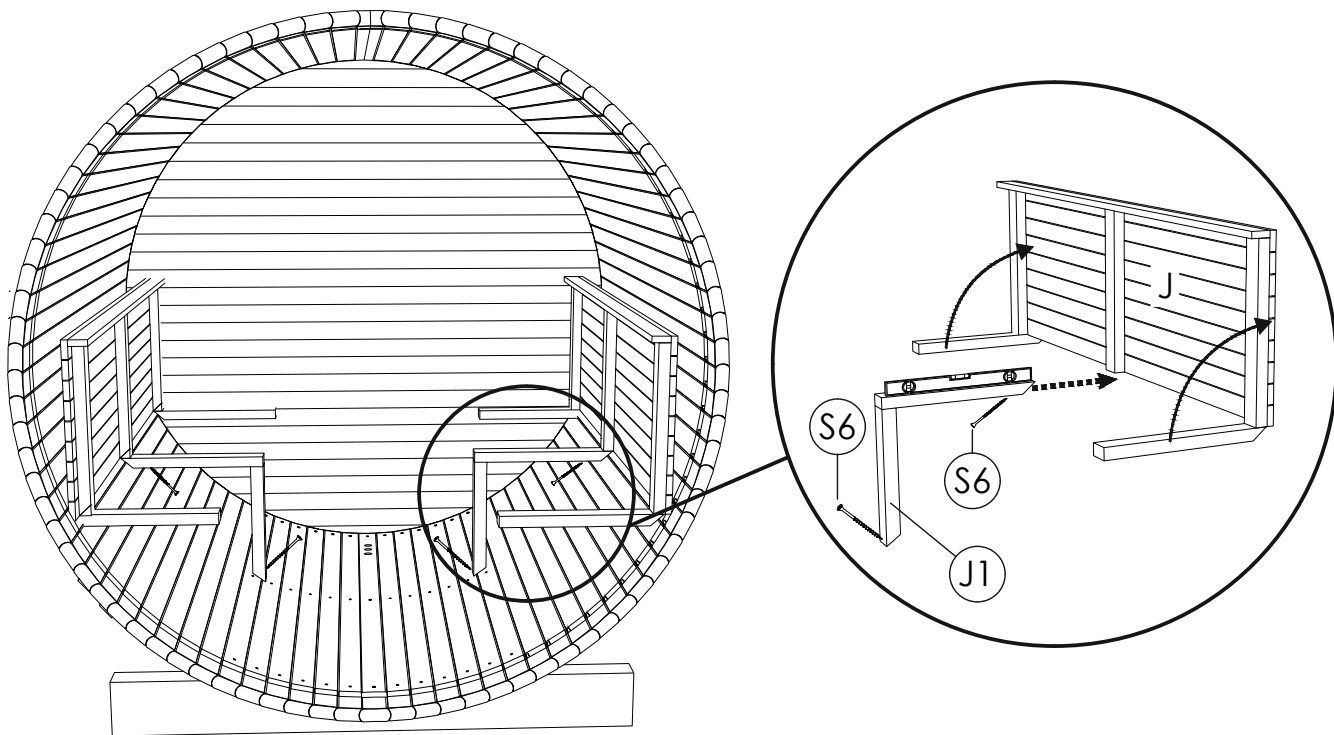


STEP 10: To install wall mounts (J3, J4) use interior supporting leg (J1). Put it on the sauna wall in level, mark a line where wall mounts will stand. Using screw 5.0x70 SS (S6) fix wall mounts (J3, J4) on the marked lines.

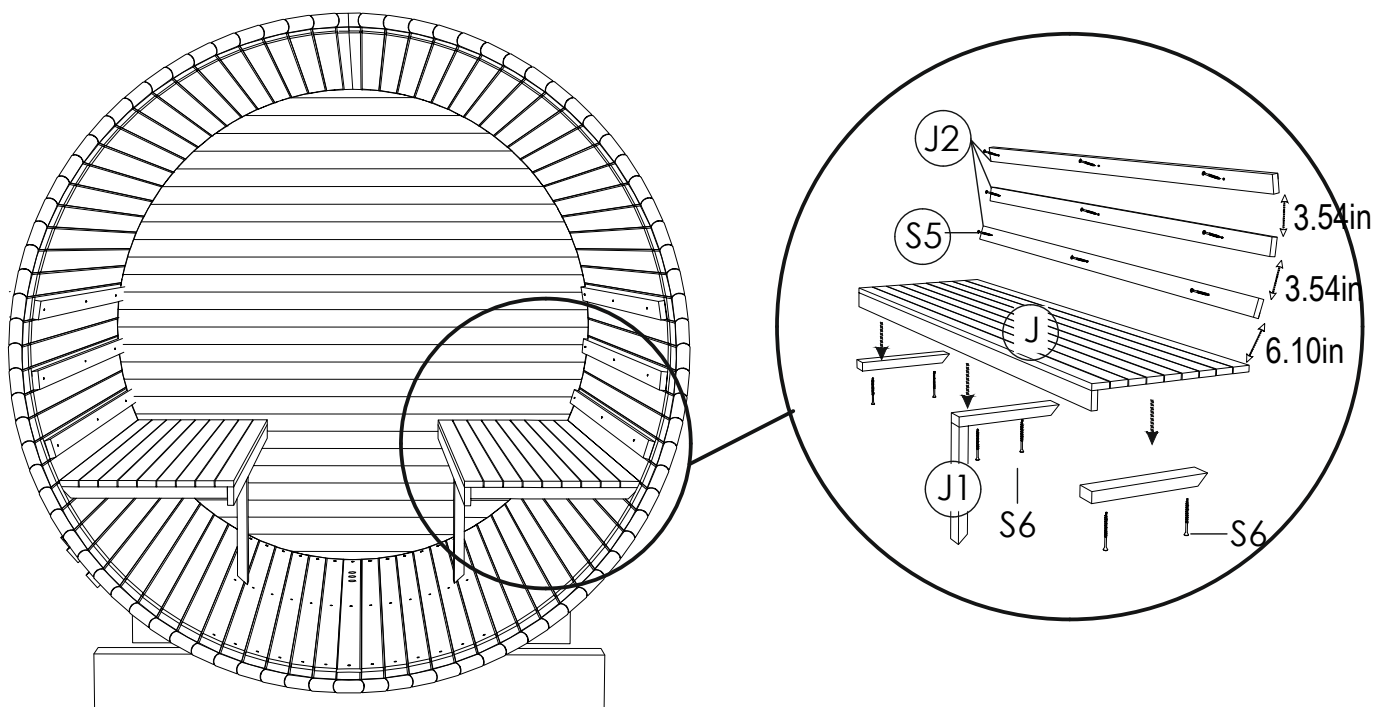




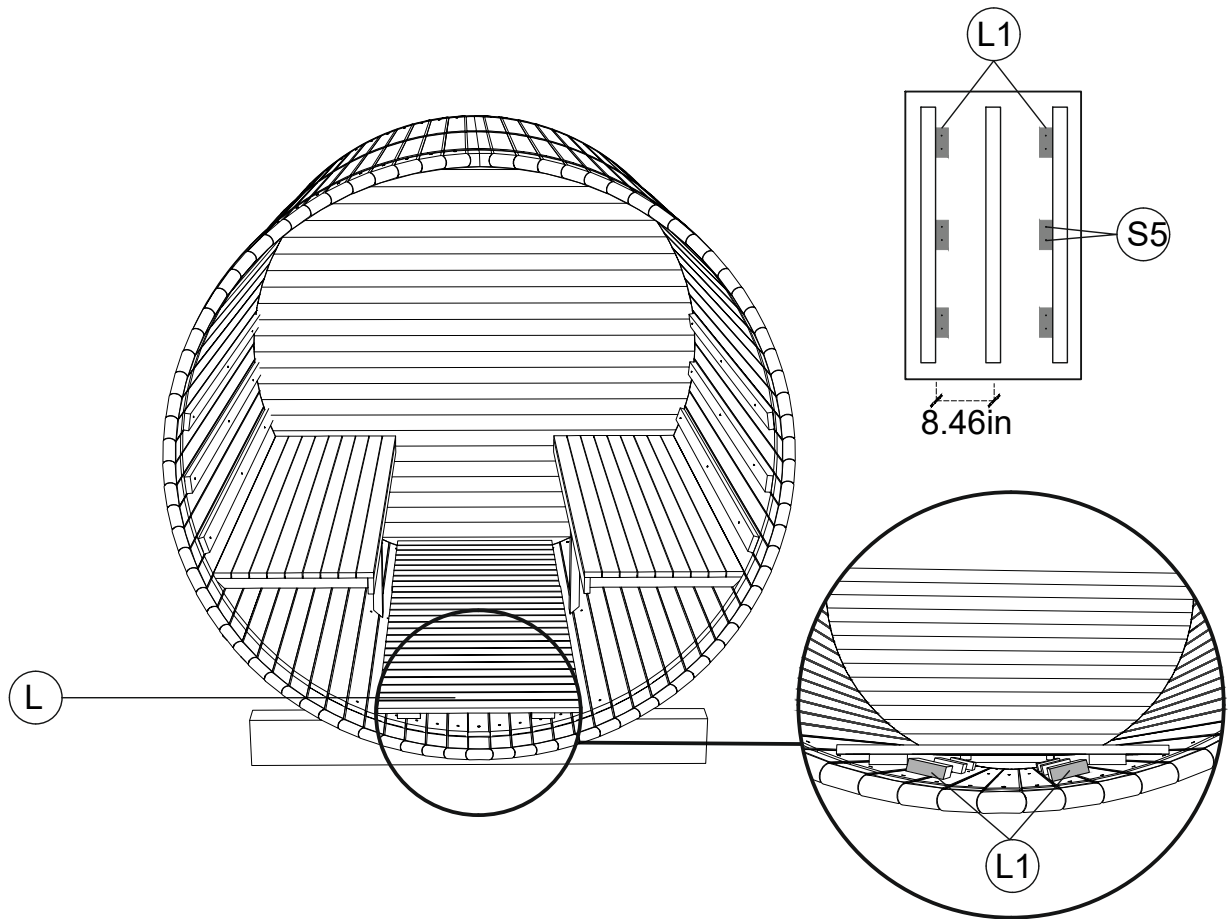
**STEP 11:** Install interior supporting leg (J1) in the center of bench (J). Stand bench on side wall mounts. Place J1 in the center and check the level. Using screw 5.0 x 70 SS (S6) fix bench leg to the wall and floor.



**STEP 12:** Install backrests (J2) at your chosen height using screw 4.0 x 50 SS (S5). Fix sauna bench (J) to wall mounts and support leg using 5 x 70 SS (S6) screws.



STEP 13: Install fixing blocks (L1) under floor duckboard. Place floor duckboards (L).



STEP 14: Place waterproof roof cover (Z) and fix it with wooden slat (Z1) and screws 4.0 x 50 (S7). Install front and rear decorative roof finishing boards (W), fixing by screws 4.2x55(S7).

