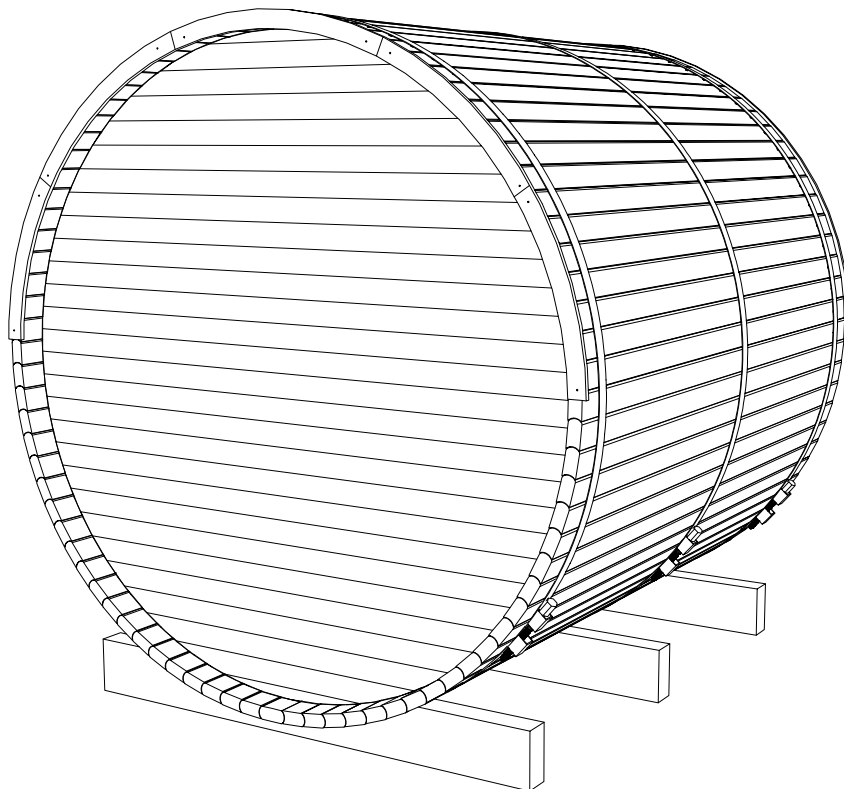
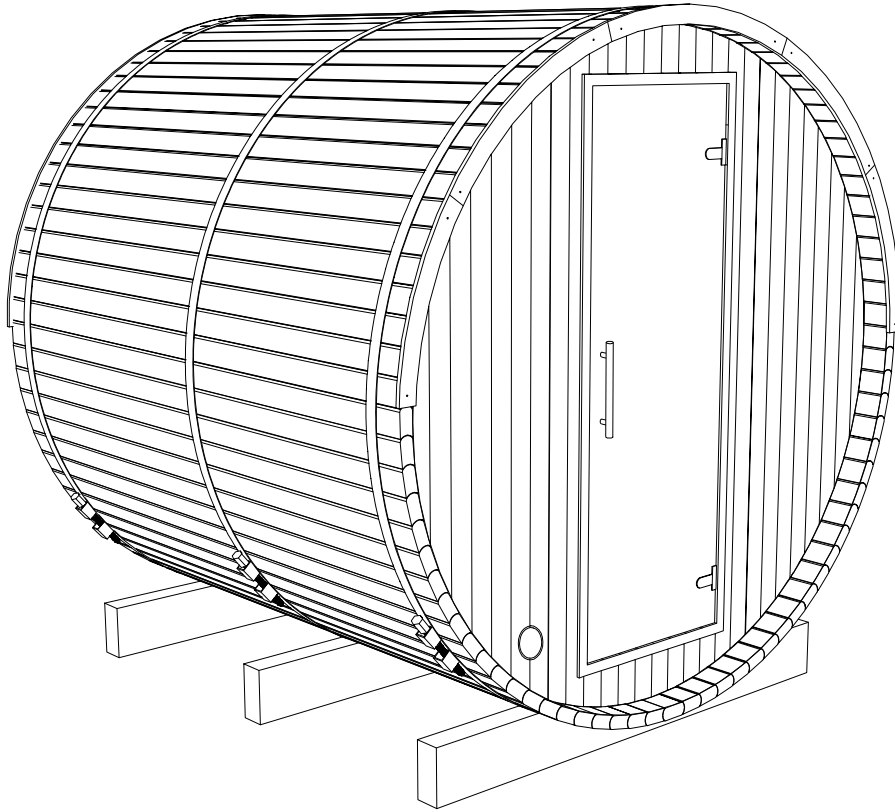


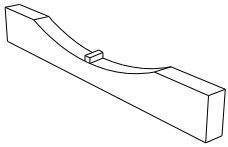
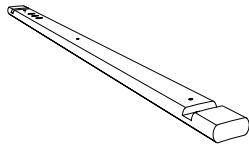
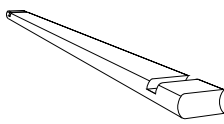
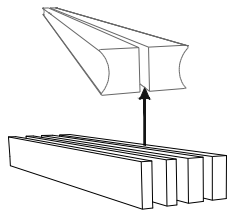
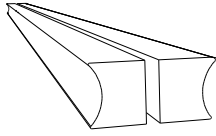
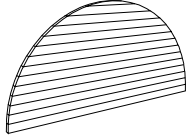
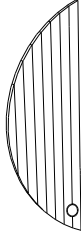

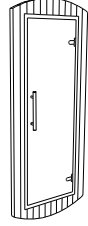
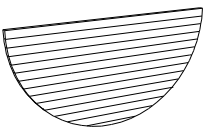
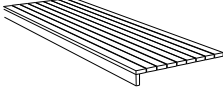
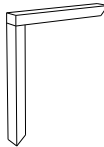
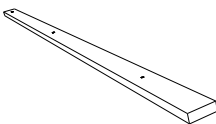
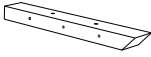
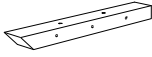
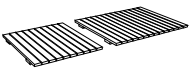
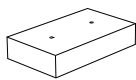
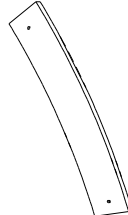
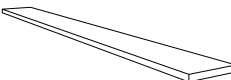
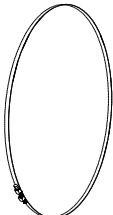
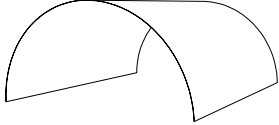
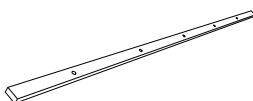



BARREL SAUNA

ASSEMBLY INSTRUCTION




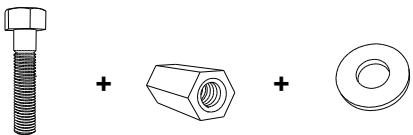


MODEL: R-229-223 (No63)

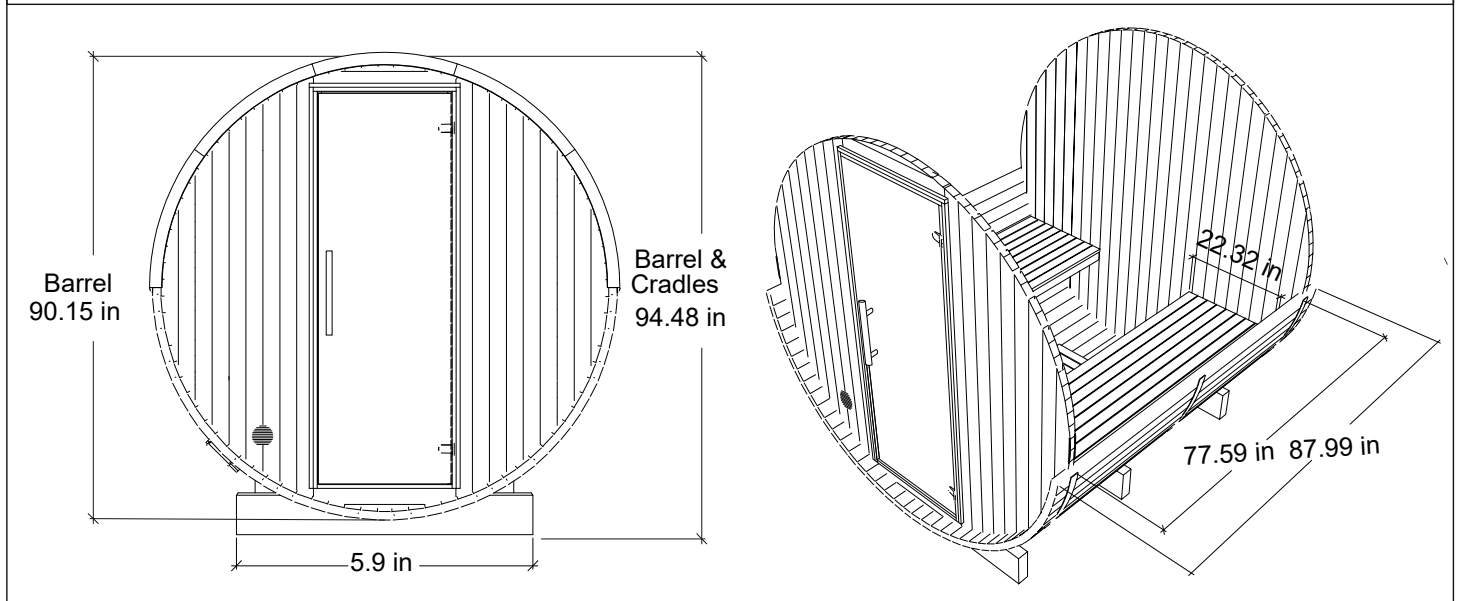
PART LIST

<p>A x3</p> 	<p>B x1</p> 	<p>A x90</p> 	<p>H1 x4</p> 	<p>H x2</p> 
cradle	center stave	left side body stave	different thickness Filling peaces	final H tipe stave at the top
<p>V3 x1</p> 	<p>F x1</p> 	<p>F1 x1</p> 	<p>F2 x1</p> 	<p>V x1</p> 
upper rear panel	left panel section	right panel section	door panel	bottom rear panel
<p>J x2</p> 	<p>J1 x2</p> 	<p>J2 x6</p> 	<p>J4 x2</p> 	<p>J3 x2</p> 
sauna bench	supporting leg	backrest stave	wall mount	wall mount
<p>L x2</p> 	<p>L1 x6</p> 	<p>W x10</p> 	<p>O x1</p> 	<p>I x3</p> 
Flooring duckboard	Fixing block for Flooring duckboard	decorative roof Finishing board	aspen roof board	metal band
<p>Z x1</p> 	<p>Z1 x2</p> 	<p>S1 x50</p> 	<p>S2 x190</p> 	<p>S4 x8</p> 
Waterproof roof cover	Slat for roof cover	screw 5.0x100 SS	screw 4.0x70	screw 5.0x120

PART LIST

<p>S5 x70</p> 	<p>S6 x30</p> 	<p>S7 x25</p> 	<p>S9 x3 + x3 + x6</p> 
<p>screw 4.0x50 SS</p>	<p>screw 5.0x70 SS</p>	<p>screw 4.2x55 brown</p>	<p>bolt Ø12x140 hex nut M12 (SW19) Flat washer</p>
Empty space for additional parts or notes			

BARREL DIMENSIONS

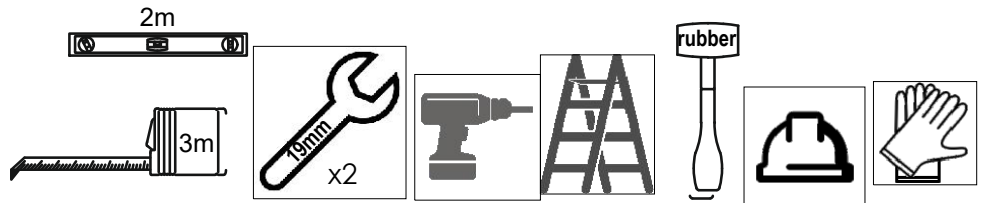


RECOMMENDATION

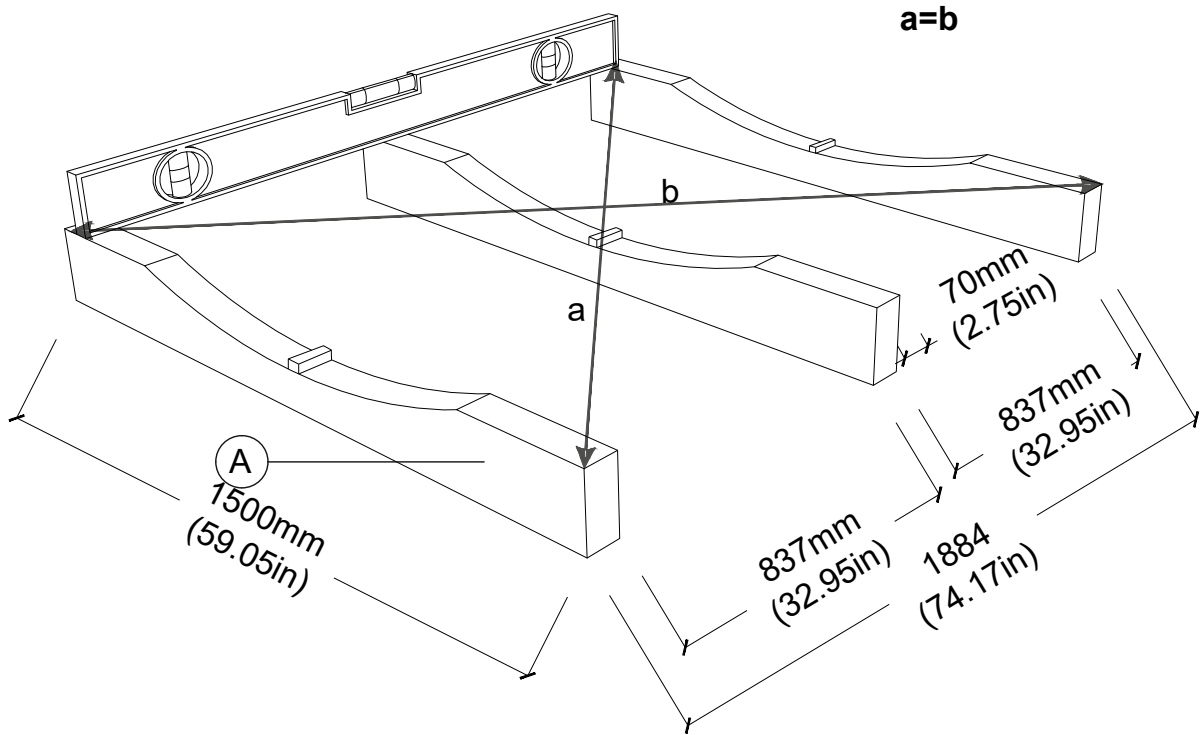


2 person recommended

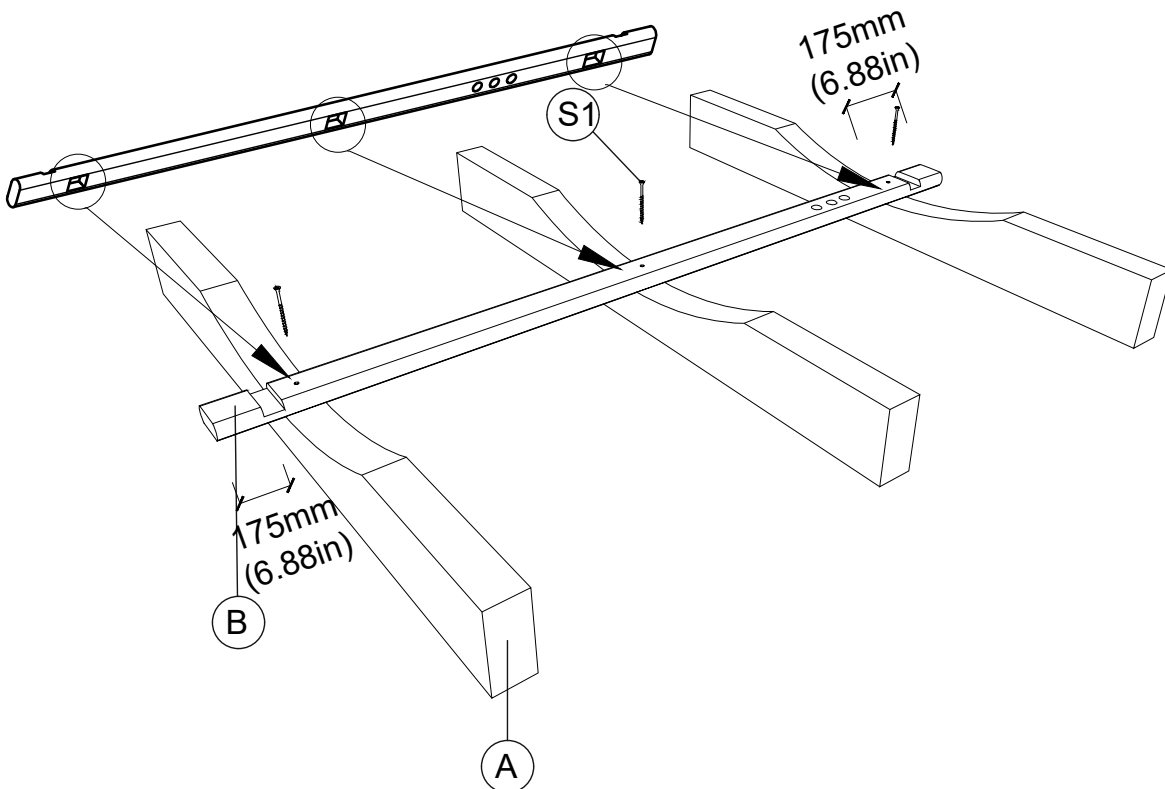
TOOLS REQUIRED



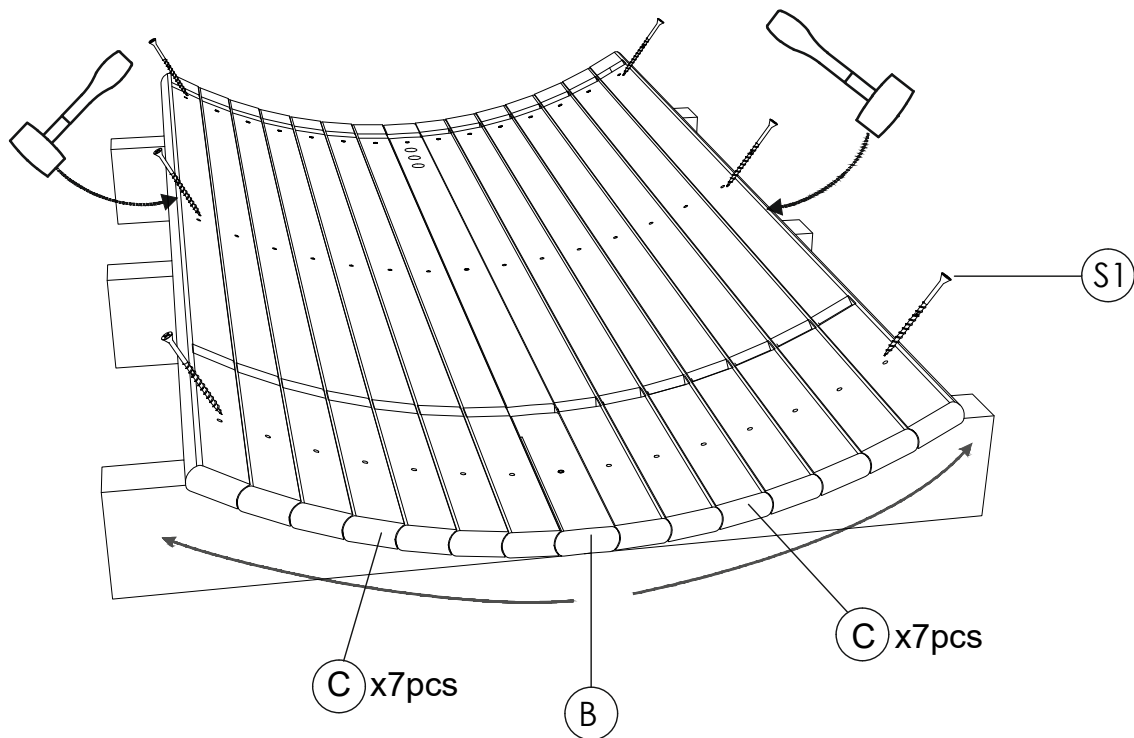
STEP 1: Measure support cradles (A) diagonally from corner to corner. Measurements "a" and "b" should be equal to ensure the cradles are square. Be sure cradles remain level.



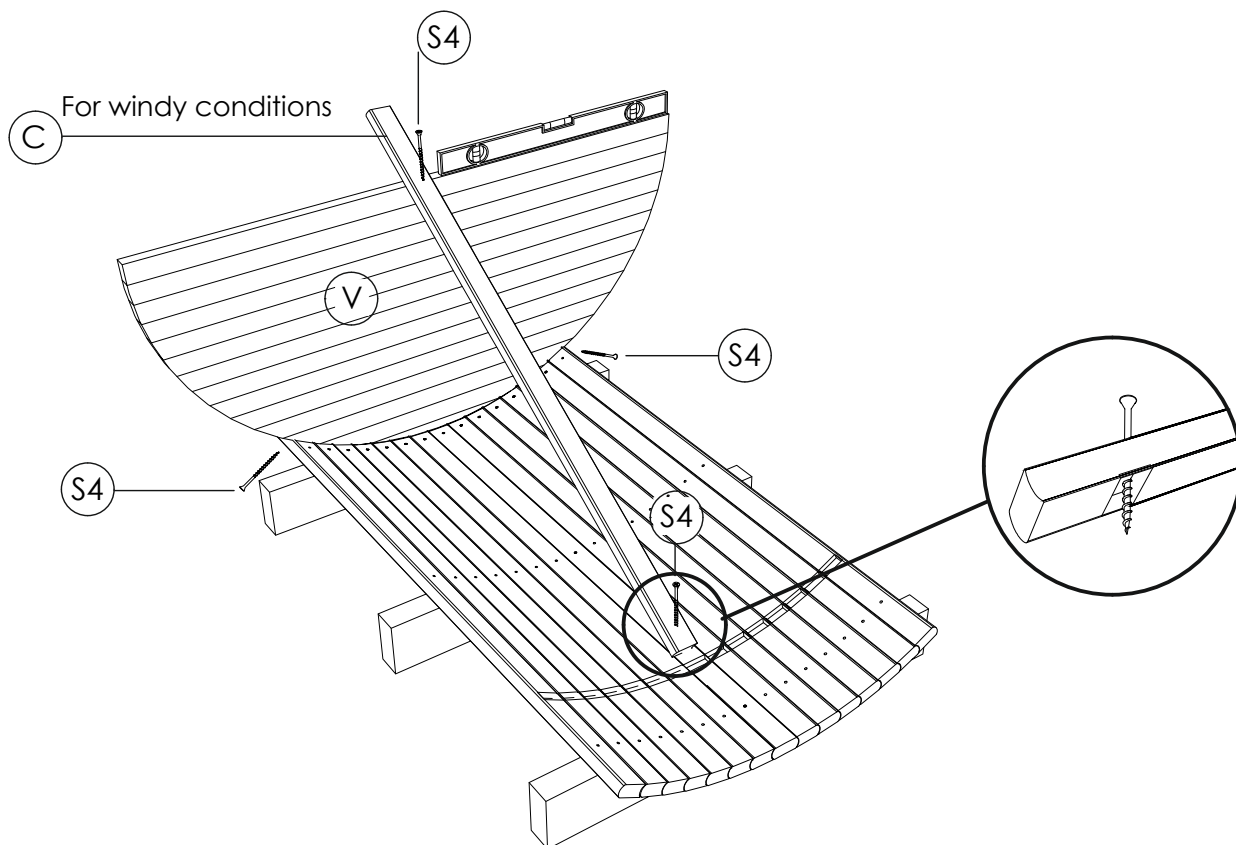
STEP 2: Place the support cradles (A) on level site. Carefully level for better stability. Place the center stave (B) on wooden dowels embedded in outer support cradles (A). Fix the center stave (B) with 5.0x100 SS(S1).



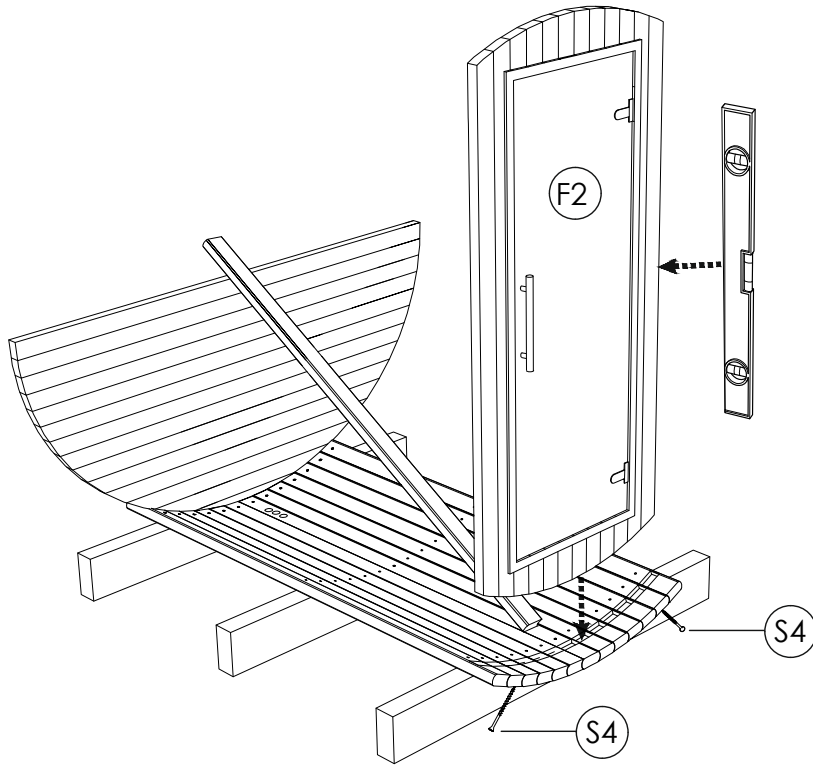
STEP 3: Place 7 sauna body staves (C) to each side of the center stave (B) and fix with screws 5.0x100 SS (S1). Be sure to align the panel groove on every next body stave, to do that use rubber hammer.



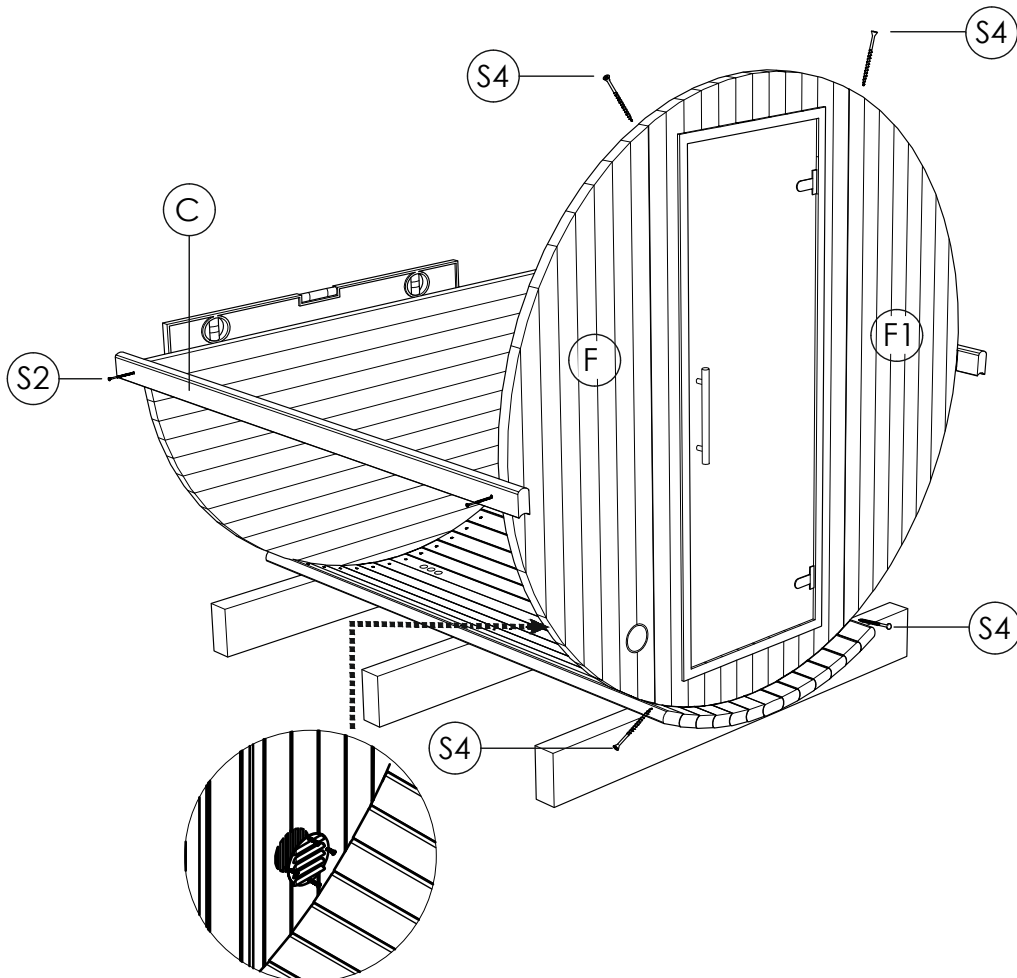
STEP 4: Place rear panel (V) in stave groove, be sure panel is centered, leveled, completely seated. Fix panel using 5.0 x 120 (S4) screws through last floor stave on both sides.



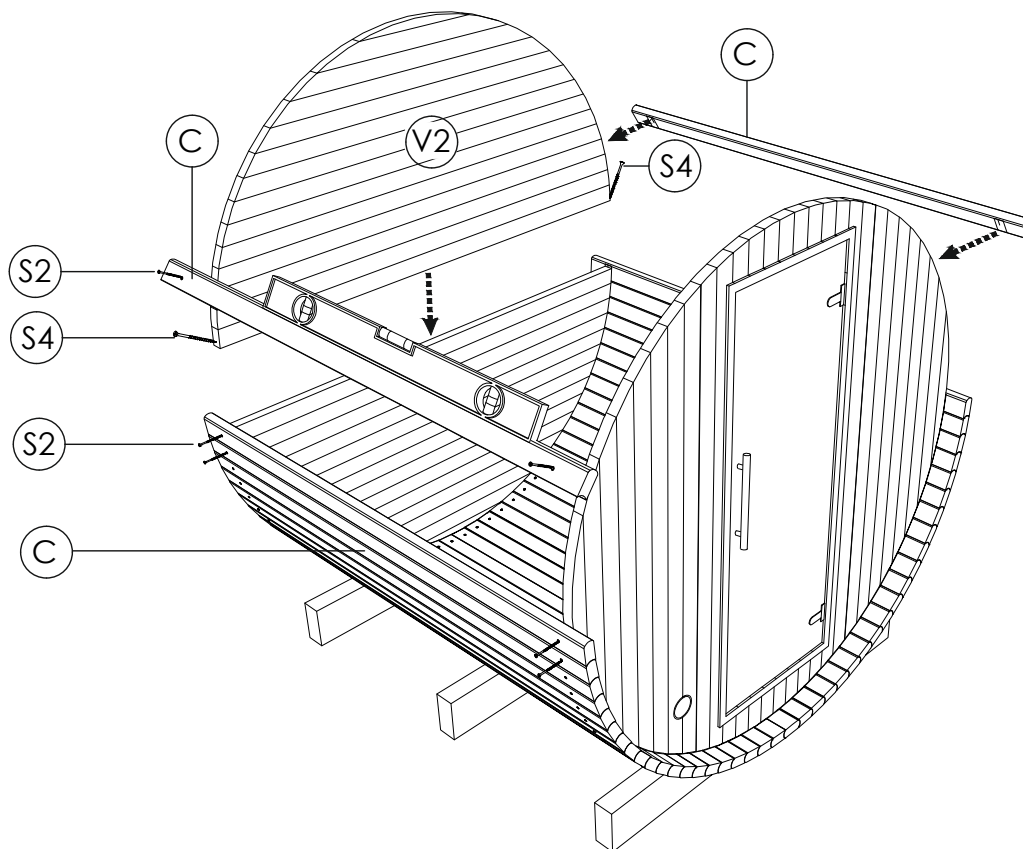
STEP 5: To install the door panel (F2), place it in the groove in front of the stave. Make sure that the panel is centered, level, and completely seated. Then, use two screws (S4) that are 5.0 x 120 in size to fix it on each side of the last stave from underneath. For safety purposes, it is recommended that one person hold the door panel while it is being fixed.



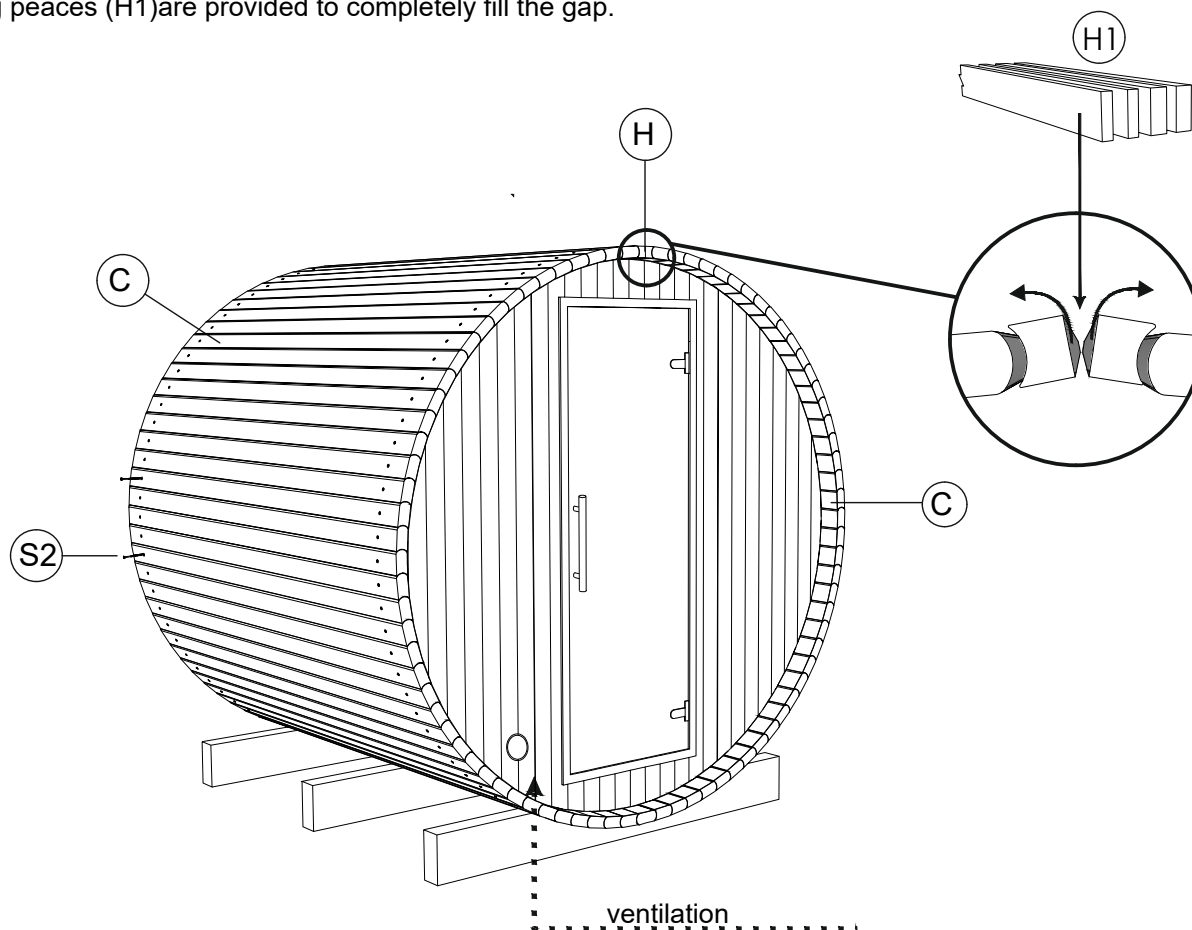
STEP 6: Attach side panel (F) using 4 5.0 x 120 (S4) screws. One person still holds door panel. Place body stave (C) on rear and front panel to connect both panels using 4.0 x 70 SS (S2) screws. Check panel level before fix them. These panels must be completely seated into the floor groove. Fix ventilation grill from inside on ventilation cuts.



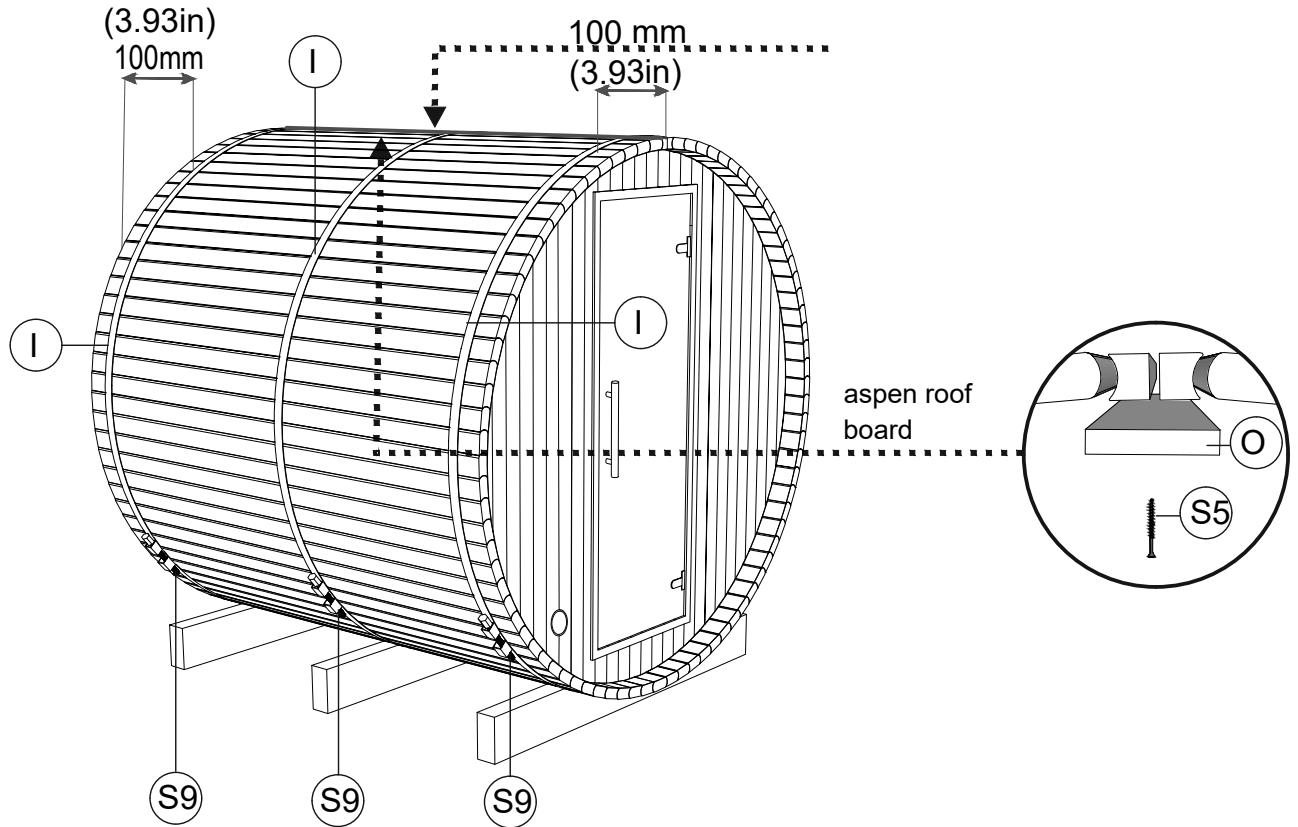
STEP 7: Firstly, position the body staves (C) until you reach the halfway point. Secondly, take the upper rear panel (V2) and place it on the bottom rear panel (V). Secure it by using 2 screws 5.0 x 120 (S4). Lastly, temporarily connect the panels (F2; V2) together by placing one or two body staves (C) on top of them.



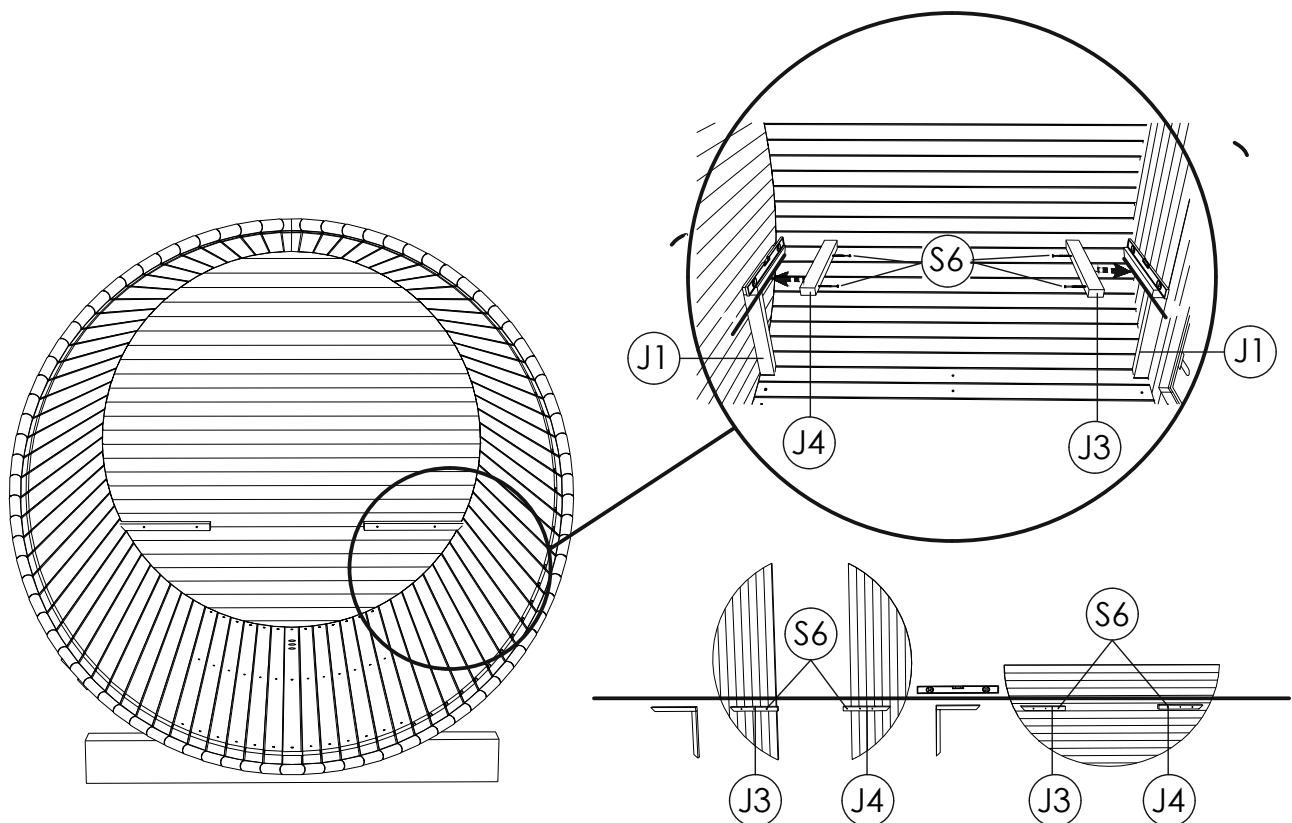
STEP 8: Continue placing body staves (C) tightly on both sides of the sauna using rubber mallet, and fixing body staves with screws 4.0x70(S2) . To finish the roof top joint, use roof finishing item (H). Different thickness filling peaces (H1)are provided to completely fill the gap.



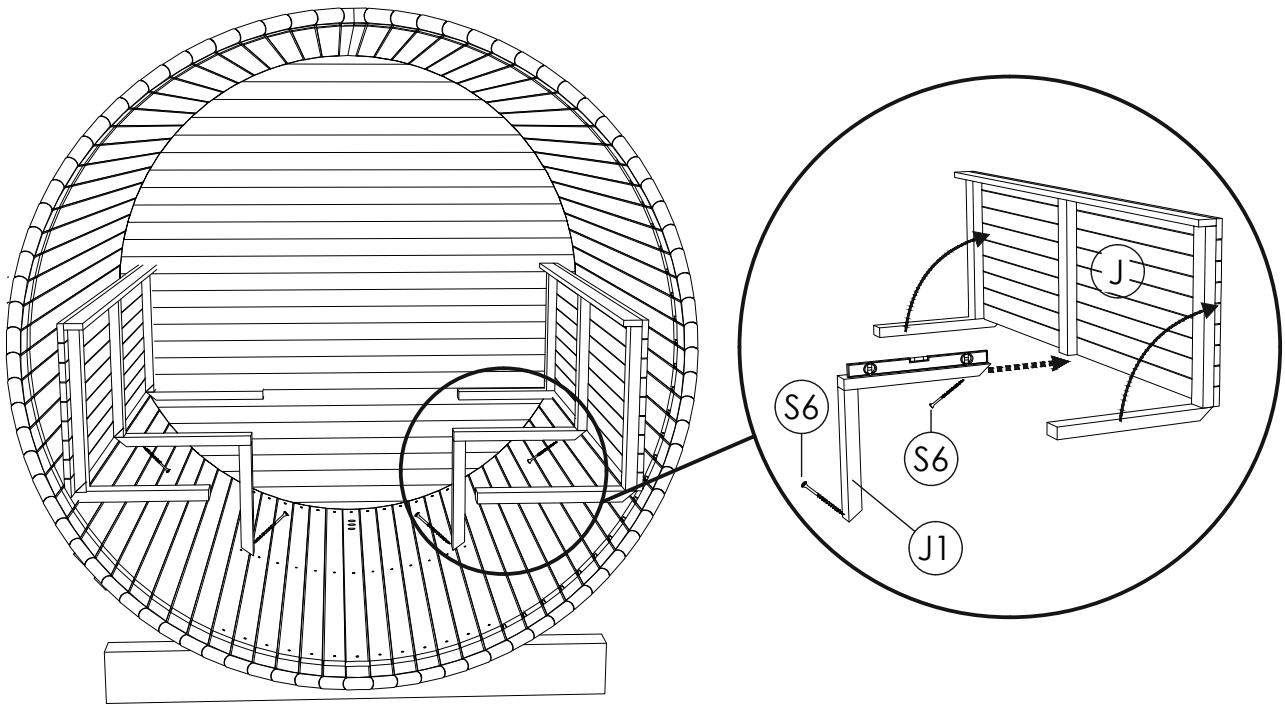
STEP 9: Install steel bands (I) by wrapping bands around the barrel, then connect with bolts and nuts (S9). Place steel bands evenly around the barrel approx 90-100mm from both sides, covering screw heads. The middle band should be evenly placed from both bands. Install interior aspen roof trim (O) in sauna with 4.0 x 50 SS (S5) screws.



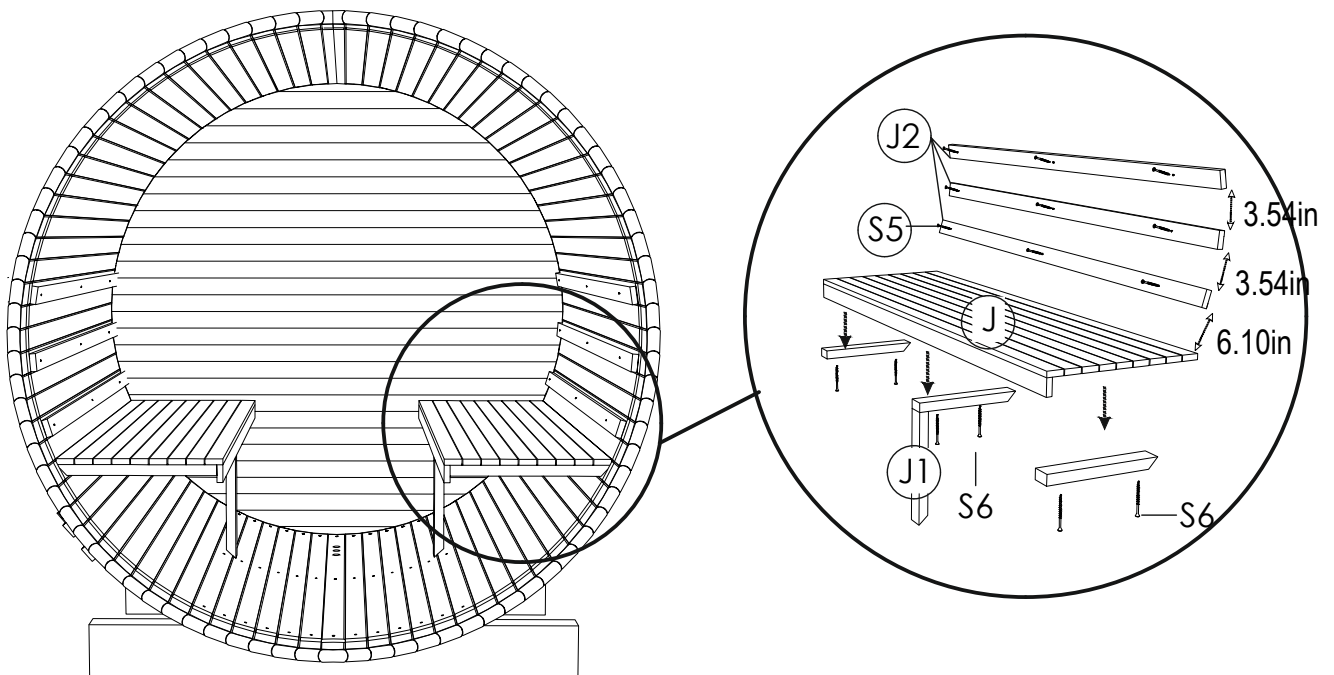
STEP 10: To install wall mounts (J3, J4) use interior supporting leg (J1). Put it on the sauna wall in level, mark a line where wall mounts will stand. Using screw 5.0x70 SS (S6) fix wall mounts (J3, J4) on the marked lines.



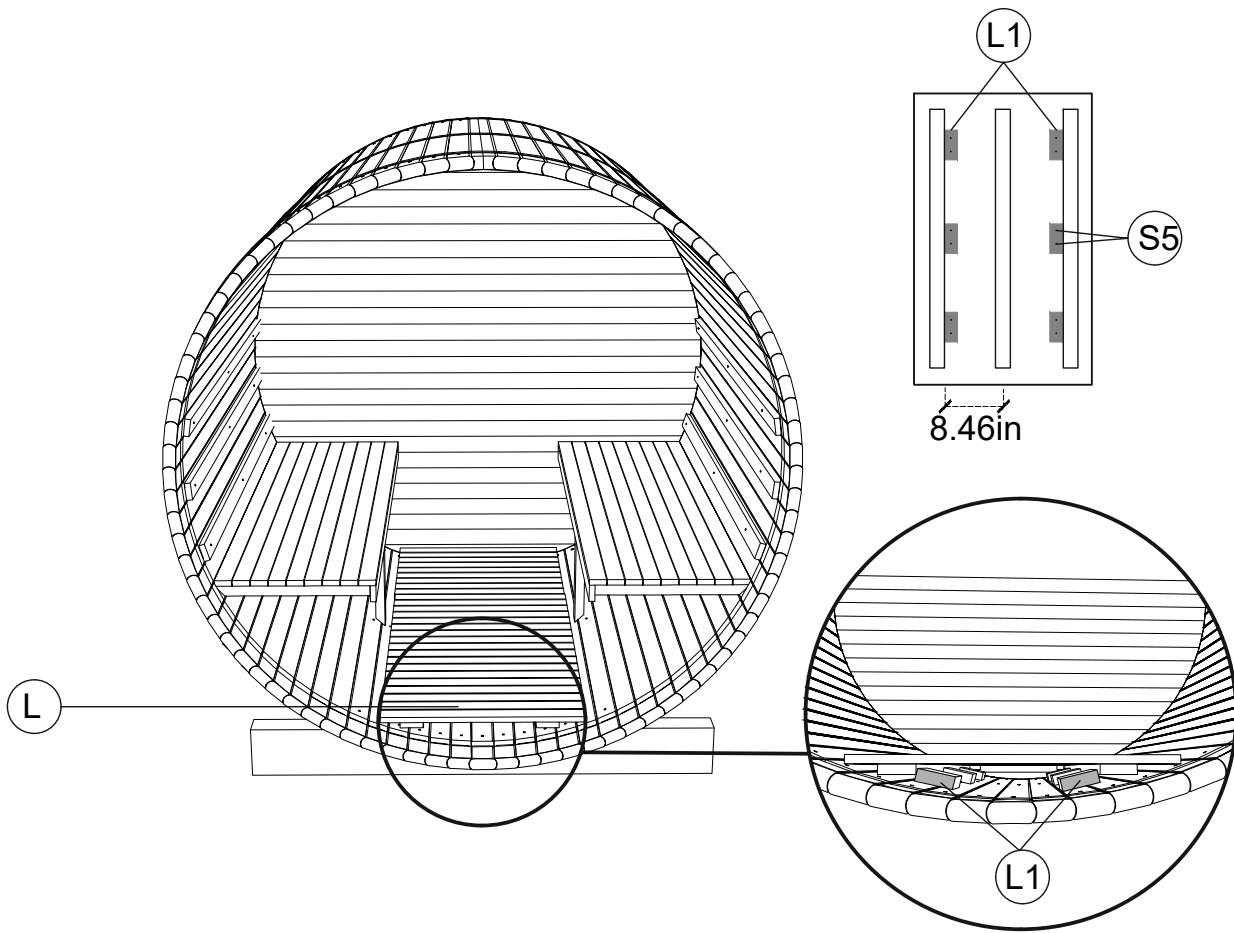
STEP 11: Install interior supporting leg (J1) in the center of bench (J). Stand bench on side wall mounts. Place J1 in the center and check the level. Using screw 5.0 x 70 SS (S6) fix bench leg to the wall and floor.



STEP 12: Install backrests (J2) at your chosen height using screw 4.0 x 50 SS (S5). Fix sauna bench (J) to wall mounts and support leg using 5 x 70 SS (S6) screws.



STEP 13: Install fixing blocks (L1) under floor duckboard. Place floor duckboards (L).



STEP 14: Place waterproof roof cover (Z) and fix it with wooden slat (Z1) and screws 4.0 x 50 (S7). Install front and rear decorative roof finishing boards (W), fixing by screws 4.2x55(S7).

