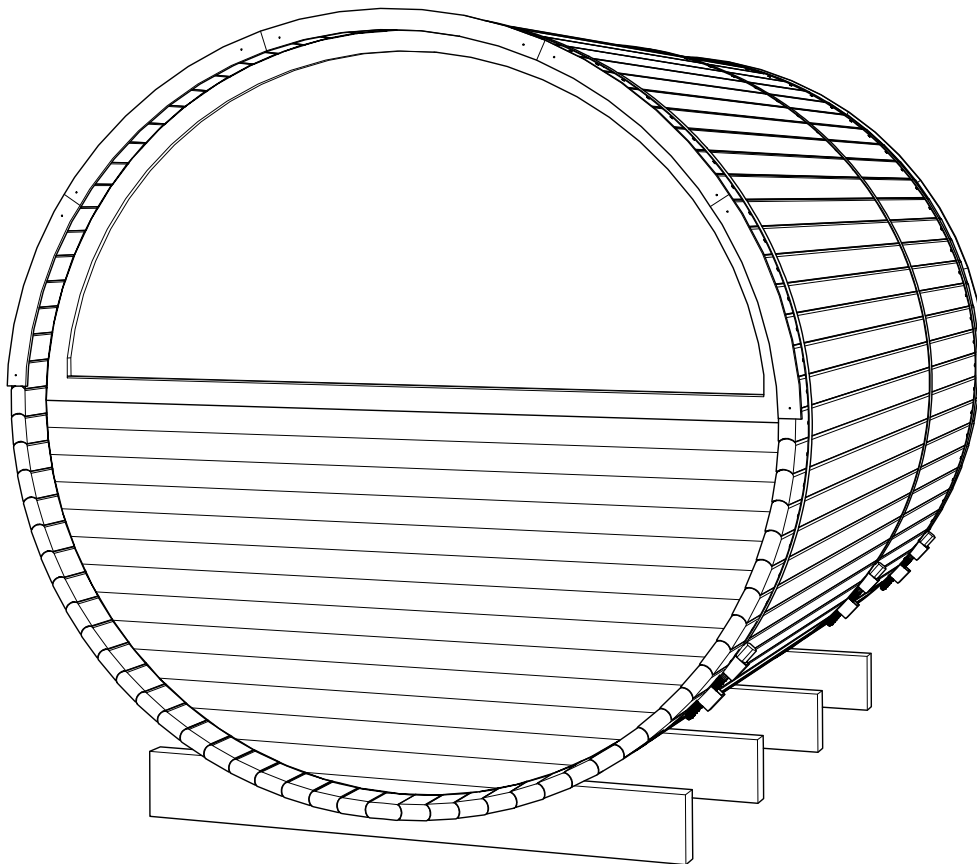
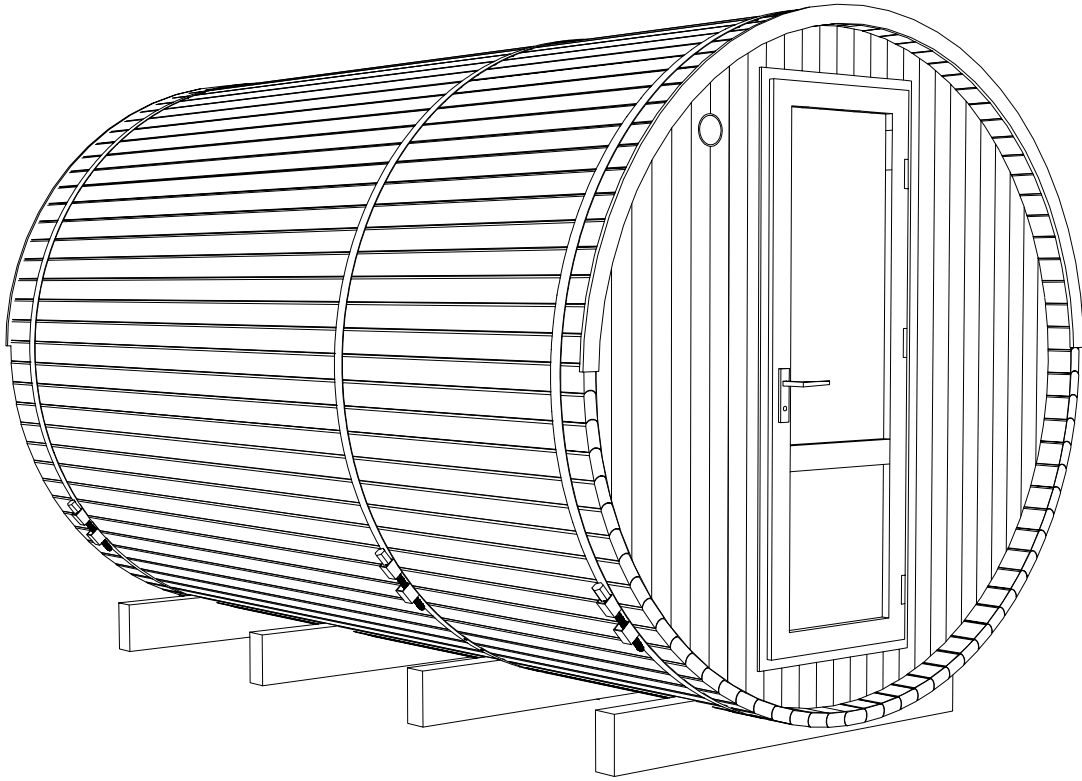


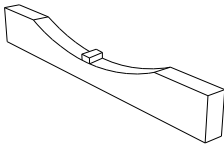
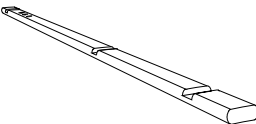
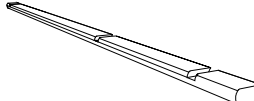
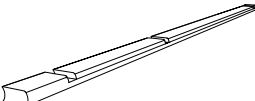
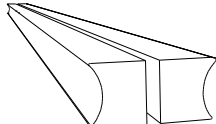
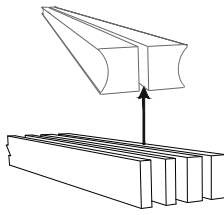
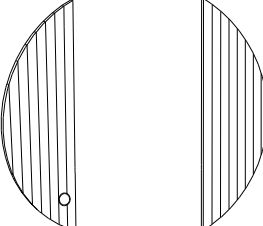
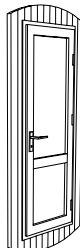
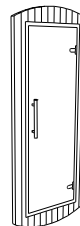
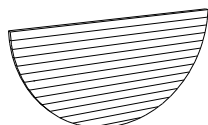
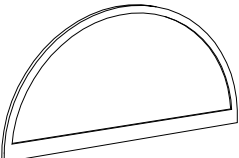
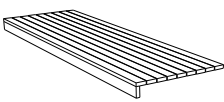
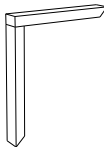
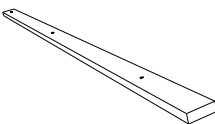
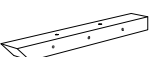
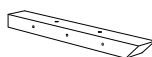
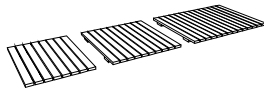
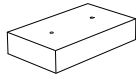
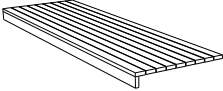
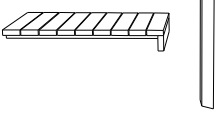
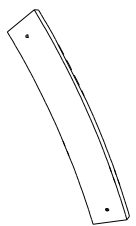
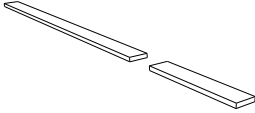
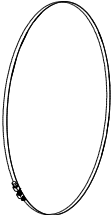
BARREL SAUNA

ASSEMBLY INSTRUCTION






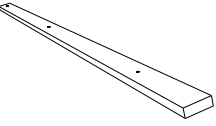
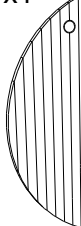

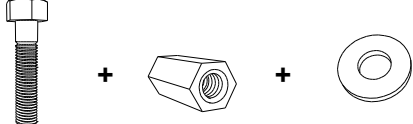




MODEL: BARREL SAUNA RCP-229-300

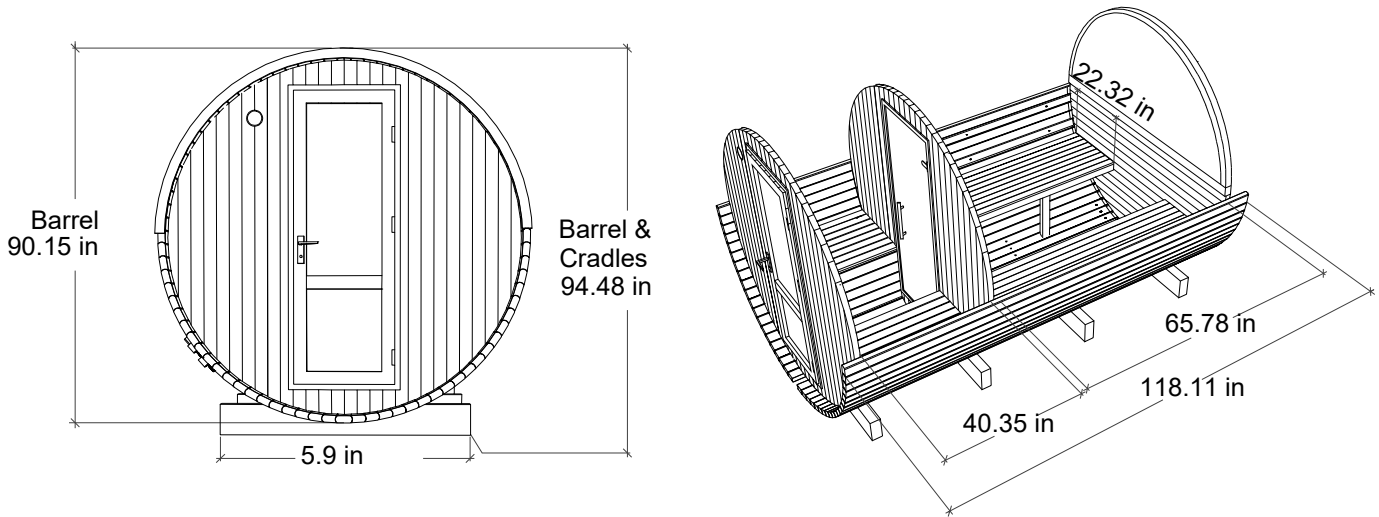
PART LIST

<p>A x4</p> 	<p>B x1</p> 	<p>C x45</p> 	<p>C1 x45</p> 	<p>H x2</p> 
<p>cradle</p>	<p>center stave</p>	<p>left side body stave</p>	<p>right side body stave</p>	<p>final H tip stave at the top</p>
<p>H1 x4</p> 	<p>F x1 F1 x1</p> 	<p>F3 x1</p> 	<p>F2 x1</p> 	<p>V x1</p> 
<p>different thickness Filling peaces</p>	<p>left; right panel section</p>	<p>Front door panel</p>	<p>sauna door panel</p>	<p>bottom rear panel</p>
<p>V1 x1</p> 	<p>J x2</p> 	<p>J1 x6</p> 	<p>J2 x6</p> 	<p>J3 x4</p> 
<p>upper rear panel</p>	<p>sauna bench</p>	<p>supporting leg</p>	<p>backrest stave</p>	<p>wall mount</p>
<p>J4 x4</p> 	<p>L x3</p> 	<p>L1 x10</p> 	<p>J6 x2</p> 	<p>K x2</p> 
<p>wall mount</p>	<p>Flooring duckboard</p>	<p>Fixing block for Flooring duckboard</p>	<p>Changing room bench</p>	<p>benches</p>
<p>W x10</p> 	<p>O x1</p> 	<p>I x3</p> 		
<p>decorative roof Finishing board</p>	<p>aspen roof board</p>	<p>metal band</p>		

PART LIST

 <p>S7 x25</p>	 <p>S5 x70</p>	 <p>S6 x80</p>	 <p>S2 x170</p>	 <p>S4 x12</p>
screw 4.2x55 brown	screw 4.0x50 SS	screw 5.0x70 SS	screw 4.0x70	screw 5.0x120
 <p>J5 x6</p>	 <p>F4 x1</p>	 <p>F5 x1</p>	 <p>S9 x3 + x3 + x6</p>	
lobby backrest stave	Front left panel section	Front right panel section	bolt Ø12x140	hex nut M12 (SW19) Flat washer
 <p>S1 x60</p>	 <p>S3 x50</p>			
screw 5.0x100 SS	screw 4.0x50			

BARREL DIMENSIONS

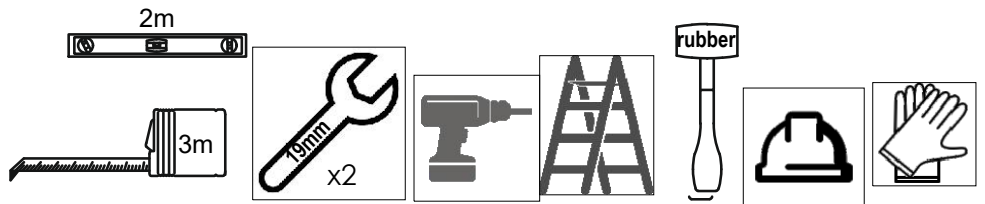


RECOMMENDATION



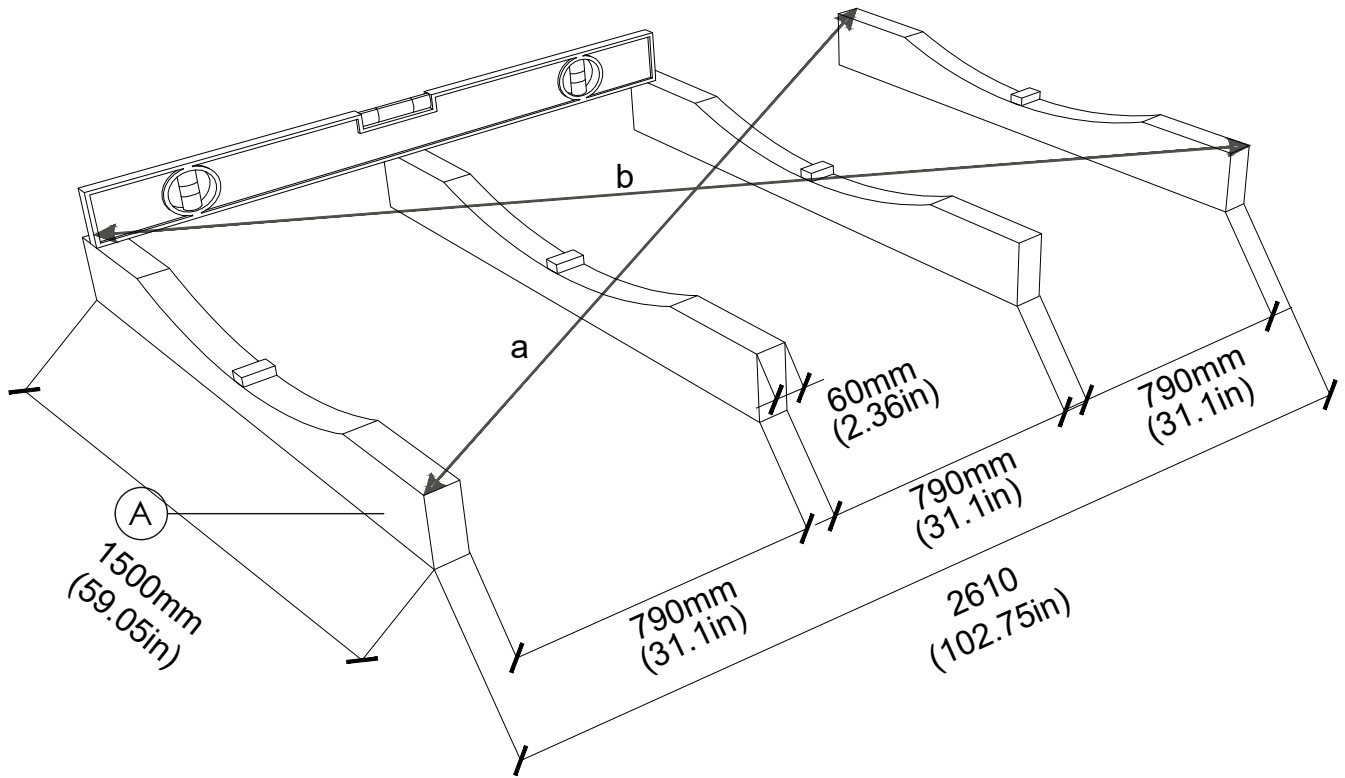
2 person recommended

TOOLS REQUIRED

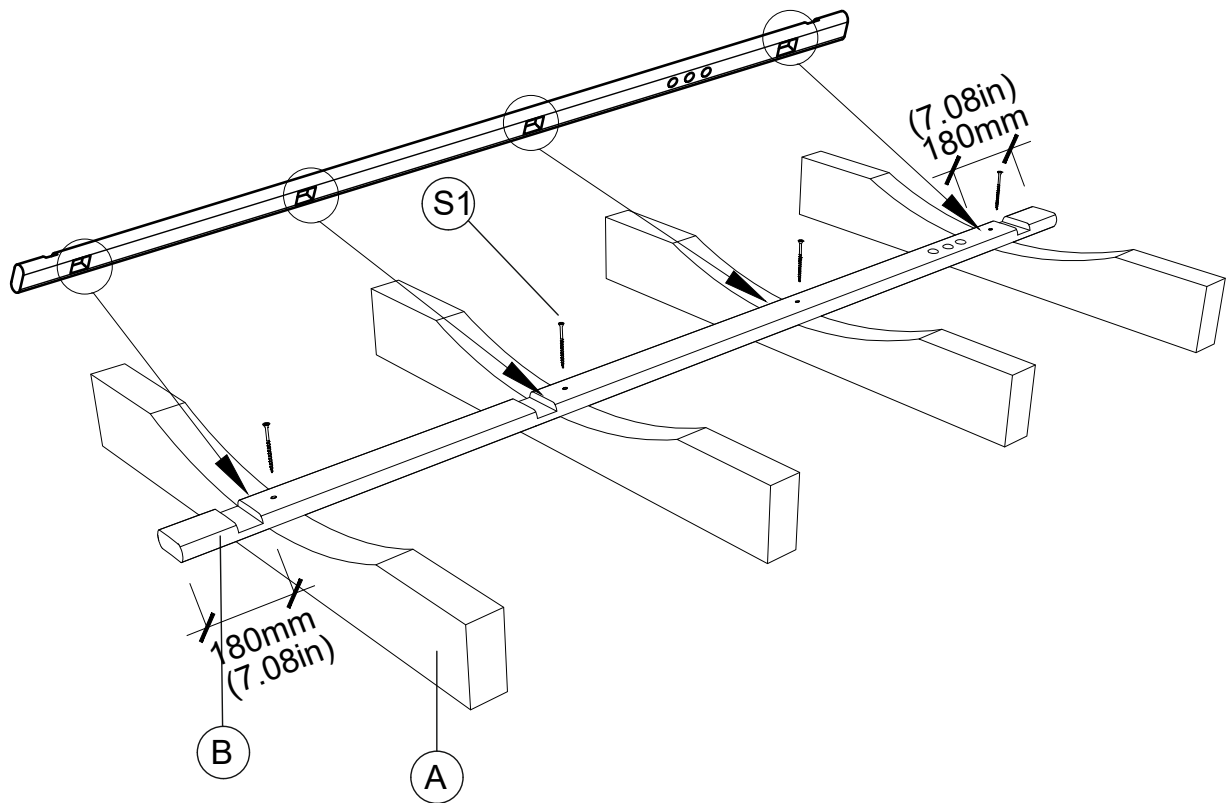


STEP 1: Place the support cradles (A) on level site. Measure support cradles (A) diagonally from corner to corner. Measurements "a" and "b" should be equal. Be sure cradles remain level.

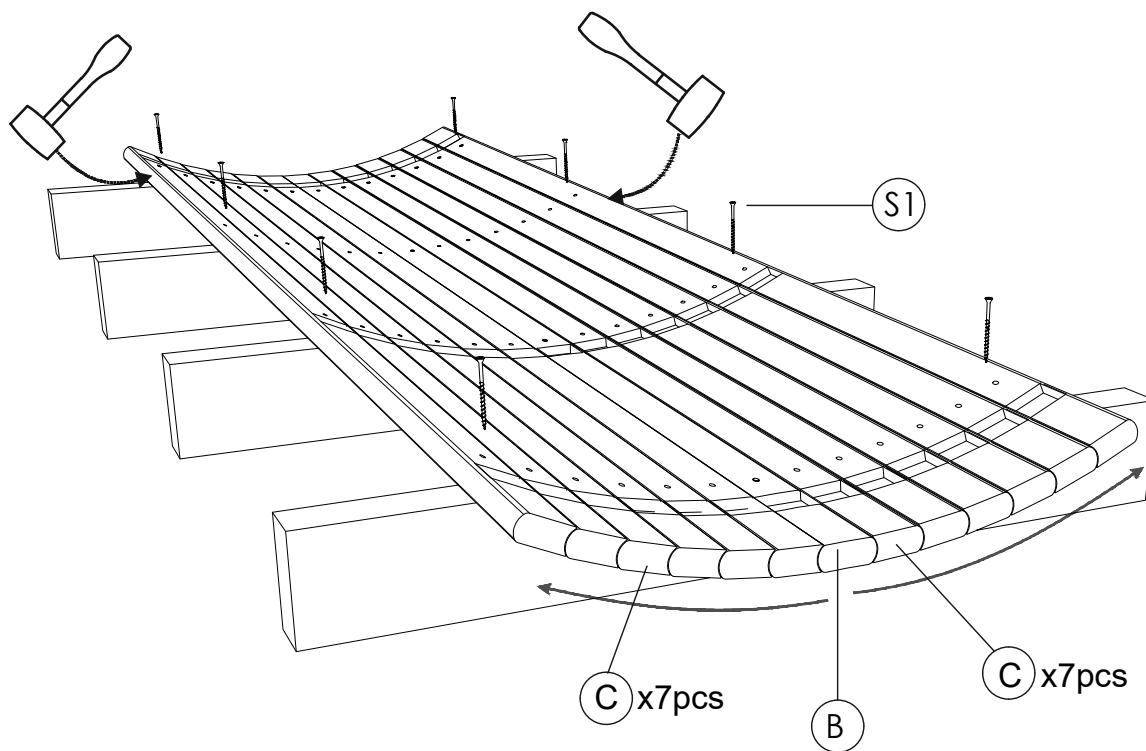
a=b



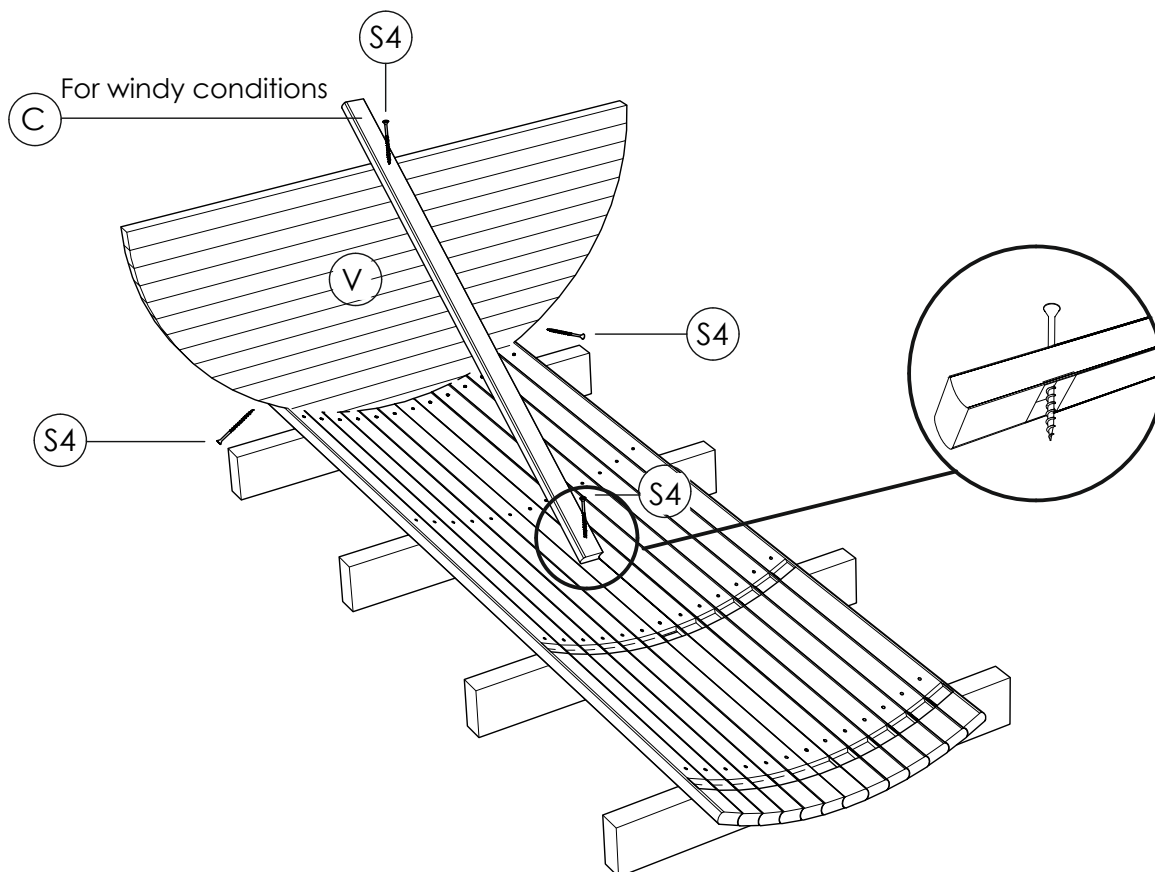
STEP 2: Place the center stave (B) on wooden dowels embedded in support cradles (A). Fix the center stave (B) with screw 5.0x100 SS(S1).



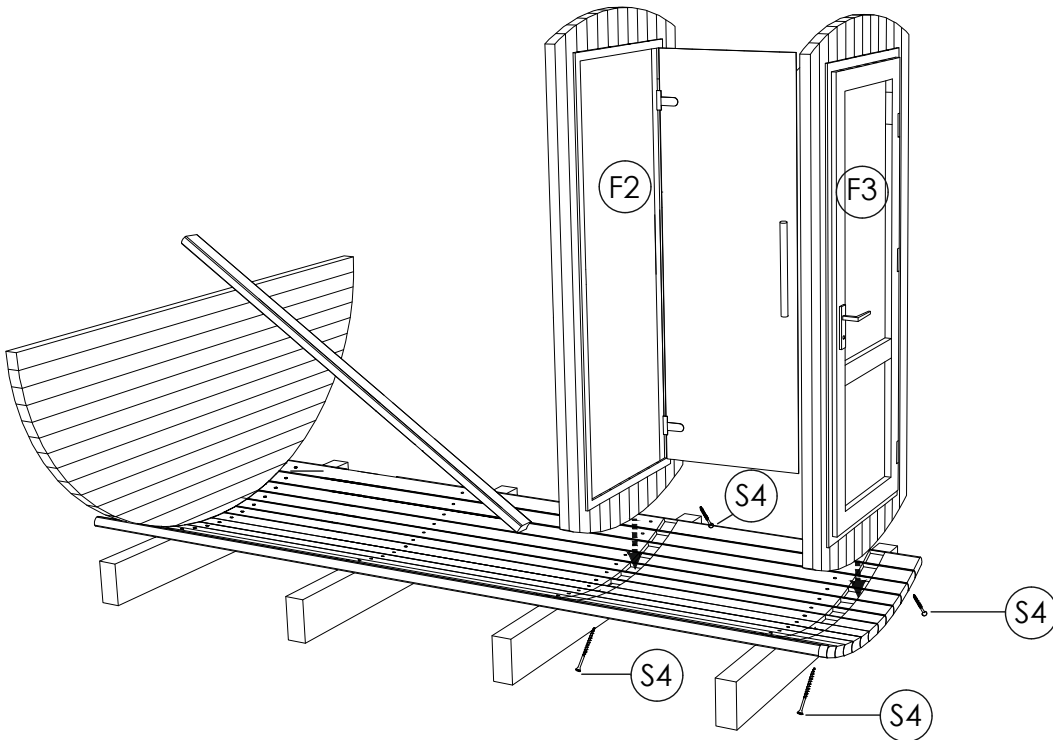
STEP 3: Place 7 sauna body staves (C) to each side of the center stave (B) and fix with screws 5.0x100 SS (S1). Be sure to align the panel groove on every next body stave, to do that use rubber hammer.



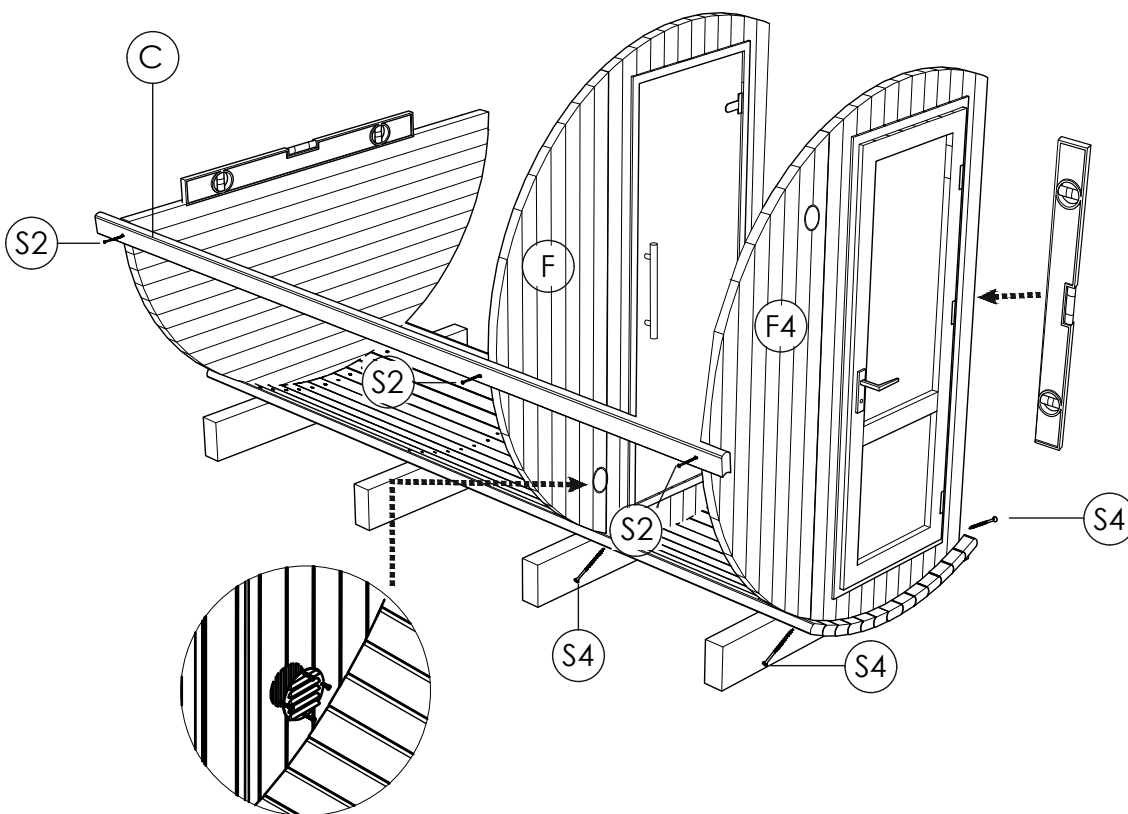
STEP 4: Place rear panel (V) in stave groove, be sure panel is centered, leveled, completely seated. Fix panel using 5.0 x 120 (S4) screws through last floor stave on both sides.



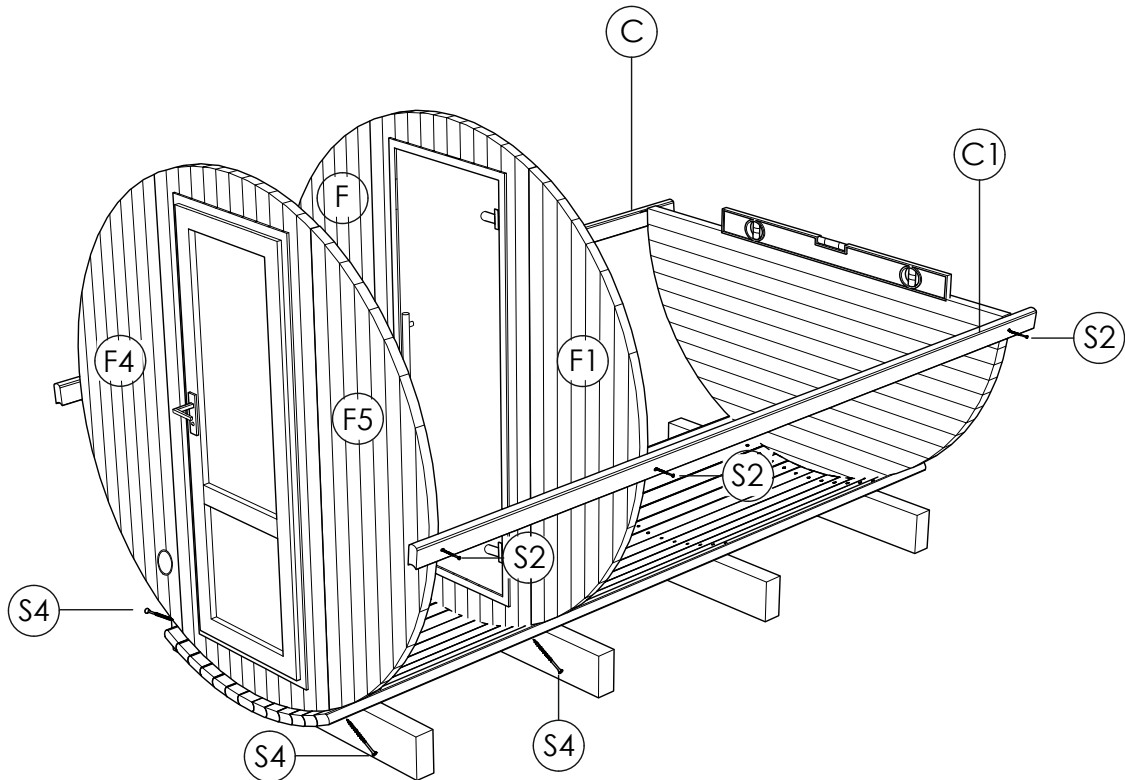
STEP 5: Place door panel (F3) in front stave groove. Be sure panel is centered, leveled, completely seated. Fix it with 2 screws 5.0 x 120 (S4) on each side of last stave from underneath. Then place door panel (F2) in second stave groove. Be sure panel is centered, leveled, completely seated. Fix it with 2 screws 5.0 x 120 (S4) on each side of last stave from underneath. For safety reasons one person should hold door panel.



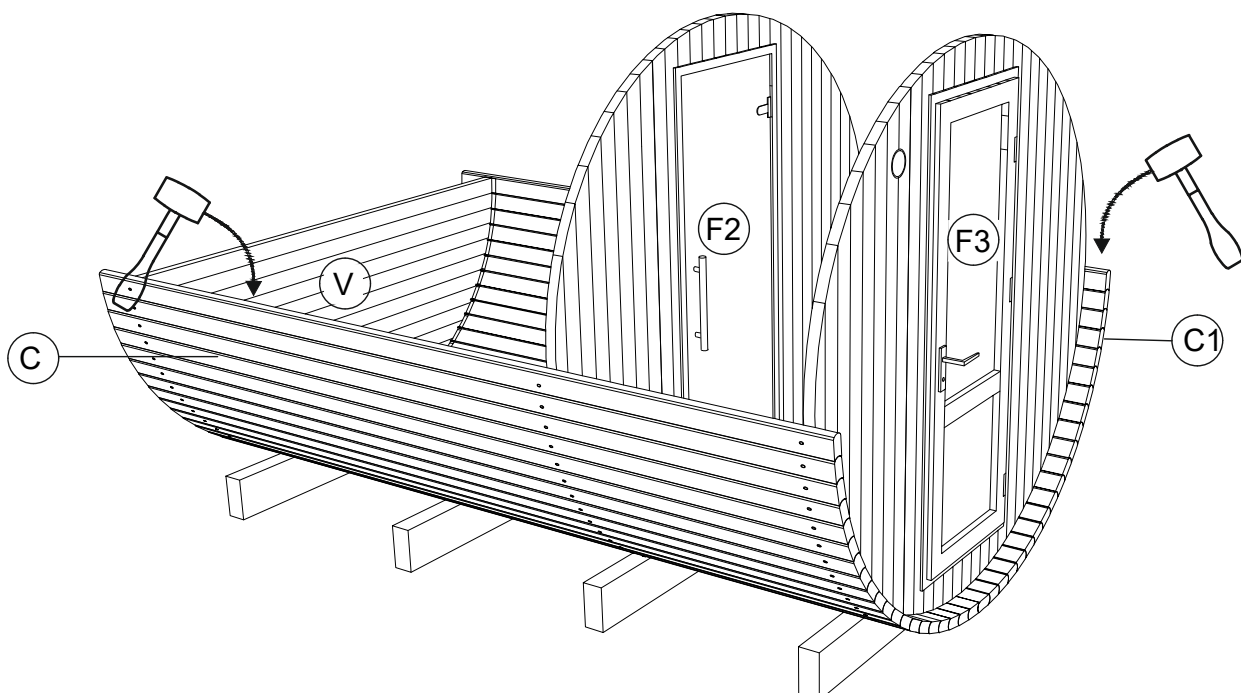
STEP 6: Attach side panel (F;F4) using four 5.0 x 120 (S4) screws. One person still holds door panel. Place body stave (C) on rear and front panel to connect both panels using 4.0 x 70 SS (S2) screws. Check panel level before fix them. These panels must be completely seated into the floor groove. Fix ventilation grill from inside on ventilation cuts.



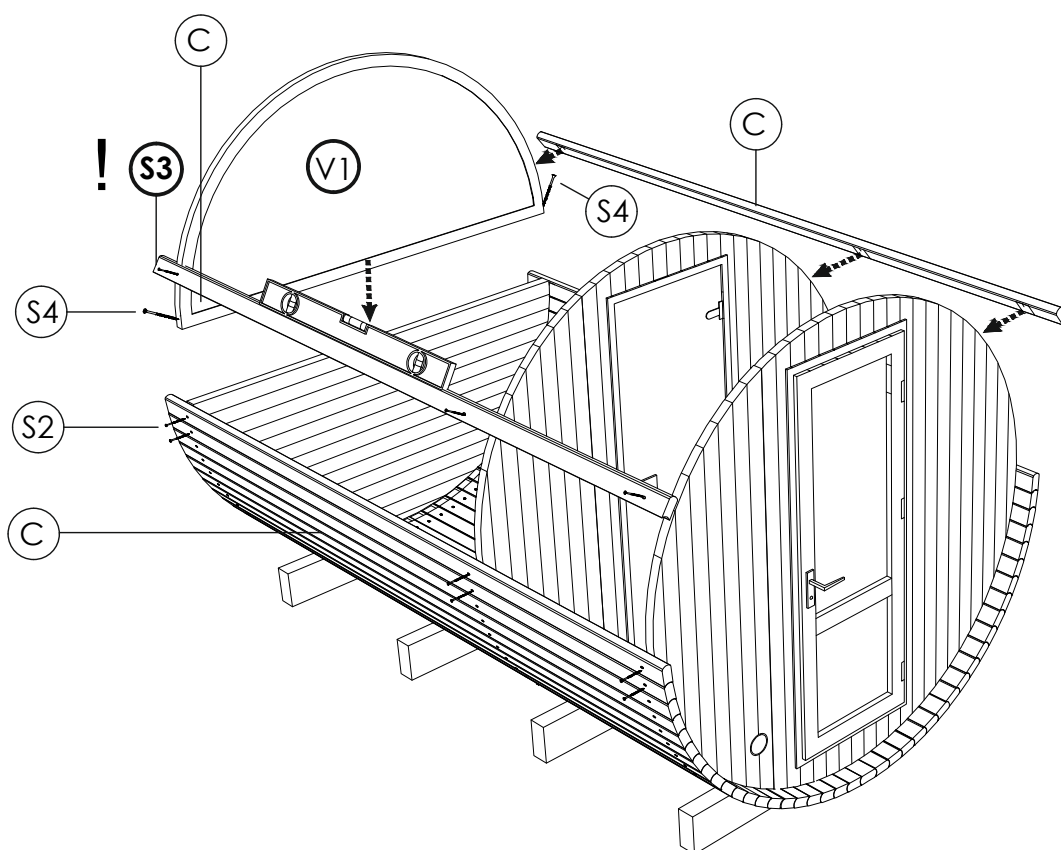
STEP 7: Attach side panel (F1;F5) using four 5.0 x 120 (S4) screws. One person still holds door panel. Place body stave (C) on rear and front panel to connect both panels using 4.0 x 70 SS (S2) screws. Check panel level before fix them. These panels must be completely seated into the floor groove. Continue placing body staves (C,C1) tightly on both sides of the sauna using rubber mallet to tighten gaps.



STEP 8: Place body staves (C,C1) until the halfway point on each side at the same time. Use rubber mallet to tighten gaps.

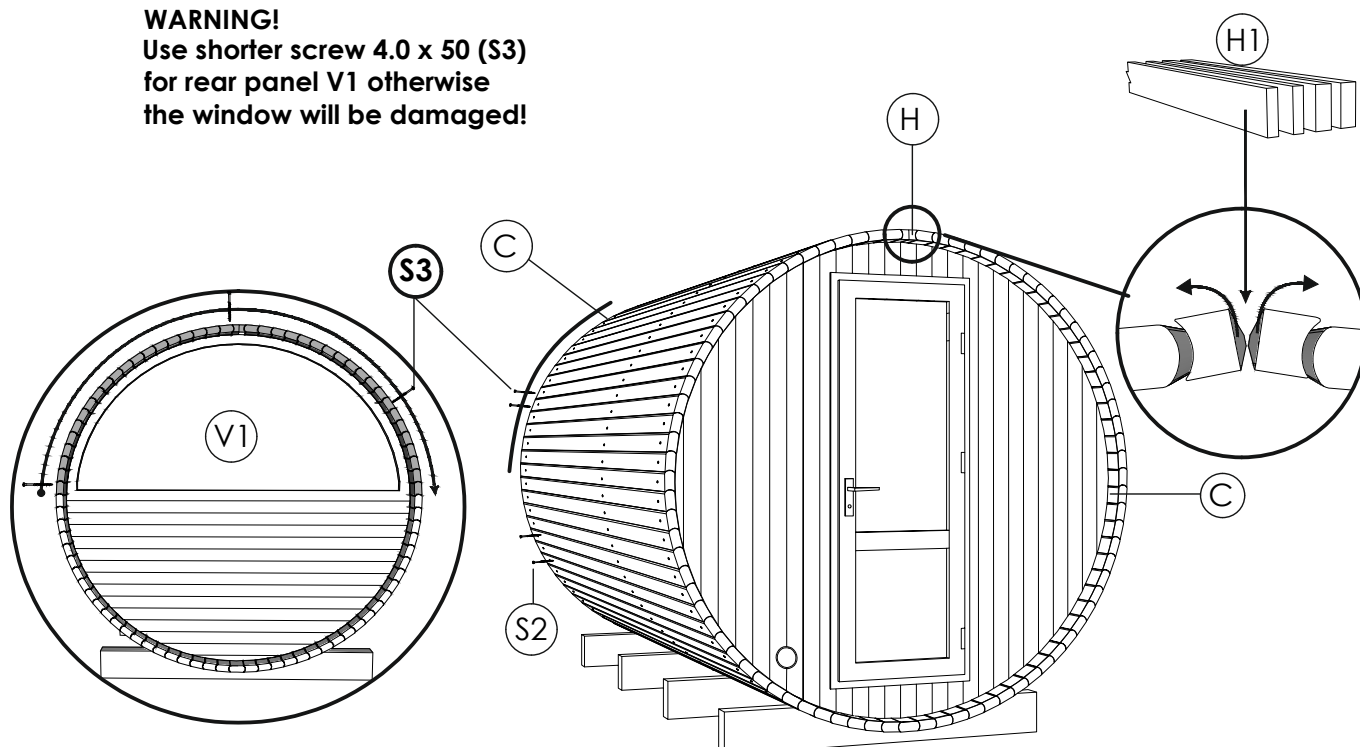


STEP 9: Place rear panel with panoramic window (V1) on bottom rear panel (V), fix by 2 screws 5.0 x 120 (S4). Bind panels (F;F2; V1) together by temporarily placing two body staves (C) on each side.

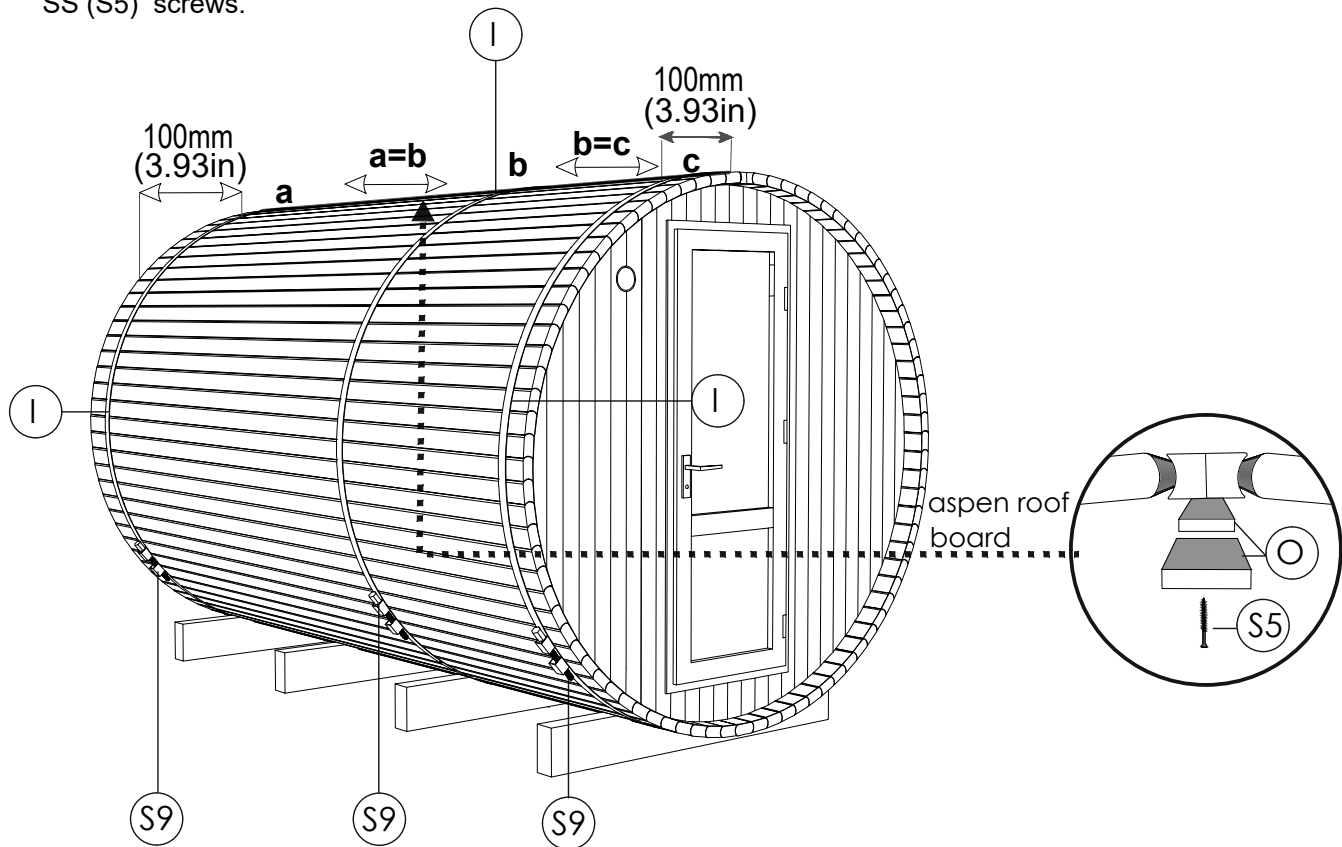


STEP 10: To complete the sauna assembly, continue to tightly place body staves (C) on both sides using a rubber mallet. Secure the body staves on the front panel with 4.20x70 screws (S2) and attach the rear window panel (V1) with 4.0 x 50 screws (S3) to prevent glass from breaking. For the rooftop joint, use the roof finishing item (H) and fill any gaps with the provided filling pieces of varying thickness (H1).

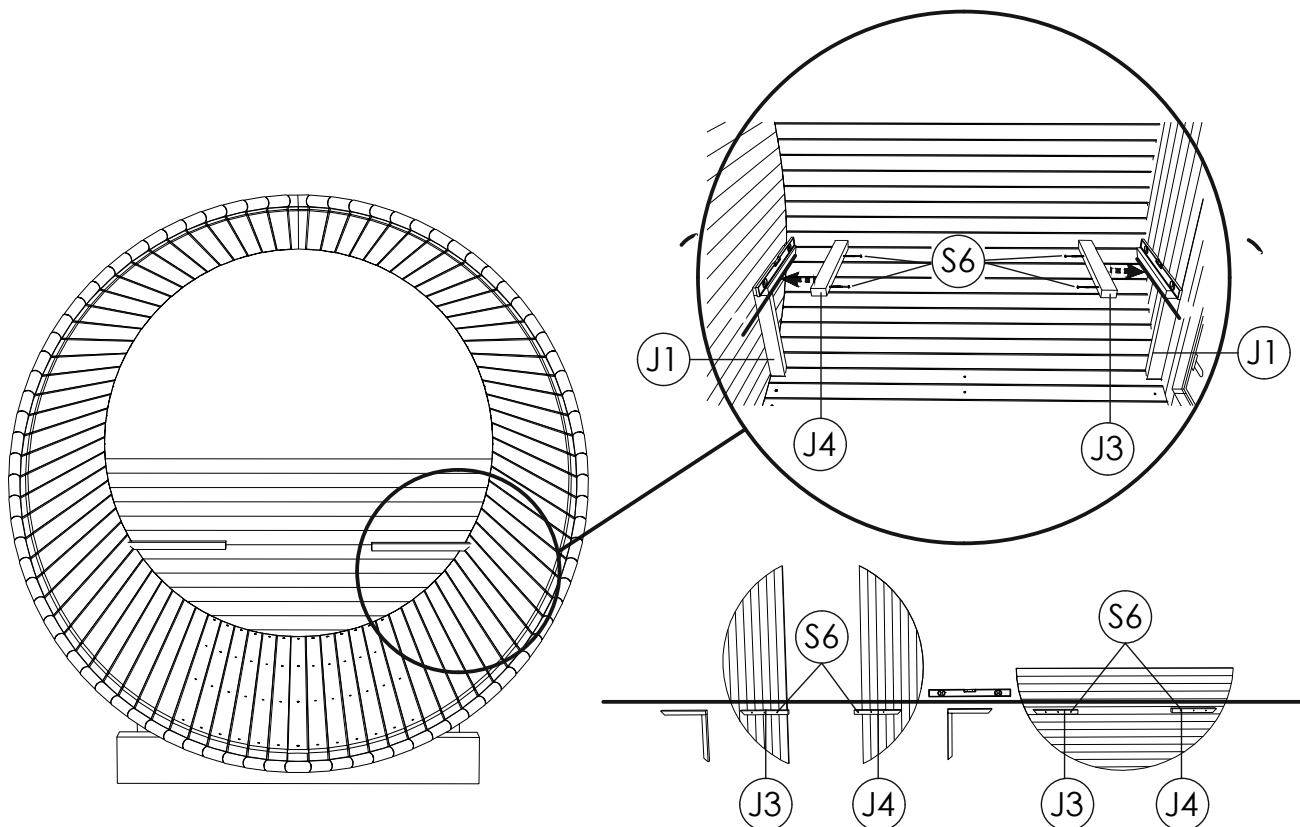
WARNING!
Use shorter screw 4.0 x 50 (S3)
for rear panel V1 otherwise
the window will be damaged!



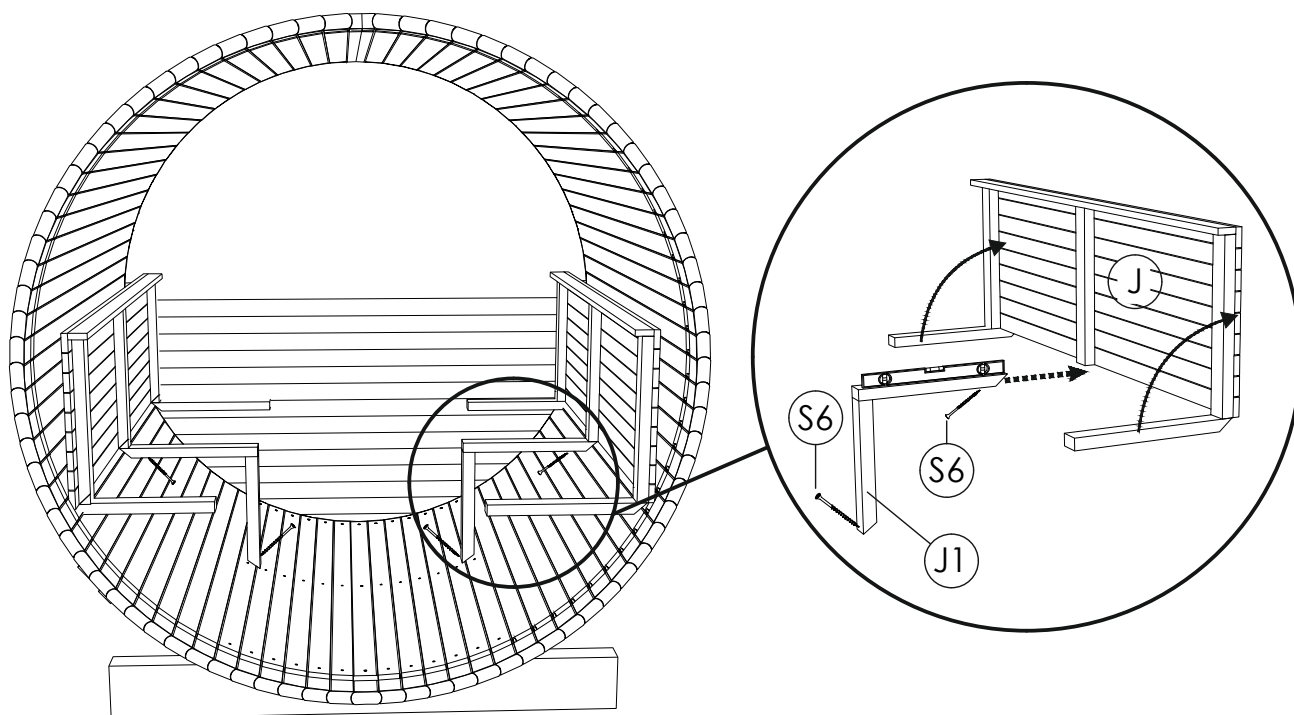
STEP 11: Install steel bands (I) by wrapping bands around the barrel, then connect with bolts and nuts (S9). Place steel bands evenly around the barrel approx 90-100mm from both sides, covering screw heads. The middle band should be evenly placed from both bands. Install interior aspen roof trim (O) in sauna with 4.0 x 50 SS (S5) screws.



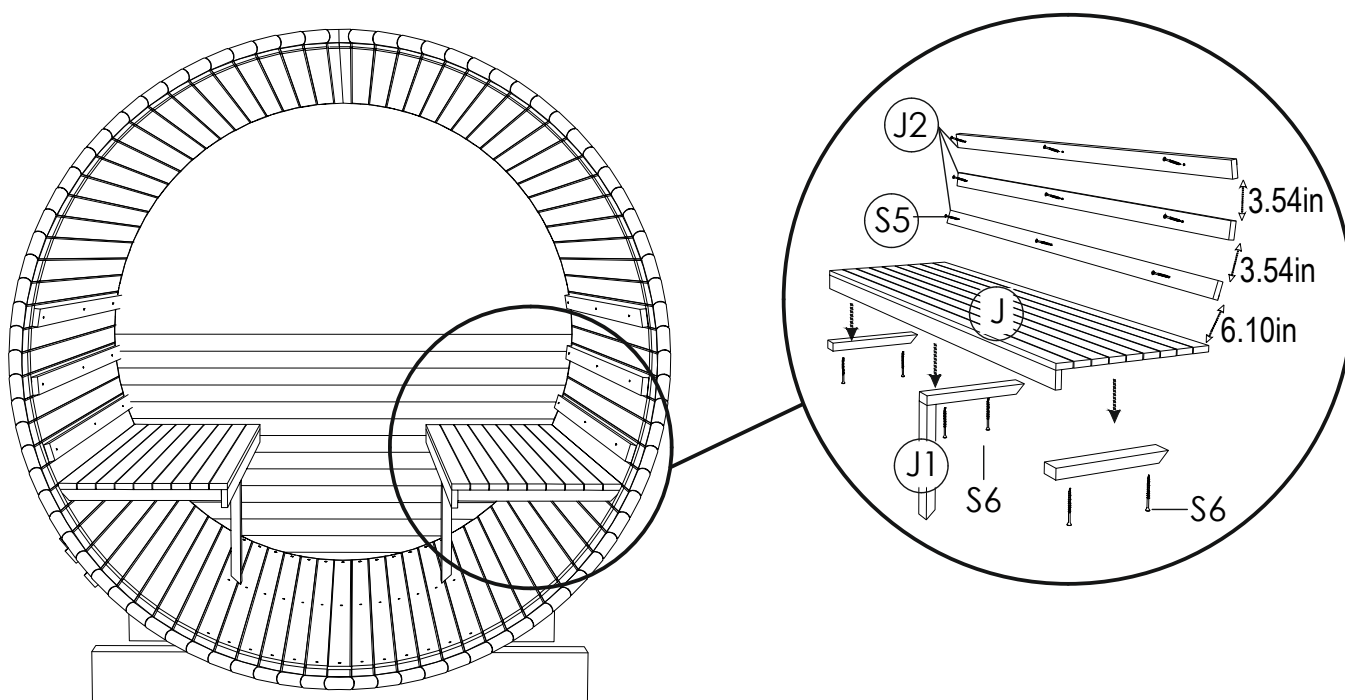
STEP 12: To install wall mounts (J3, J4) use interior supporting leg (J1). Put it on the sauna wall in level, mark a line where wall mounts will stand. Using screw 5.0x70 SS (S6) fix wall mounts (J3, J4) on the marked lines.



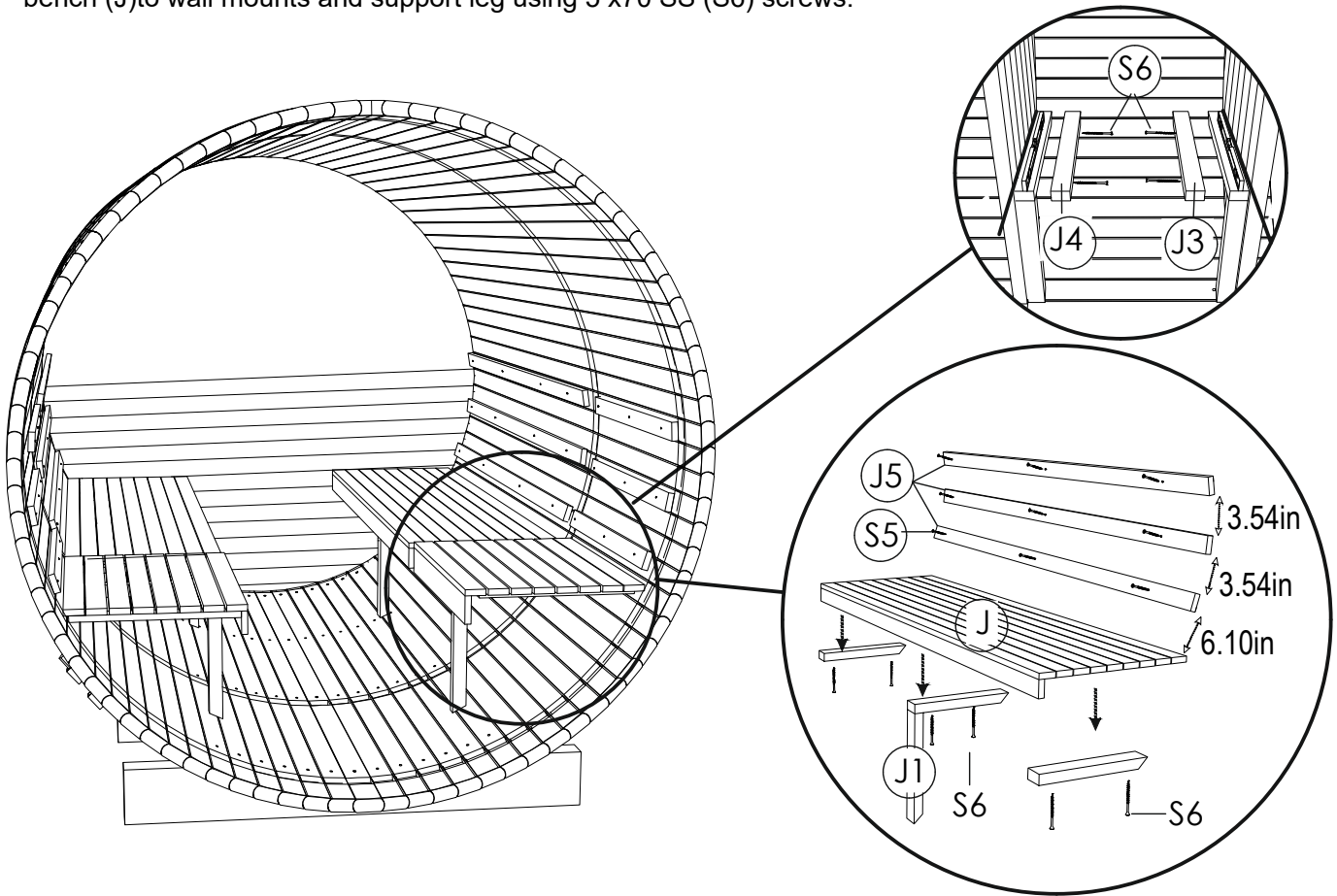
STEP13: Install interior supporting leg (J1) in the center of bench (J). Stand bench on side wall mounts. Place J1 in the center and check the level. Using screw 5.0 x 70 SS (S6) fix bench leg to the wall and floor.



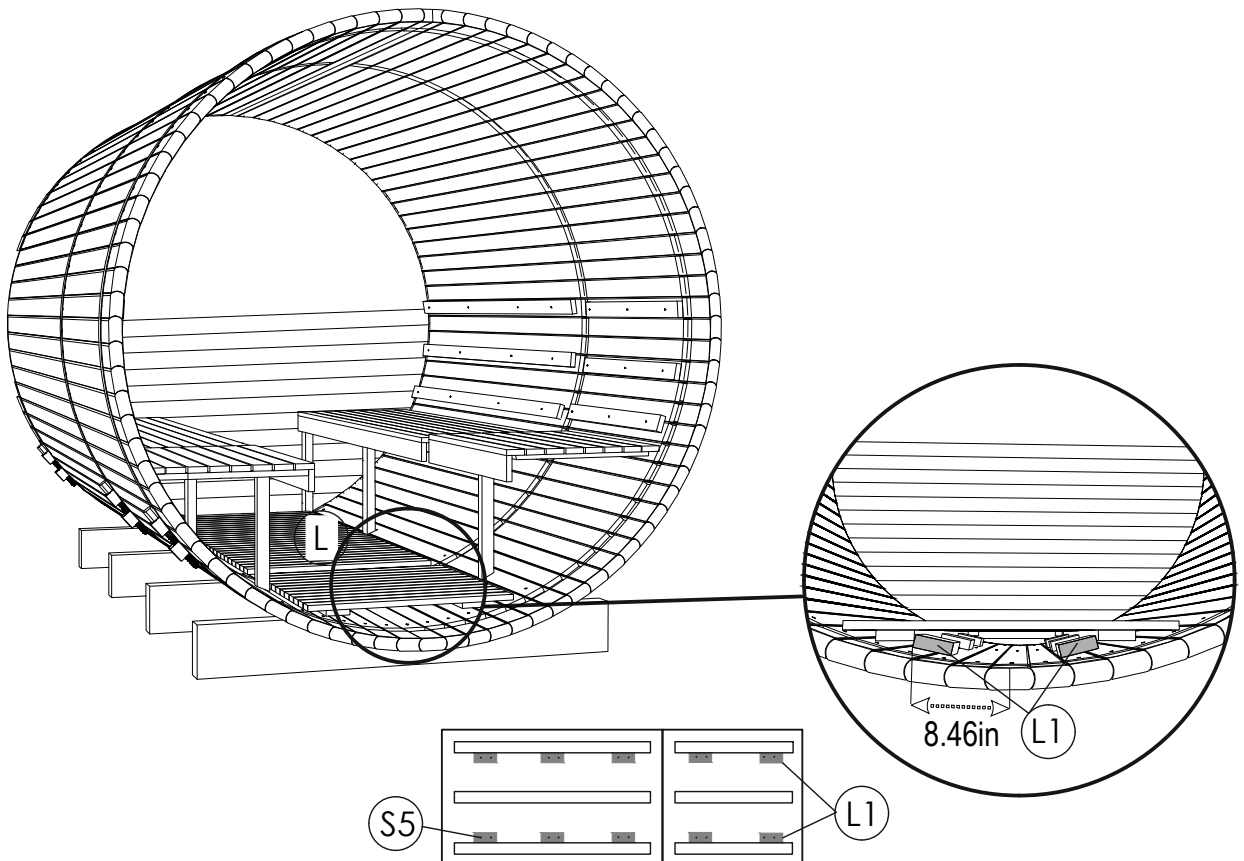
STEP 14: Install backrests (J2) at your chosen height using screw 4.0 x 50 SS (S5). Fix sauna bench (J) to wall mounts and support leg using 5 x70 SS (S6) screws.



STEP 15: Install interior supporting leg (J1) in the center of bench (J). Stand bench on side wall mounts. Place J1 in the center and check the level. Using screw 5.0 x 70 SS (S6) fix bench leg to the wall and floor. Install backrests (J5) at your chosen height using screw 4.0 x 50 SS (S5). Fix sauna bench (J) to wall mounts and support leg using 5 x70 SS (S6) screws.



STEP 16: Install fixing blocks (L1) under floor duckboard. Place floor duckboards (L).



STEP 17: After shingles installation fix front and rear decorative roof finishing boards (W), fixing by screws 4.2x55(S7).

