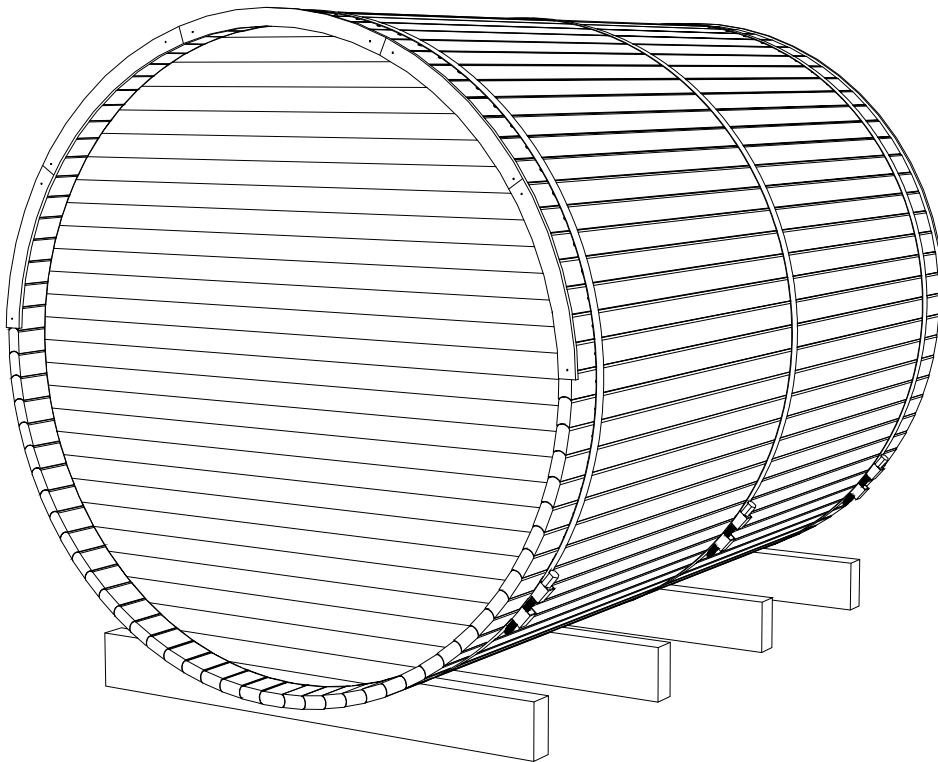
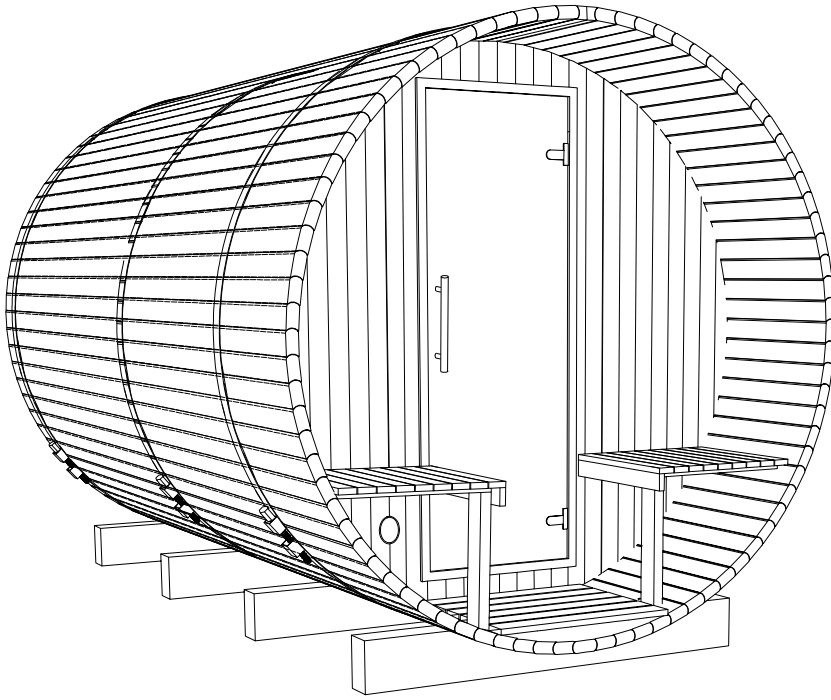


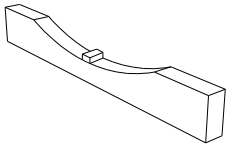
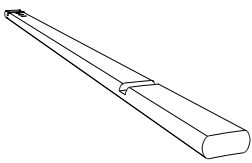
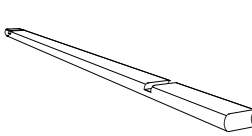
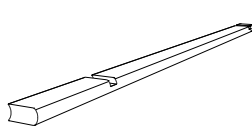
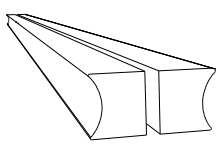
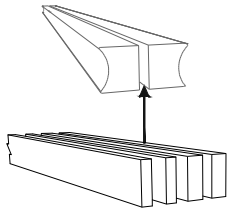
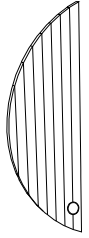
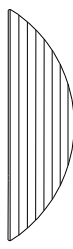
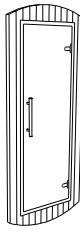
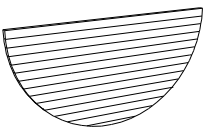
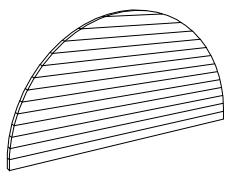
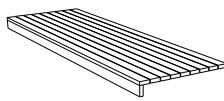
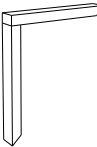
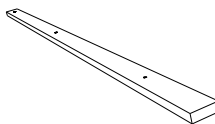
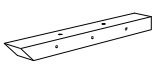
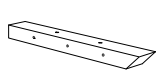
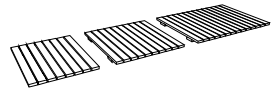
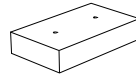
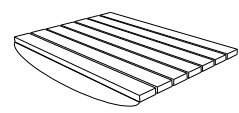
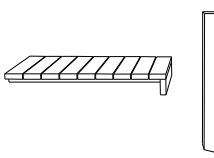
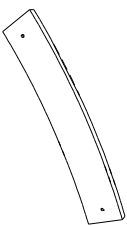
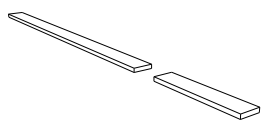
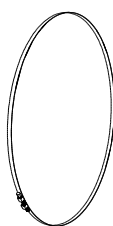
BARREL SAUNA

ASSEMBLY INSTRUCTION







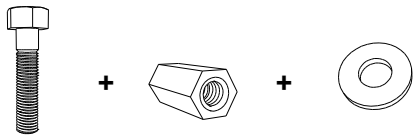


MODEL: DIY SAUNA RT-229-300

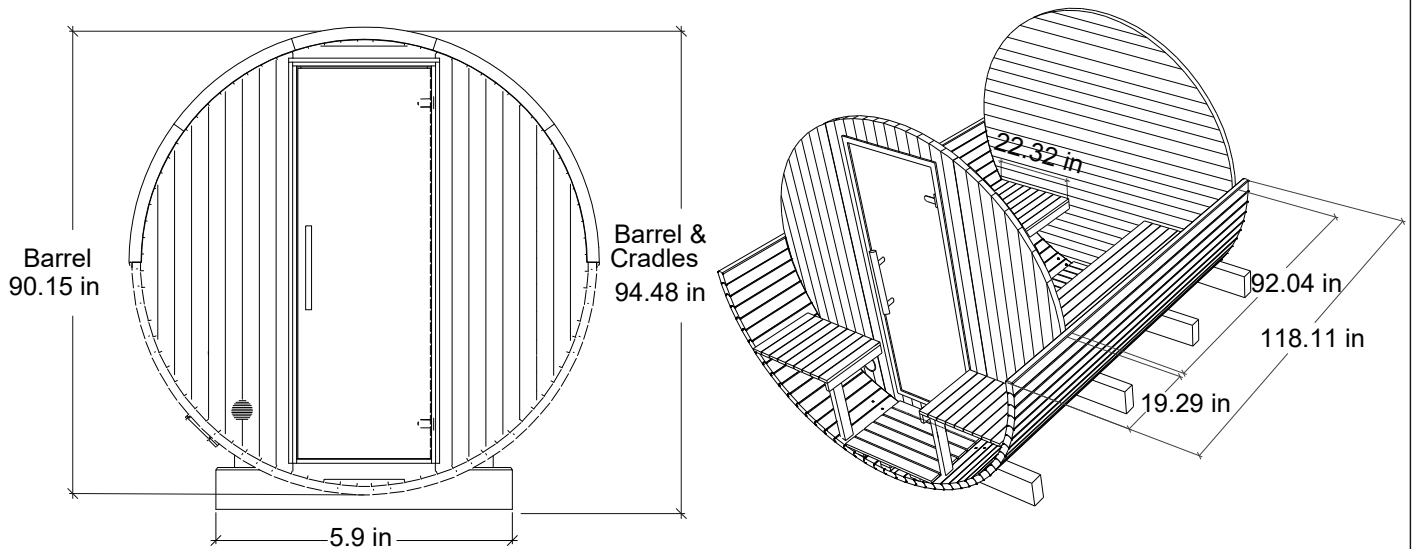
PART LIST

<p>A x4</p> 	<p>B x1</p> 	<p>A x45</p> 	<p>C1 x45</p> 	<p>H x2</p> 
<p>cradle</p>	<p>center stave</p>	<p>left side body stave</p>	<p>right side body stave</p>	<p>final H tipe stave at the top</p>
<p>H1 x4</p> 	<p>F x1</p> 	<p>F1 x1</p> 	<p>F2 x1</p> 	<p>V x1</p> 
<p>different thickness Filling peaces</p>	<p>left panel section</p>	<p>right panel section</p>	<p>door panel</p>	<p>bottom rear panel</p>
<p>V3 x1</p> 	<p>J x2</p> 	<p>J1 x4</p> 	<p>J2 x6</p> 	<p>J3 x2</p> 
<p>upper rear panel</p>	<p>sauna bench</p>	<p>supporting leg</p>	<p>backrest stave</p>	<p>wall mount</p>
<p>J4 x2</p> 	<p>L x3</p> 	<p>L1 x10</p> 	<p>L2 x1</p> 	<p>K x2</p> 
<p>wall mount</p>	<p>Flooring duckboard</p>	<p>Fixing block for Flooring duckboard</p>	<p>Flooring duckboard (outside)</p>	<p>benches</p>
<p>W x10</p> 	<p>O x1</p> 	<p>I x3</p> 		
<p>decorative roof Finishing board</p>	<p>aspen roof board</p>	<p>metal band</p>		

PART LIST

S1 x60 	S2 x100 	S7 x25 	S4 x8 	S5 x70 
screw 5.0x100 SS	screw 4.0x70	screw 4.2x55 brown	screw 5.0x120	screw 4.0x50 SS
S6 x45 			S9 x3 + x3 + x6 	
screw 5.0x70 SS			bolt ø12x140	hex nut M12 (SW19) Flat washer

BARREL DIMENSIONS

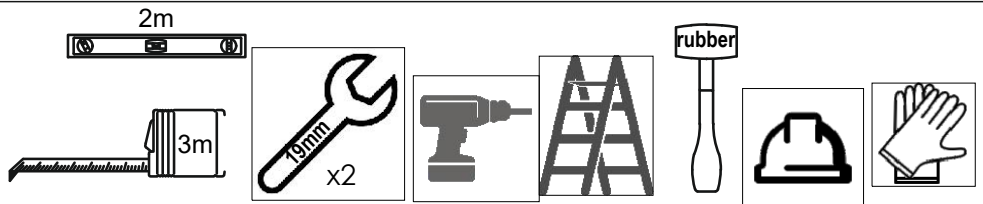


RECOMMENDATION

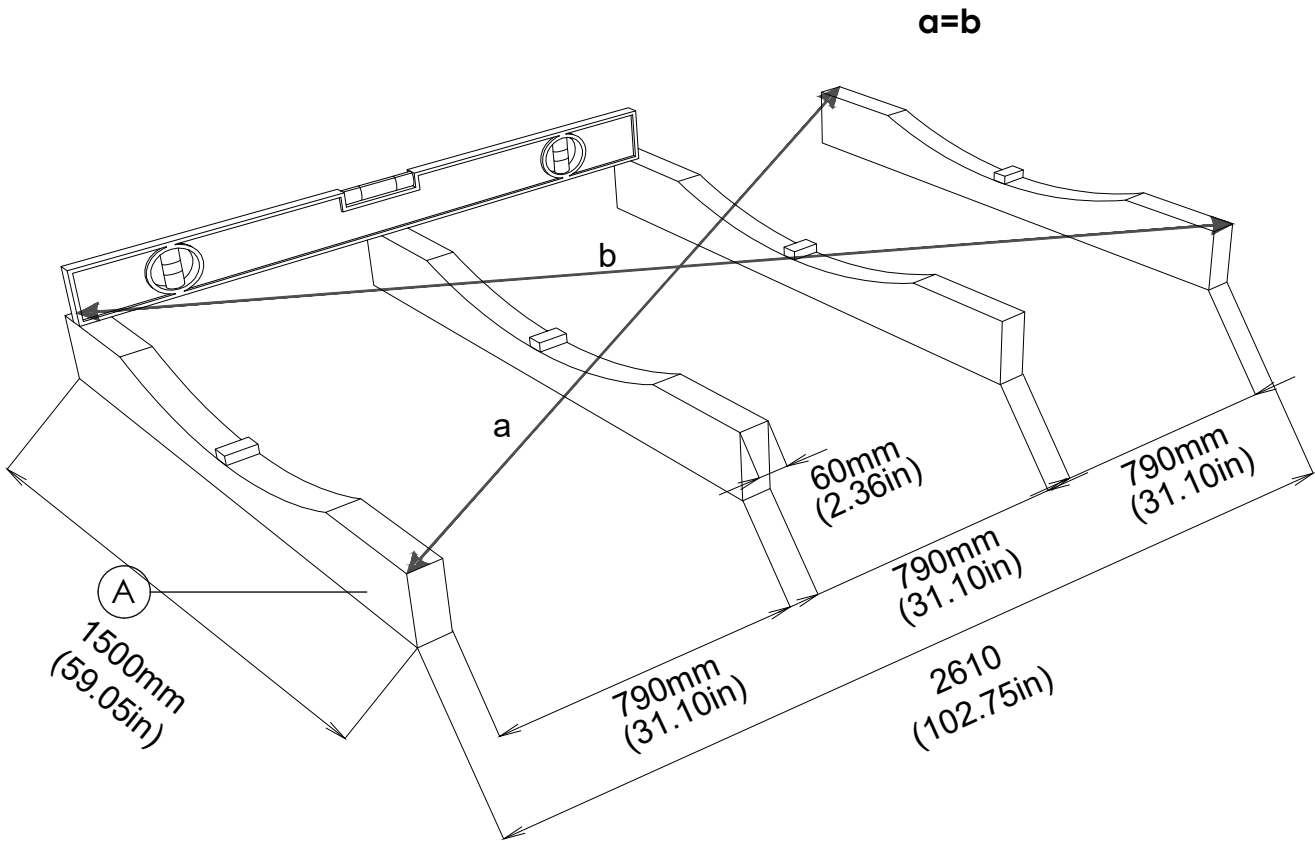


2 person recommended

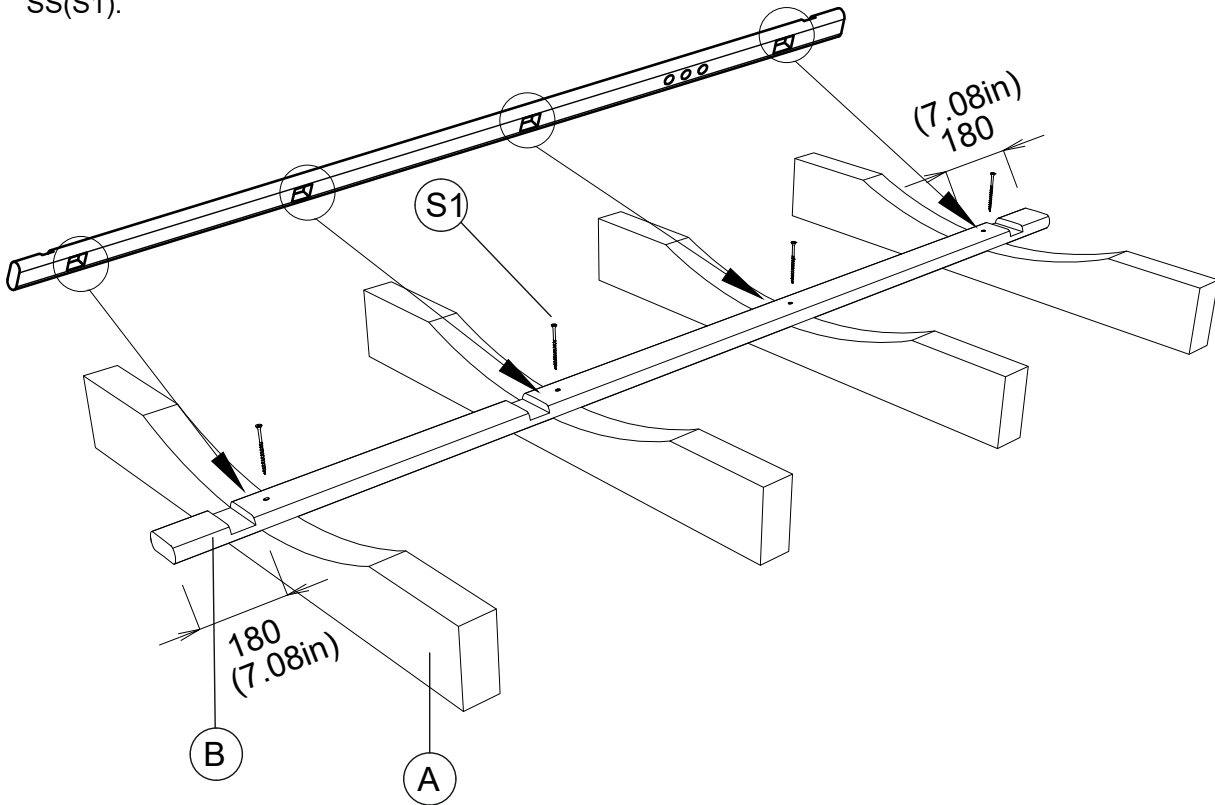
TOOLS REQUIRED



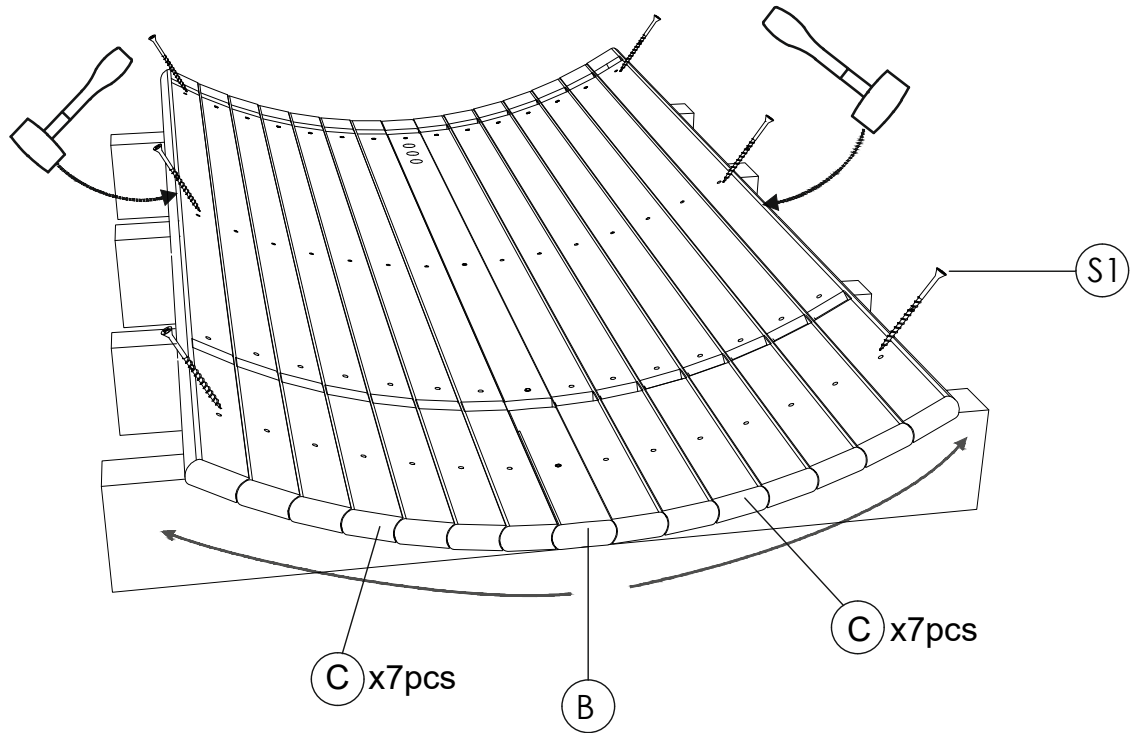
STEP 1: Measure support cradles (A) diagonally from corner to corner. Measurements "a" and "b" should be equal to ensure the cradles are square. Be sure cradles remain level.



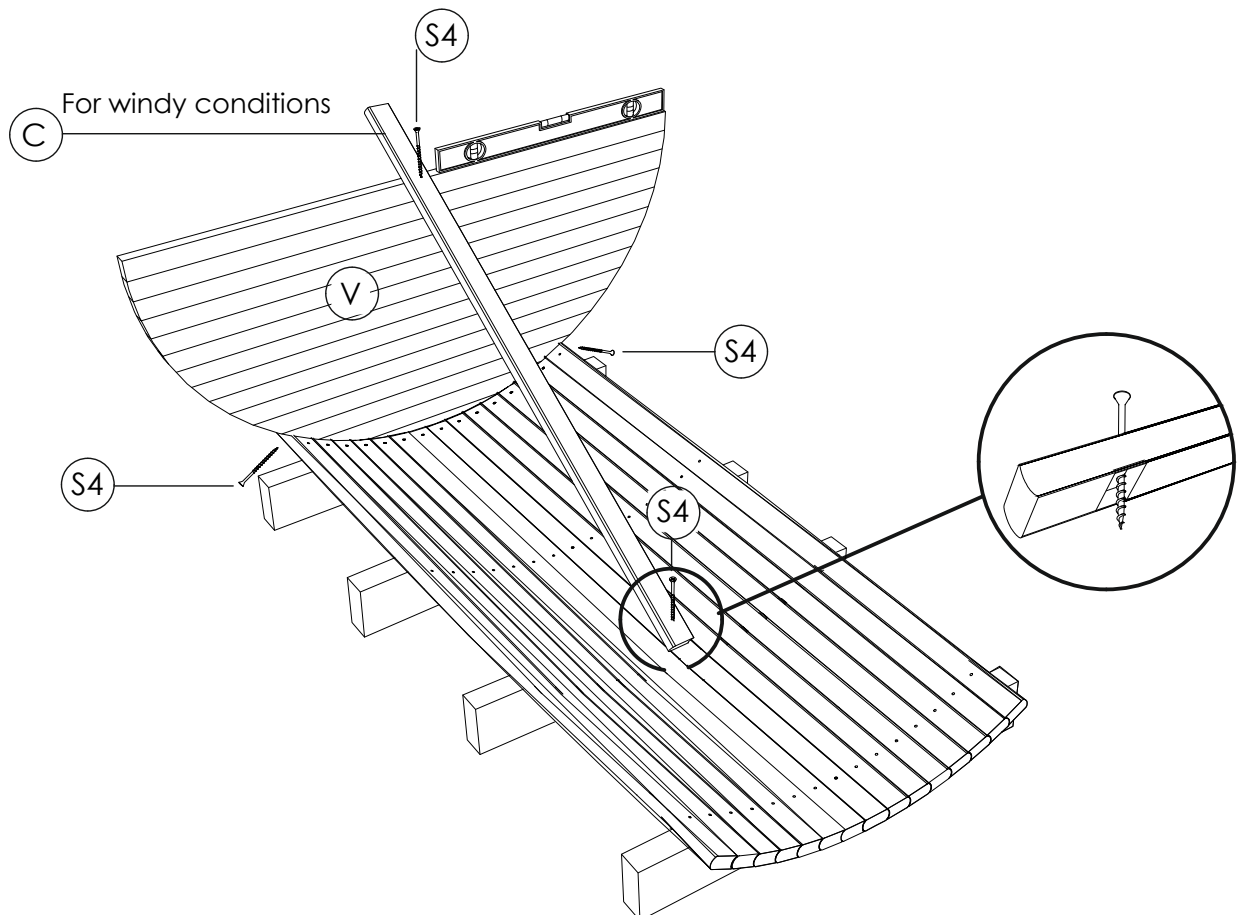
STEP 2: Place the support cradles (A) on level site. Carefully level for better stability. Place the center stave (B) on wooden dowels embedded in outer support cradles (A). Fix the center stave (B) with 5.0x100 SS(S1).



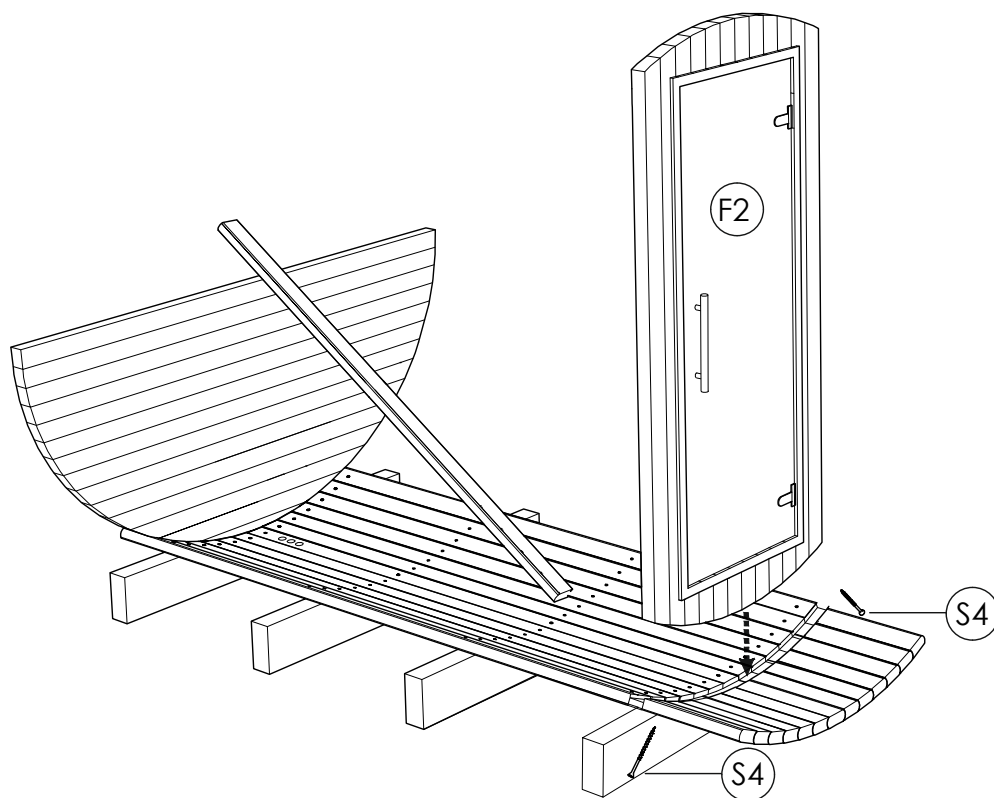
STEP 3: Place 7 sauna body staves (C) to each side of the center stave (B) and fix with screws 5.0x100 SS (S1). Be sure to align the panel groove on every next body stave, to do that use rubber hammer.



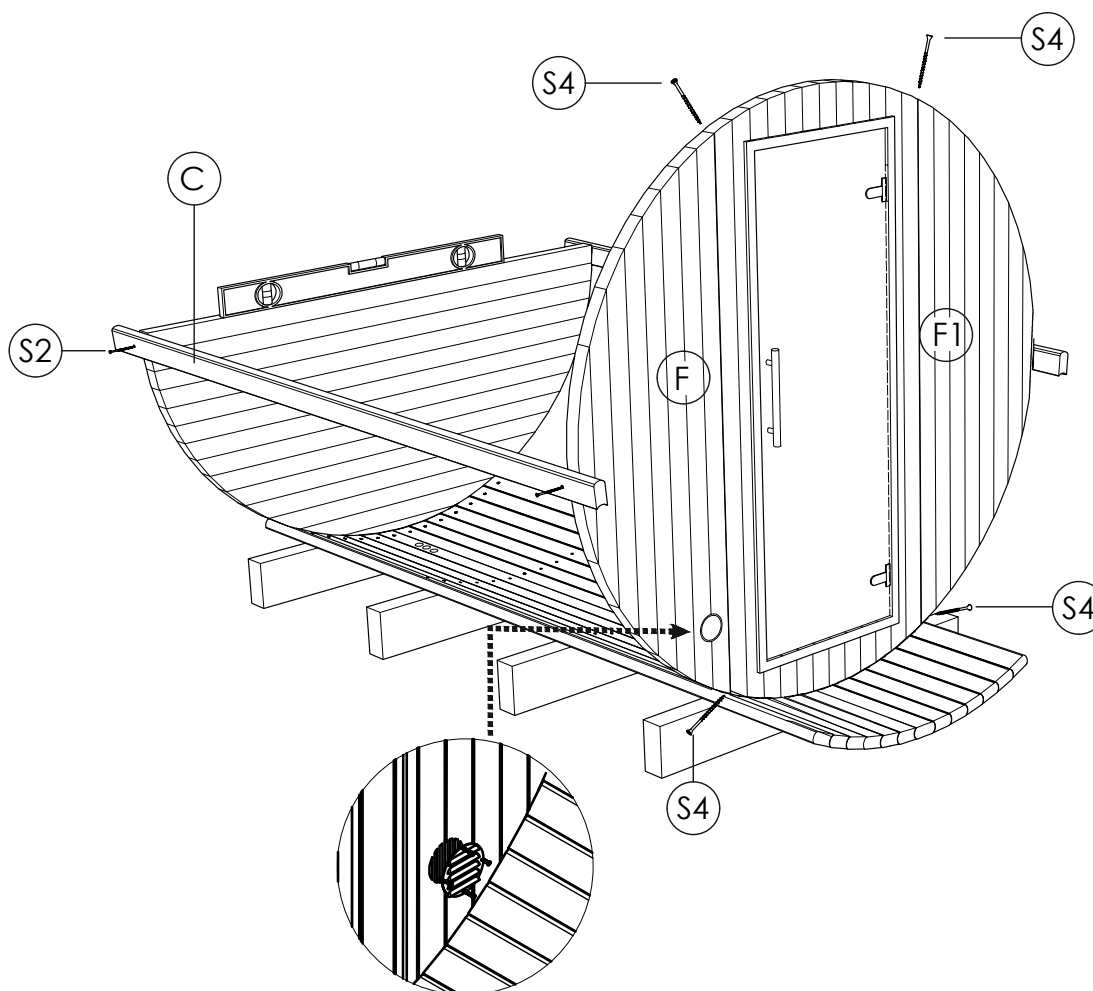
STEP 4: Place rear panel (V) in stave groove, be sure panel is centered, leveled, completely seated. Fix panel using 5.0 x 120 (S4) screws through last floor stave on both sides.



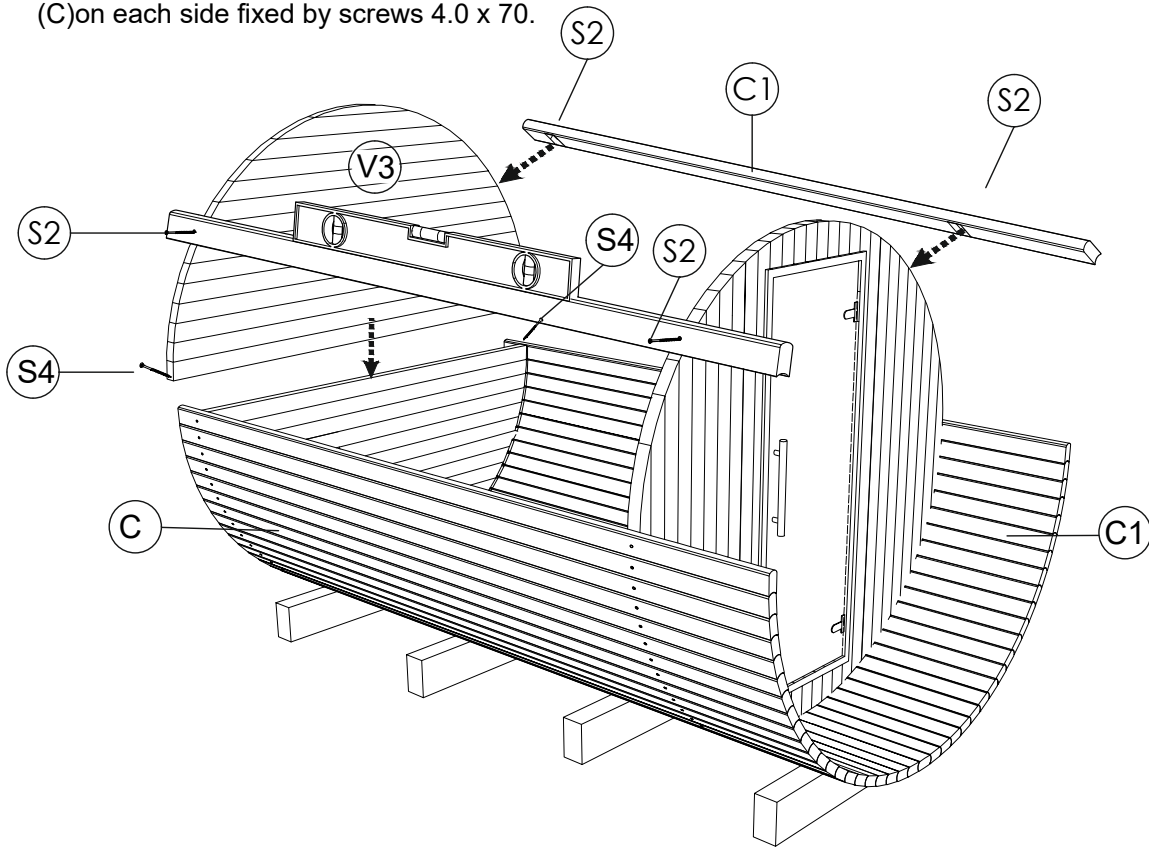
STEP 5: To install the door panel (F2), place it in the groove in front of the stave. Make sure that the panel is centered, level, and completely seated. Then, use two screws (S4) that are 5.0 x 120 in size to fix it on each side of the last stave from underneath. For safety purposes, it is recommended that one person hold the door panel while it is being fixed.



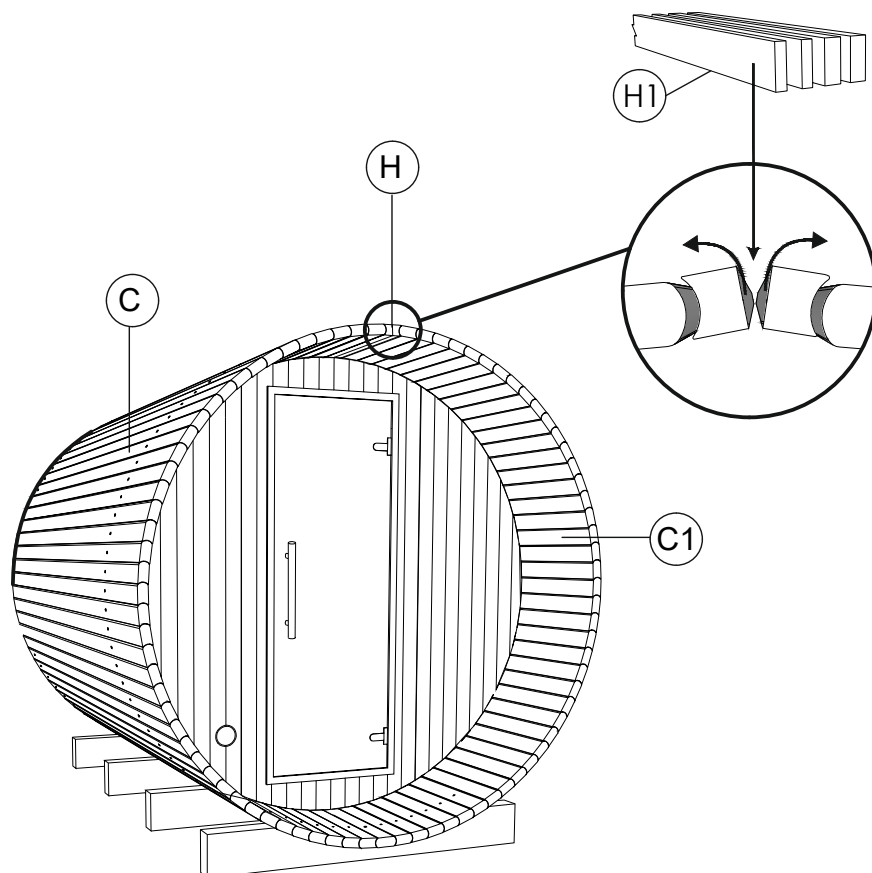
STEP 6: Attach side panel (F; F1) using 5.0 x 120 (S4) screws. One person still holds door panel. Place body stave (C) on rear and front panel to connect both panels using 4.0 x 70 SS (S2) screws. Check panel level before fix them. These panels must be completely seated into the floor groove. Fix ventilation grill from inside on ventilation cuts.



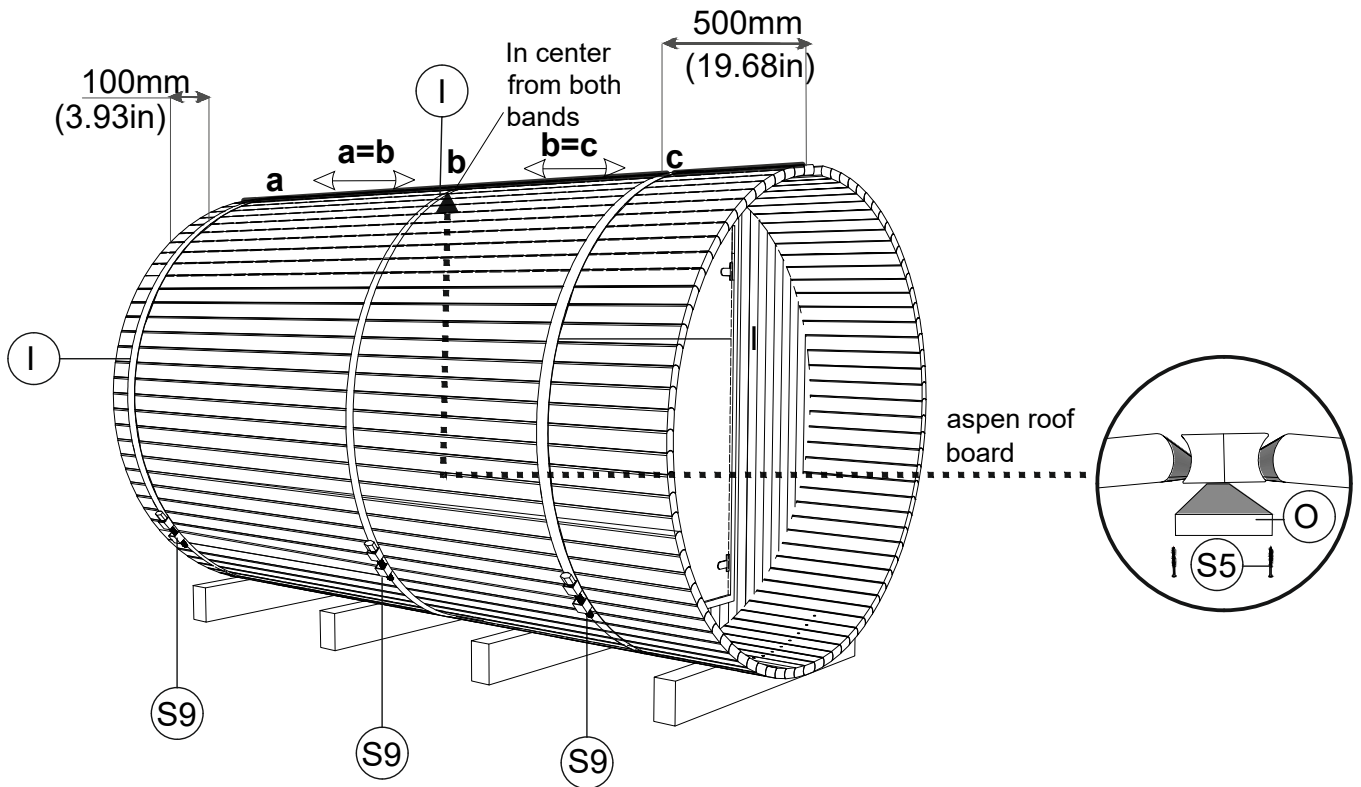
STEP 7: Place body staves (C,C1) until the halfway point on each side at the same time. Place rear panel with panoramic window (V1) on top of a rear panel (V), Fix by screw 5.0 x 120 (S4). One is holding rear panel till on both sides staves are fixed. Bind panels (F2; V1) together by temporarily placing two body staves (C) on each side fixed by screws 4.0 x 70.



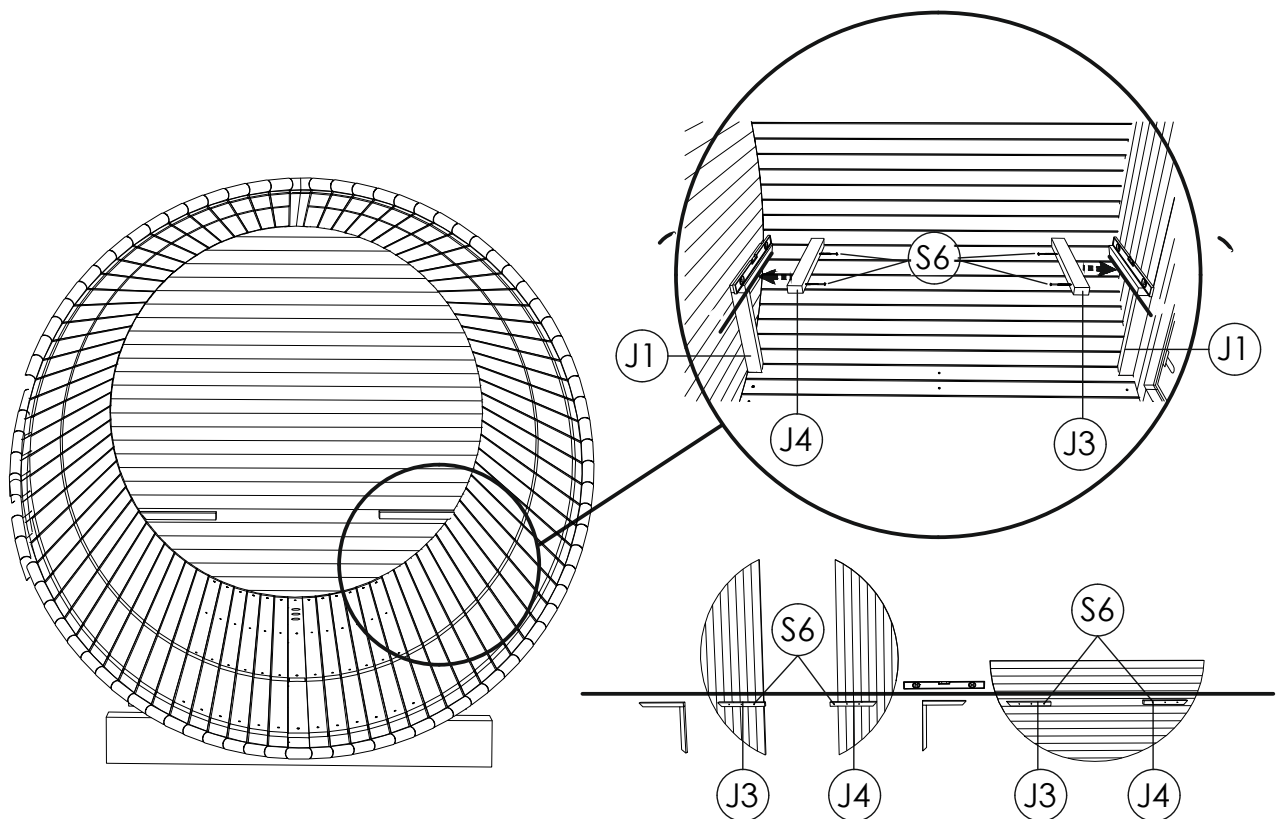
STEP 8: Continue placing body staves (C,C1) tightly on both sides of the sauna using rubber mallet, and fixing body staves with screws 4.20x70(S2) . To finish the roof top joint, use roof finishing item (H). Different thickness filling peaces (H1)are provided to completely fill the gap.



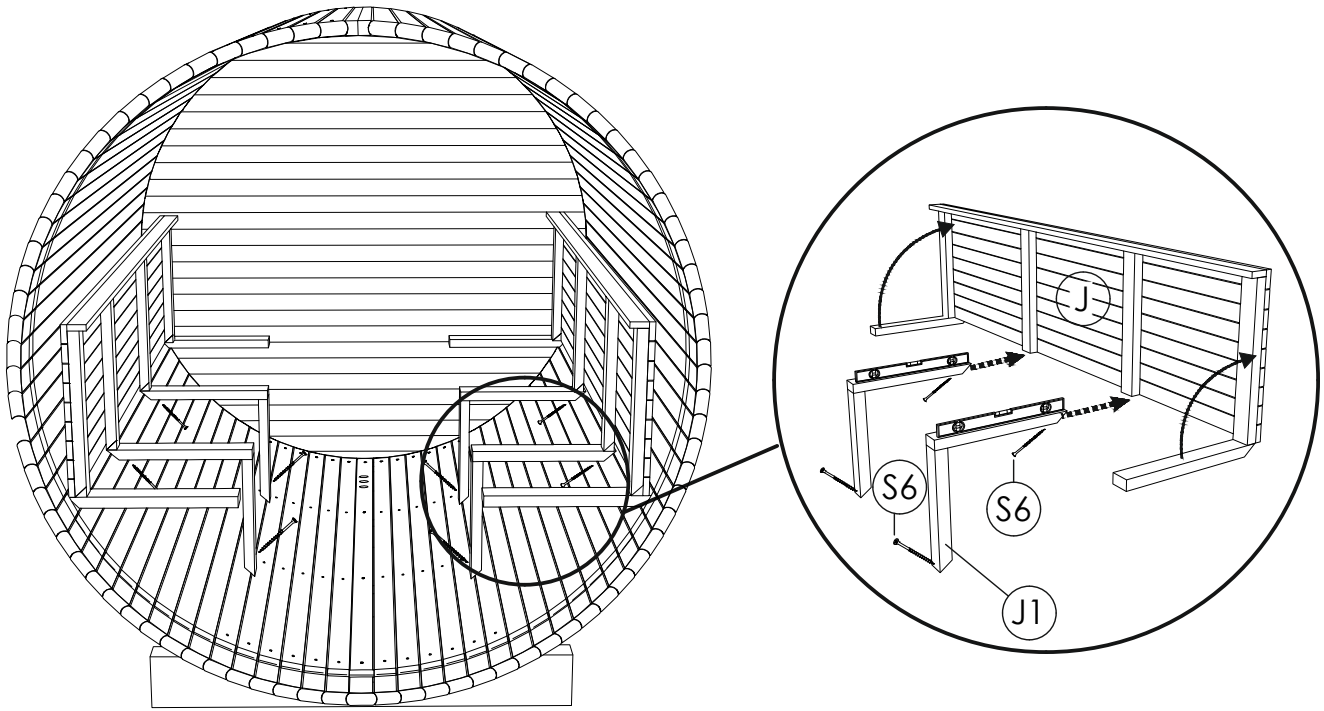
STEP 9: Install steel bands (I) by wrapping bands around barrel prior to connecting with bolts and nuts (S9). Place steel bands evenly around barrel, covering screw heads. Measure steel band to barrel edge to ensure the steel band is even all around barrel. Install interior aspen roof trim (O) with 4.0 x 50 SS (S5) screws.



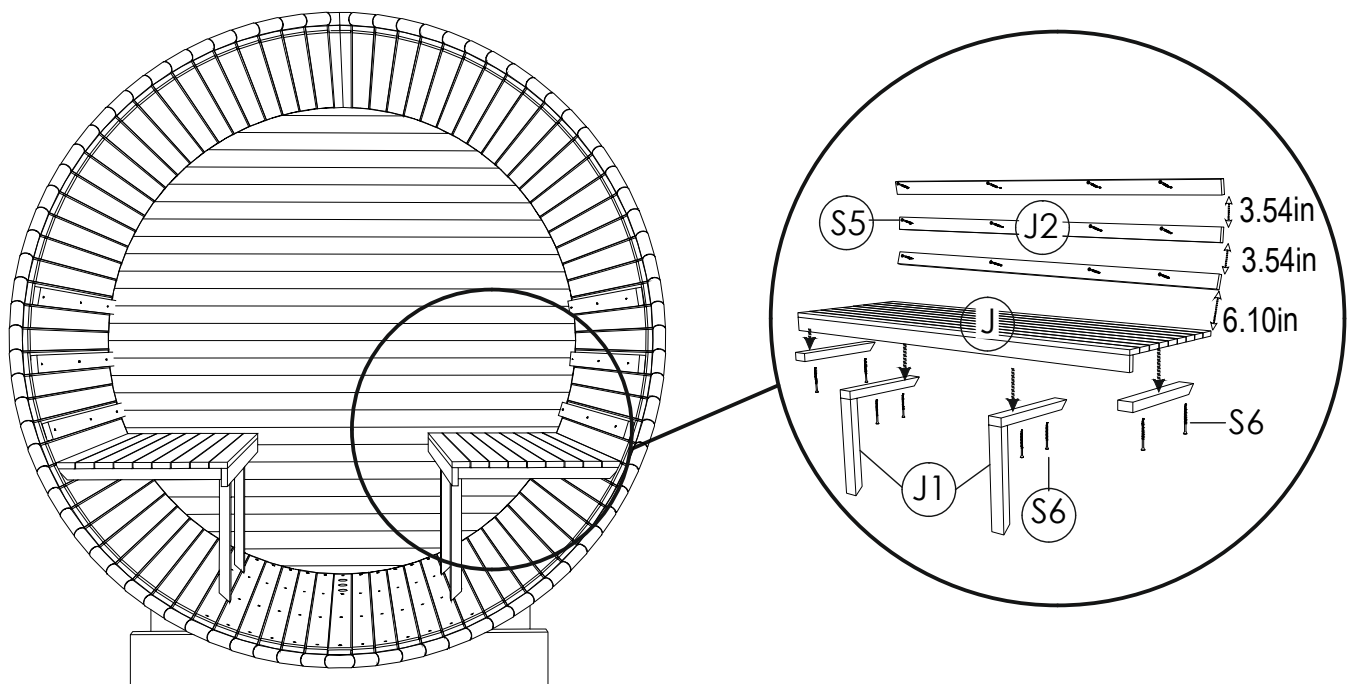
STEP 10: To install wall mounts (J3, J4) use interior supporting leg (J1). Put it on the sauna wall in level, mark a line where wall mounts will stand. Using screw 5.0x70 SS (S6) fix wall mounts (J3, J4) on the marked lines.



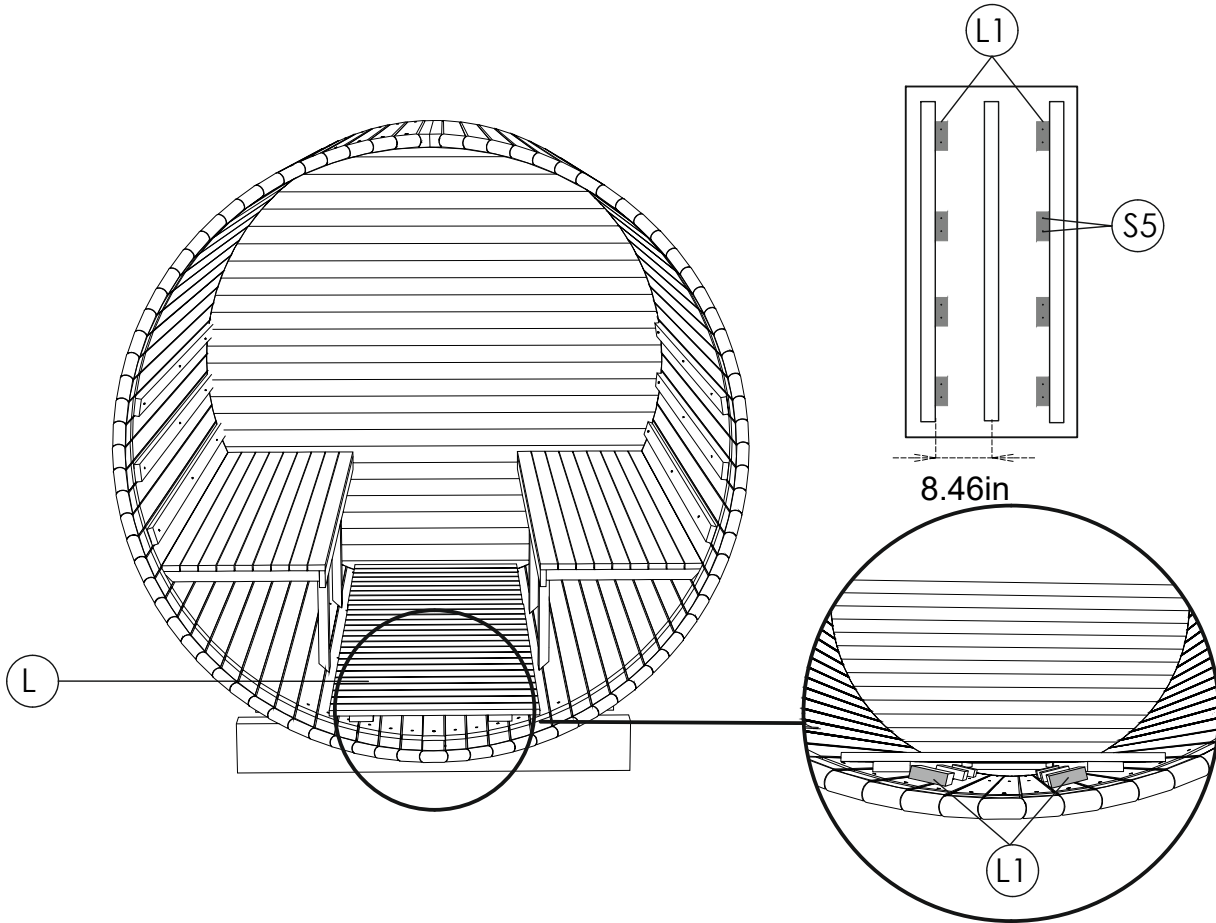
STEP11: Install interior supporting leg (J1) in the center of bench (J). Stand bench on side wall mounts. Place (J1) opposite to bench cross boards in the center and check the level. Using screw 5.0 x 70 SS (S6) fix bench leg to the wall and floor.



STEP 12: Install backrests (J2) at your chosen height using screw 4.0 x 50 SS (S5). Fix sauna bench (J) to wall mounts and support leg using 5 x70 SS (S6) screws.



STEP 13: Install fixing blocks (L1) under floor duckboard. Place floor duckboards (L).



STEP 14: After shingles installation fix front and rear decorative roof finishing boards (W), fixing by screws 4.2x55(S7). Install porch benches (K), using screws 5.0 x 70 SS (S6) and 5.0 x 100 SS (S1). Hold the seat and leg assembly tight to the sauna wall. Using a level, make sure the bench seat is level from front to back. This will ensure proper placement.

