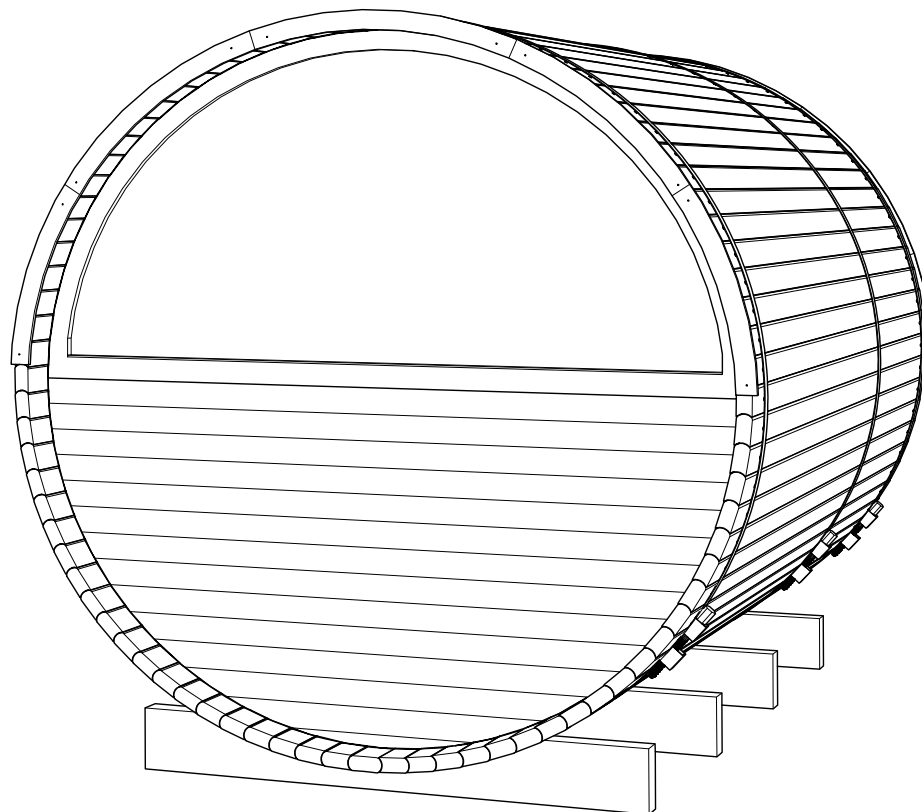
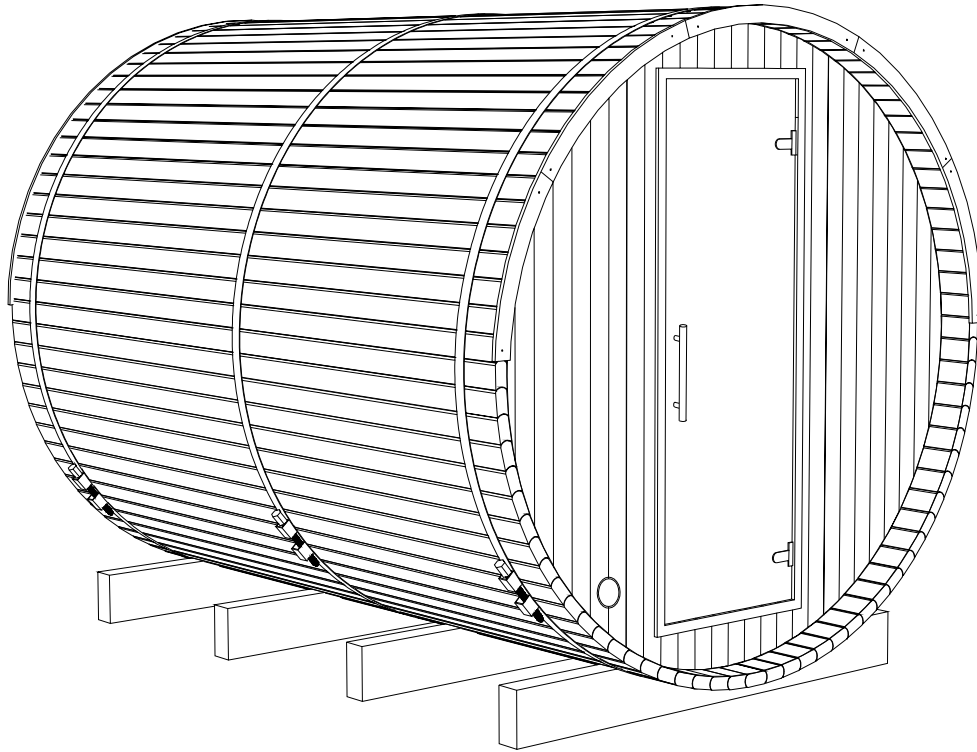


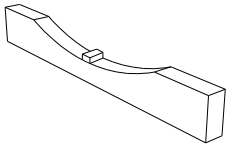
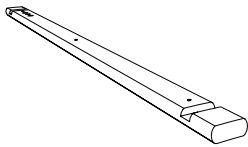
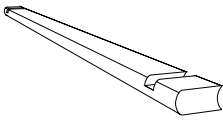

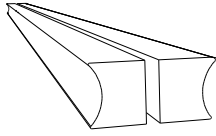
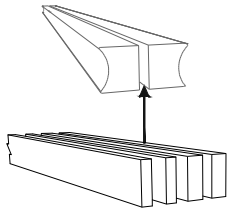
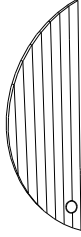

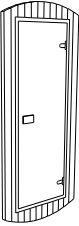
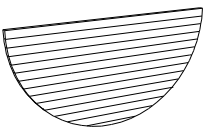
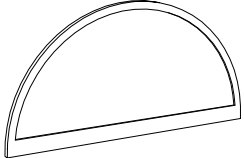
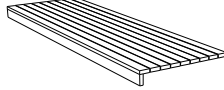
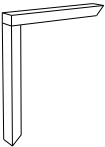
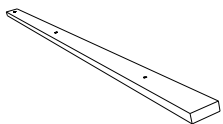
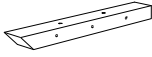
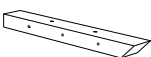
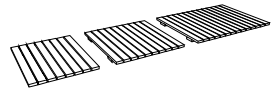
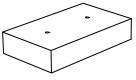
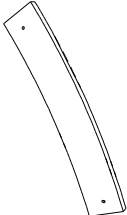
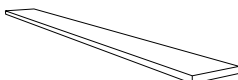
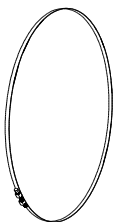




BARREL SAUNA

ASSEMBLY INSTRUCTION




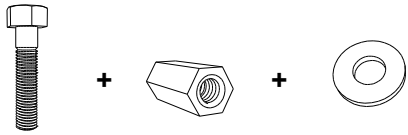


MODEL: DIY SAUNA RP-229-300

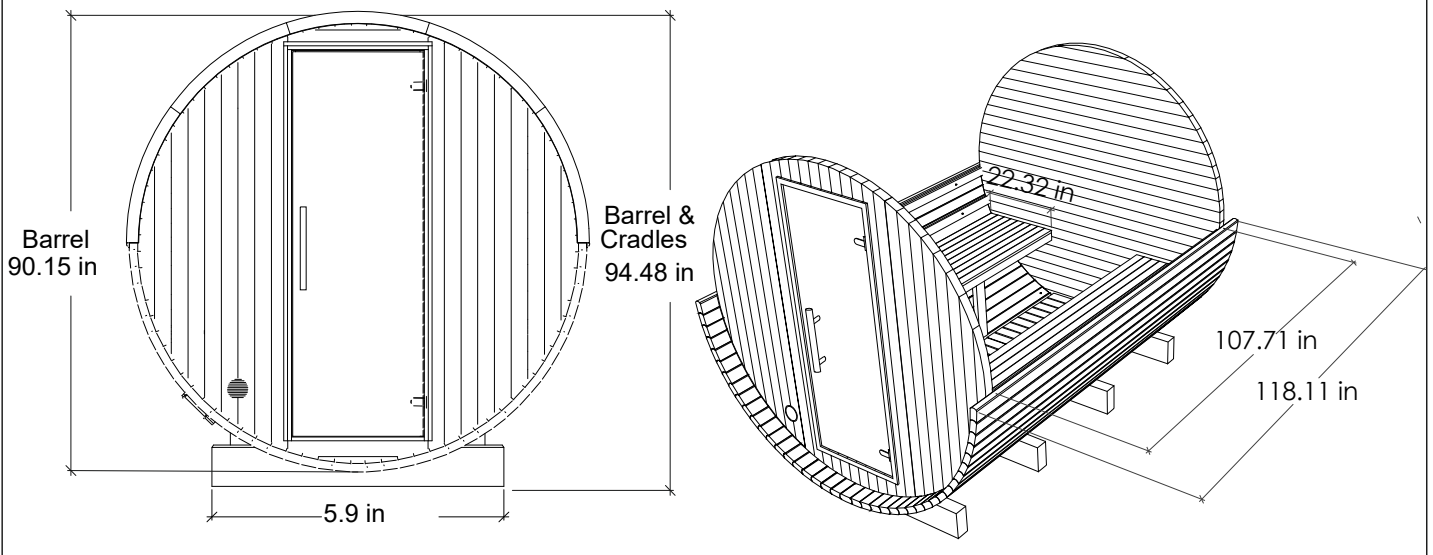
PART LIST

<p>A x4</p> 	<p>B x1</p> 	<p>A x90</p> 	<p>D x3</p> 	<p>H x2</p> 
cradle	center stave	body stave	Cable canal (for LED option)	final H tipe stave at the top
<p>H1 x4</p> 	<p>F x1</p> 	<p>F1 x1</p> 	<p>F2 x1</p> 	<p>V x1</p> 
different thickness Filling peaces	left panel section	right panel section	door panel	bottom rear panel
<p>V1 x1</p> 	<p>J x2</p> 	<p>J1 x4</p> 	<p>J2 x6</p> 	<p>J3 x2</p> 
upper rear panel	sauna bench	supporting leg	backrest stave	wall mount
<p>J4 x2</p> 	<p>L x3</p> 	<p>L1 x10</p> 	<p>W x10</p> 	<p>O x1</p> 
wall mount	Flooring duckboard	Fixing block for Flooring duckboard	decorative roof Finishing board	aspen roof board
<p>I x3</p> 	<p>S1 x60</p> 	<p>S2 x100</p> 	<p>S4 x8</p> 	<p>S5 x70</p> 
metal band	screw 5.0x100 NT	screw 4.0x70	screw 5.0x120	screw 4.0x50 NT

PART LIST

<p>S6 x50</p> 	<p>S7 x25</p> 	<p>S3 x40</p> 	<p>S9 x3 + x3 + x6</p> 
<p>screw 5.0x70 NT</p>	<p>screw 4.2x55 brown</p>	<p>screw 4.0x50</p>	<p>bolt \varnothing12x140 hex nut M12 (SW19) Flat washer</p>
Empty space for additional parts			

BARREL DIMENSIONS

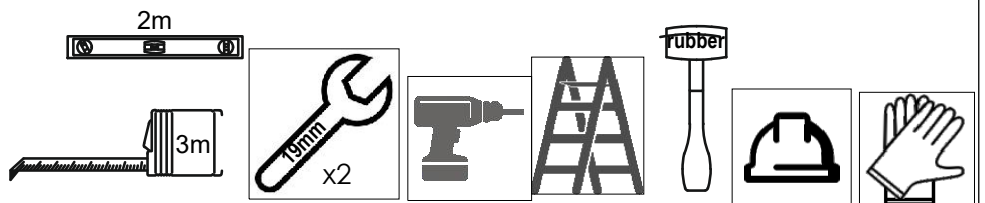


RECOMMENDATION

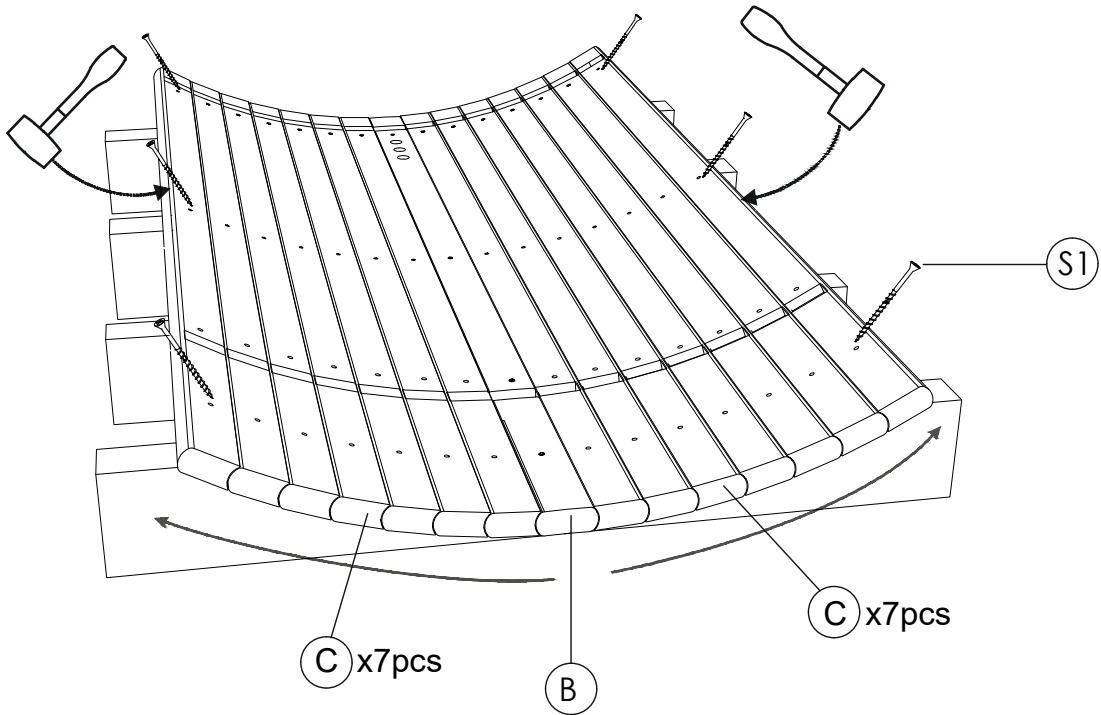


2 person recommended

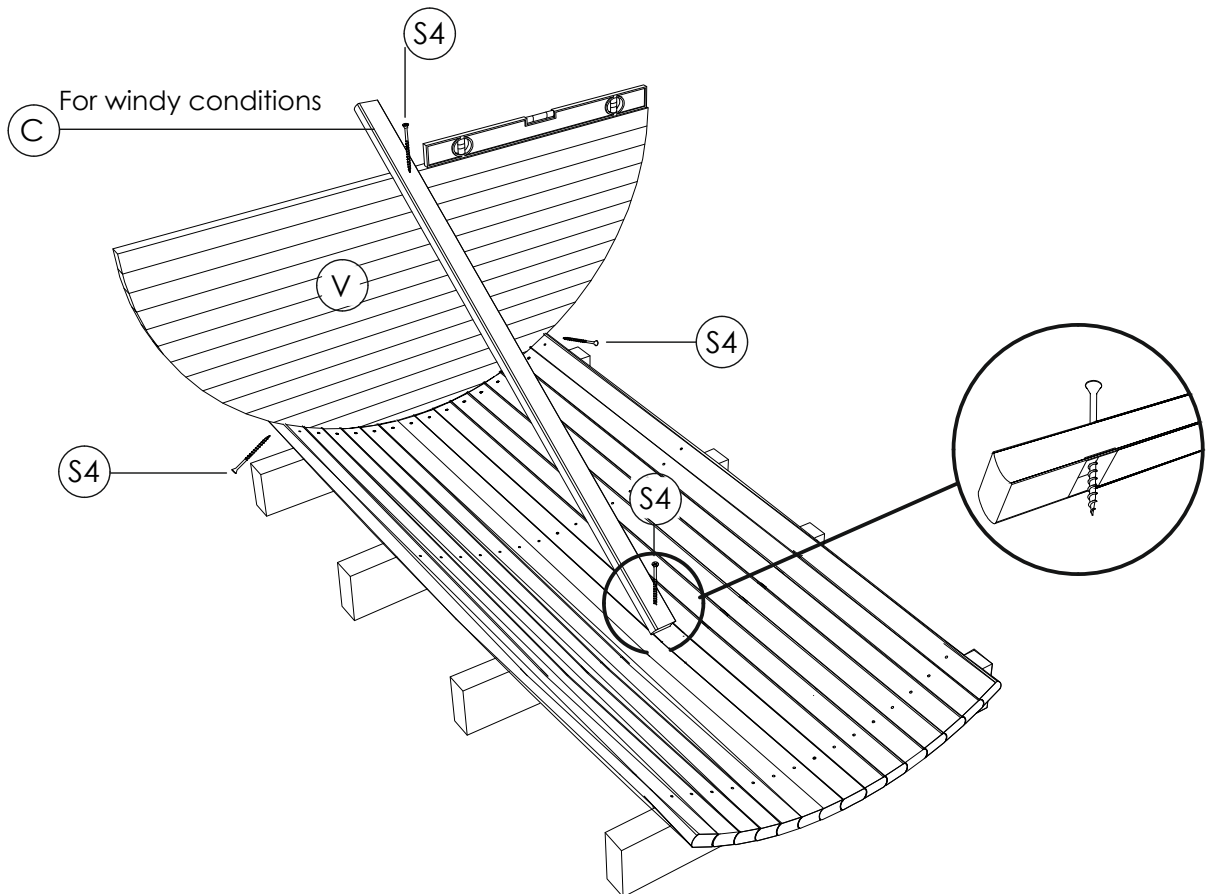
TOOLS REQUIRED



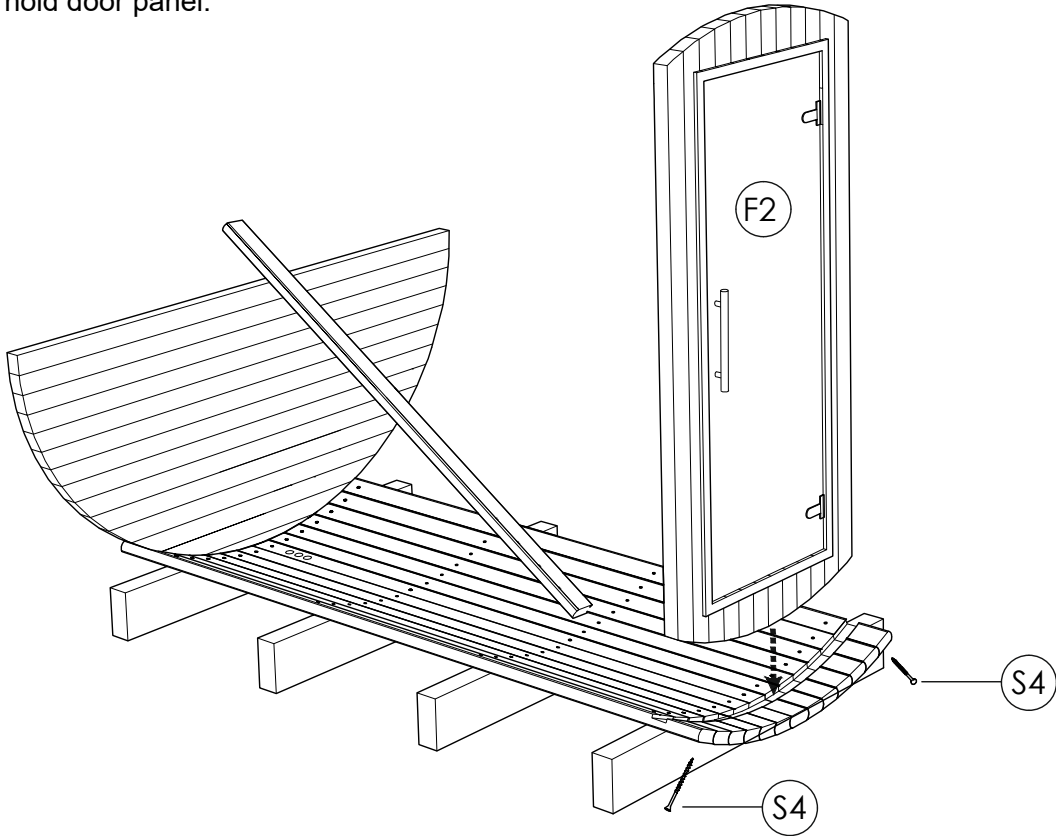
STEP 3: Place 6 sauna body staves (C) to each side of the center stave (B) and fix with screws 5.0x100 SS (S1). Be sure to align the panel groove on every next body stave, to do that use rubber hammer.



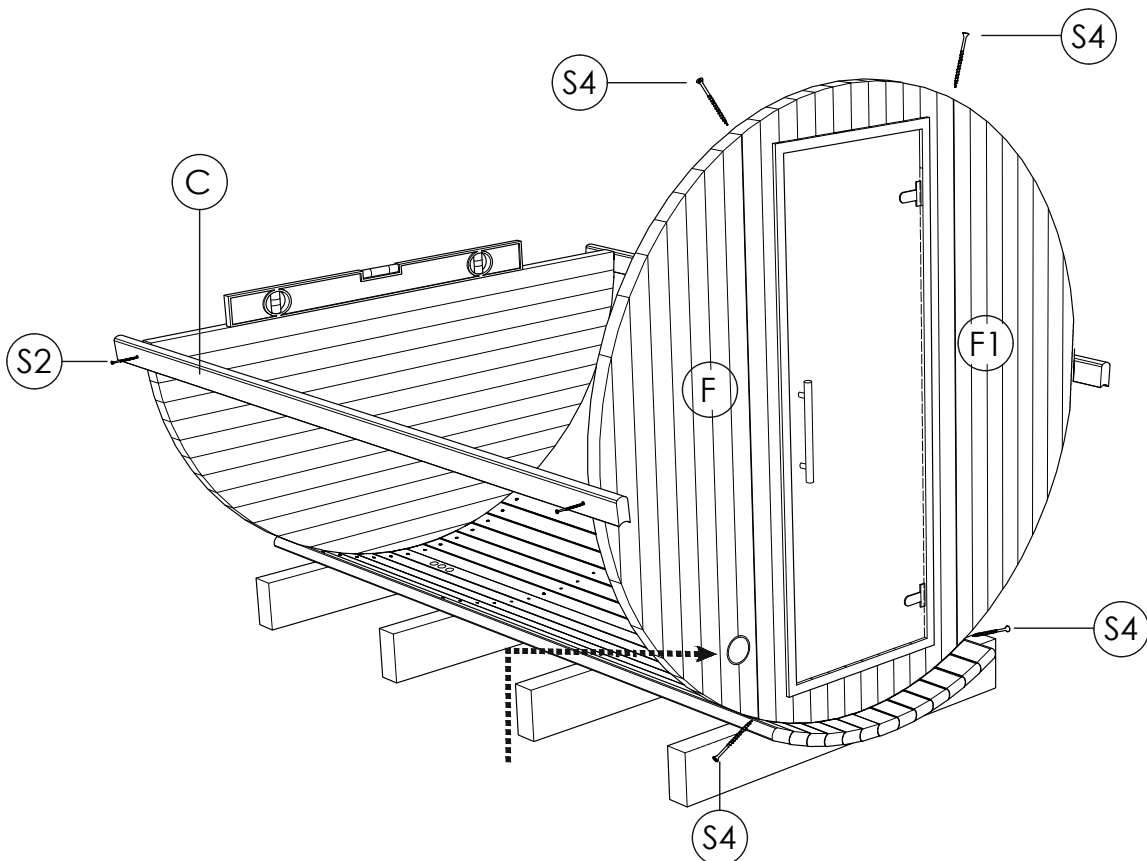
STEP 4: Place rear panel (V) in stave groove, be sure panel is centered, leveled, completely seated. Fix panel using 5.0 x 120 (S4) screws through last floor stave on both sides.



STEP 5: Place door panel (F2) in front stave groove. Be sure panel is centered, leveled, completely seated. Fix it with 2 screws 5.0 x 120 (S4) on each side of last stave from underneath. For safety reasons one person should hold door panel.



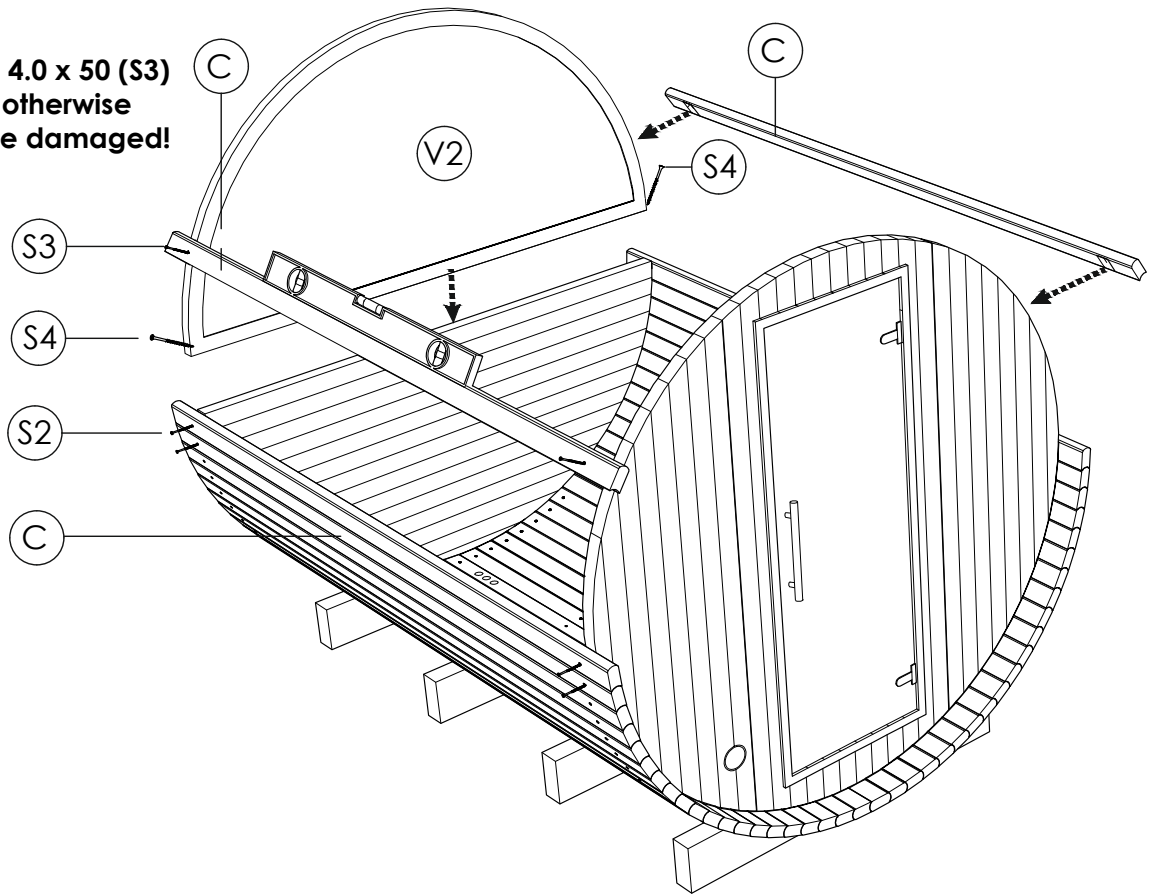
STEP 6: Attach side panel (F) using 4 5.0 x 120 (S4) screws. One person still holds door panel. Place body stave (C) on rear and front panel to connect both panels using 4.0 x 70 SS (S2) screws. Check panel level before fix them. These panels must be completely seated into the floor groove. Fix ventilation grill from inside on ventilation cuts



STEP 7: Put the body staves (C) in place up to the midpoint. Then, take the rear panel with the panoramic window (V1) and position it onto the bottom rear panel (V). Use two 5.0 x 120 screws (S4) to secure it. Connect the panels (F; F2; V1) by temporarily putting two body staves (C) on each side.

WARNING!

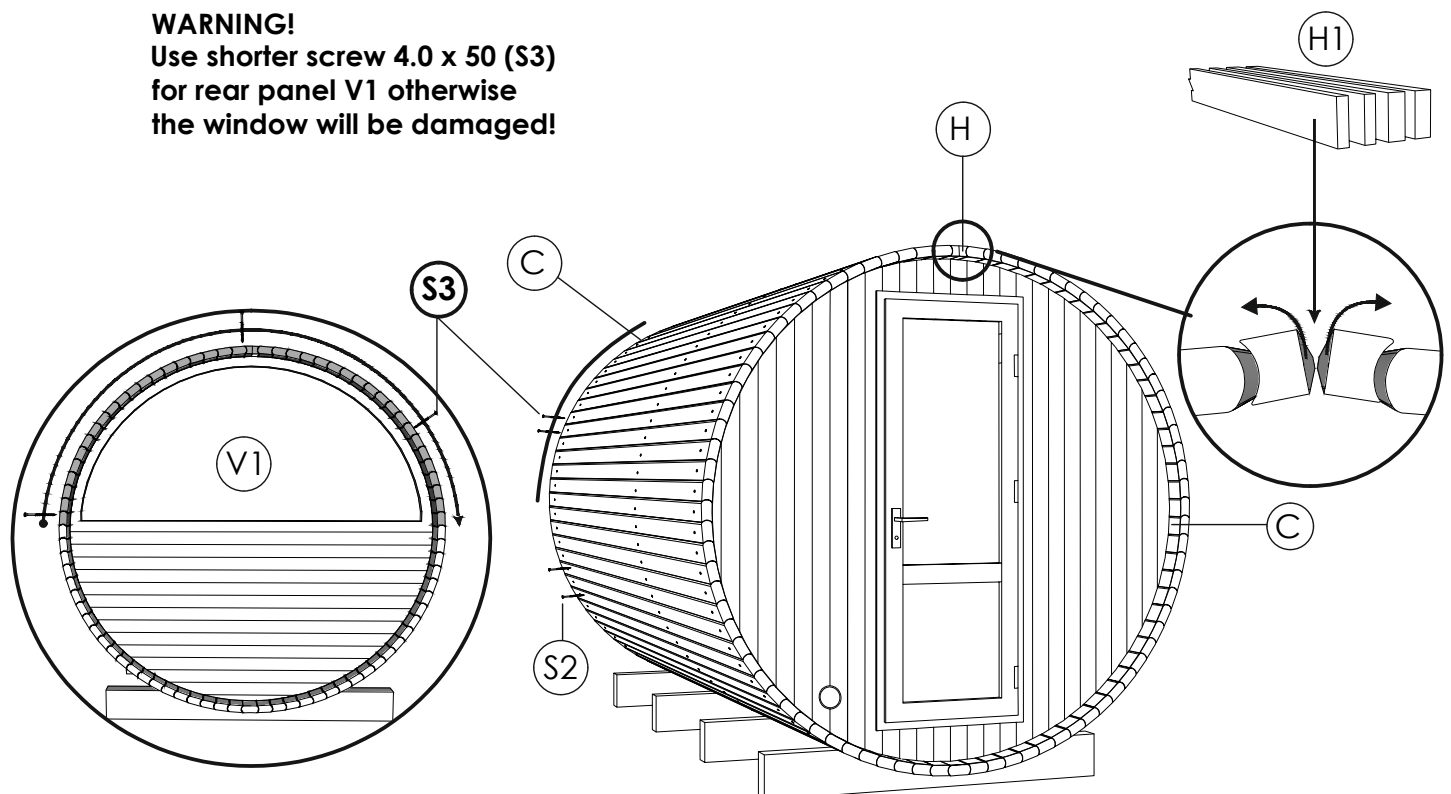
Use shorter screw 4.0 x 50 (S3) for rear panel V1 otherwise the window will be damaged!



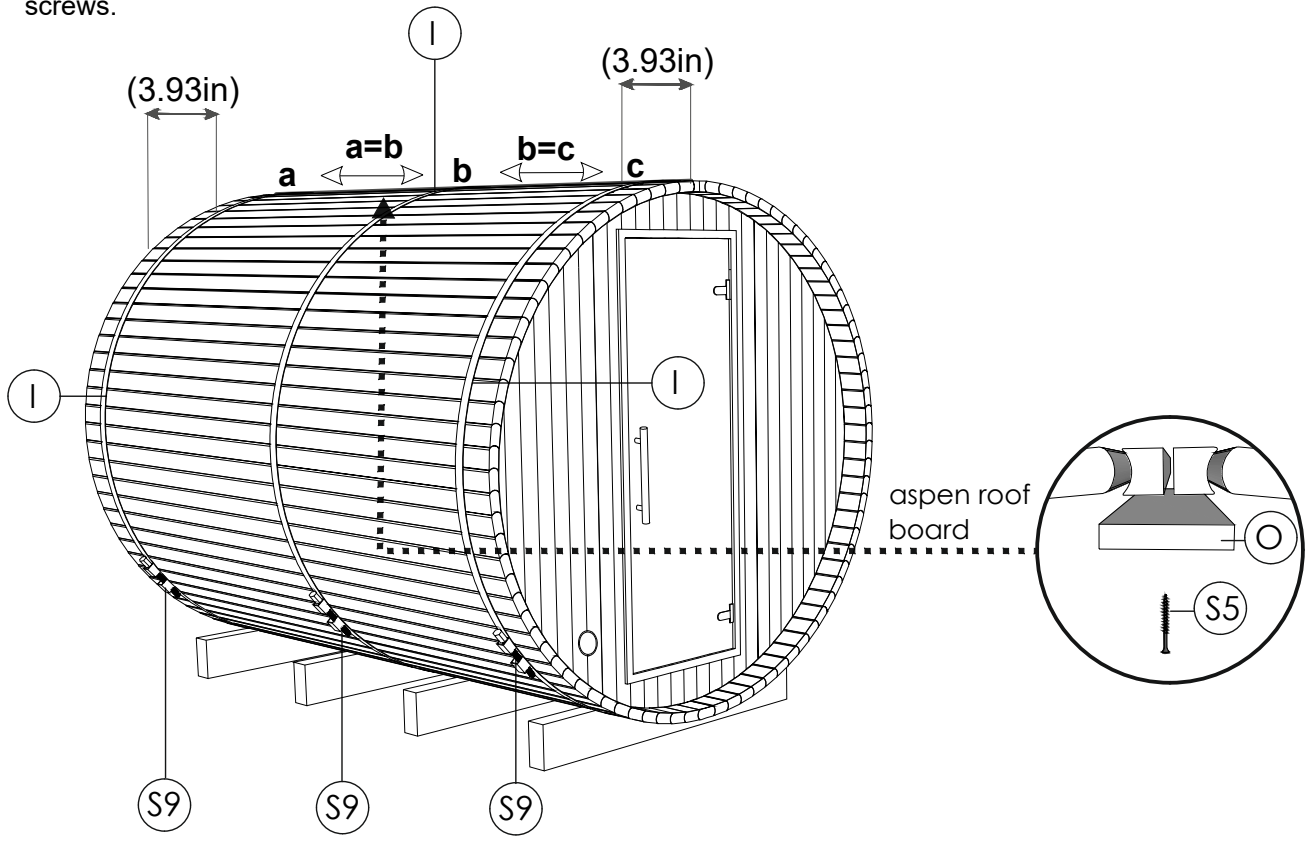
STEP 8: To complete the sauna assembly, continue to tightly place body staves (C) on both sides using a rubber mallet. Secure the body staves on the front panel with 4.20x70 screws (S2) and attach the rear window panel (V1) with 4.0 x 50 screws (S3) to prevent glass from breaking. For the rooftop joint, use the roof finishing item (H) and fill any gaps with the provided filling pieces of varying thickness (H1).

WARNING!

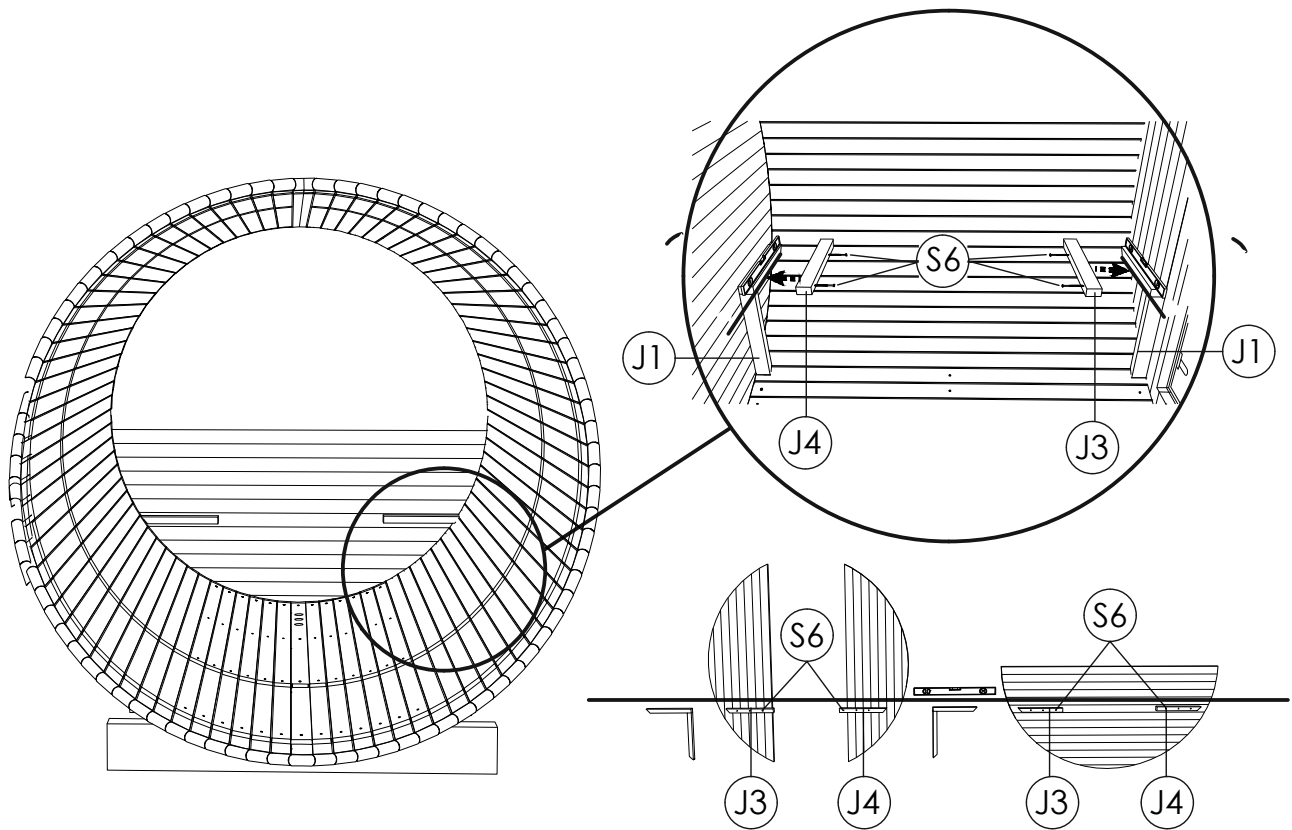
Use shorter screw 4.0 x 50 (S3) for rear panel V1 otherwise the window will be damaged!



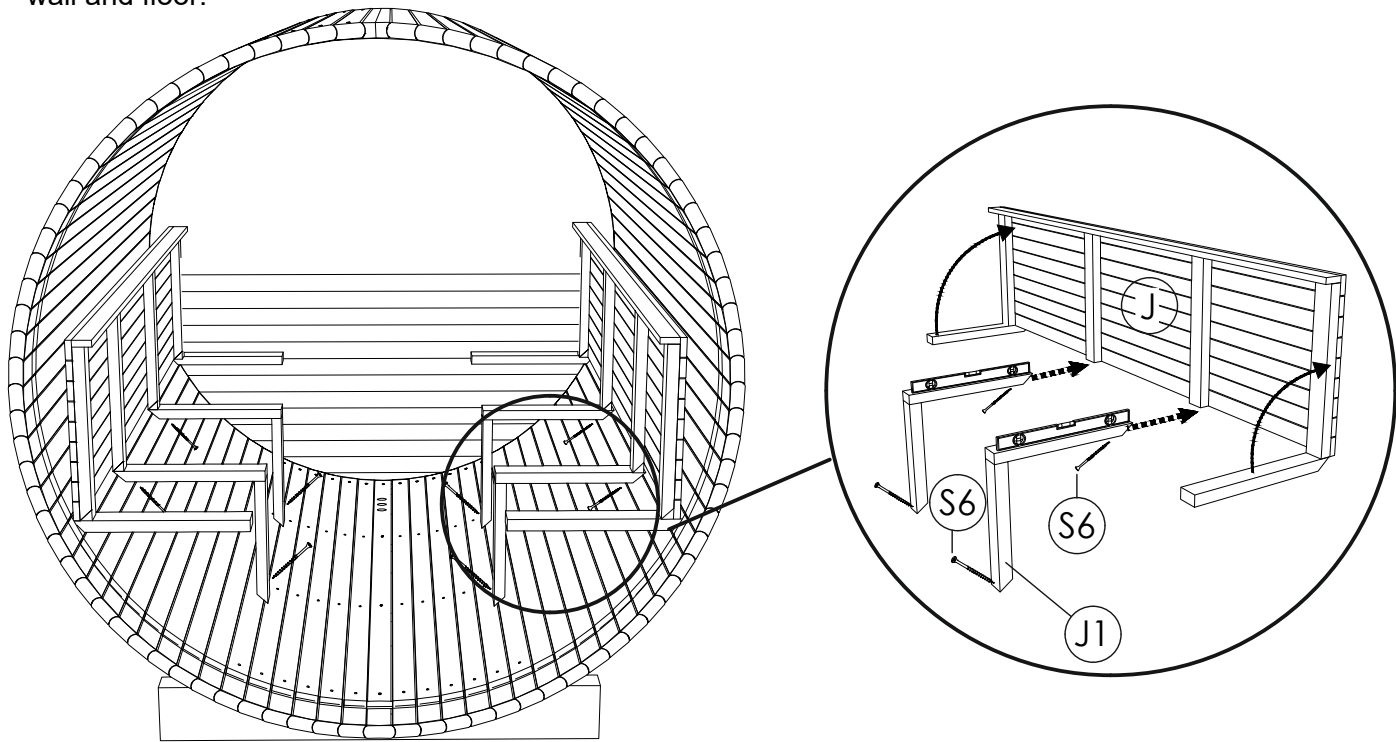
STEP 9: Install steel bands (I) by wrapping bands around the barrel, then connect with bolts and nuts (S9). Place steel bands evenly around the barrel approx 90-100mm from both sides, covering screw heads. The middle band should be evenly placed from both bands. Install interior aspen roof trim (O) in sauna with 4.0 x 50 SS (S5) screws.



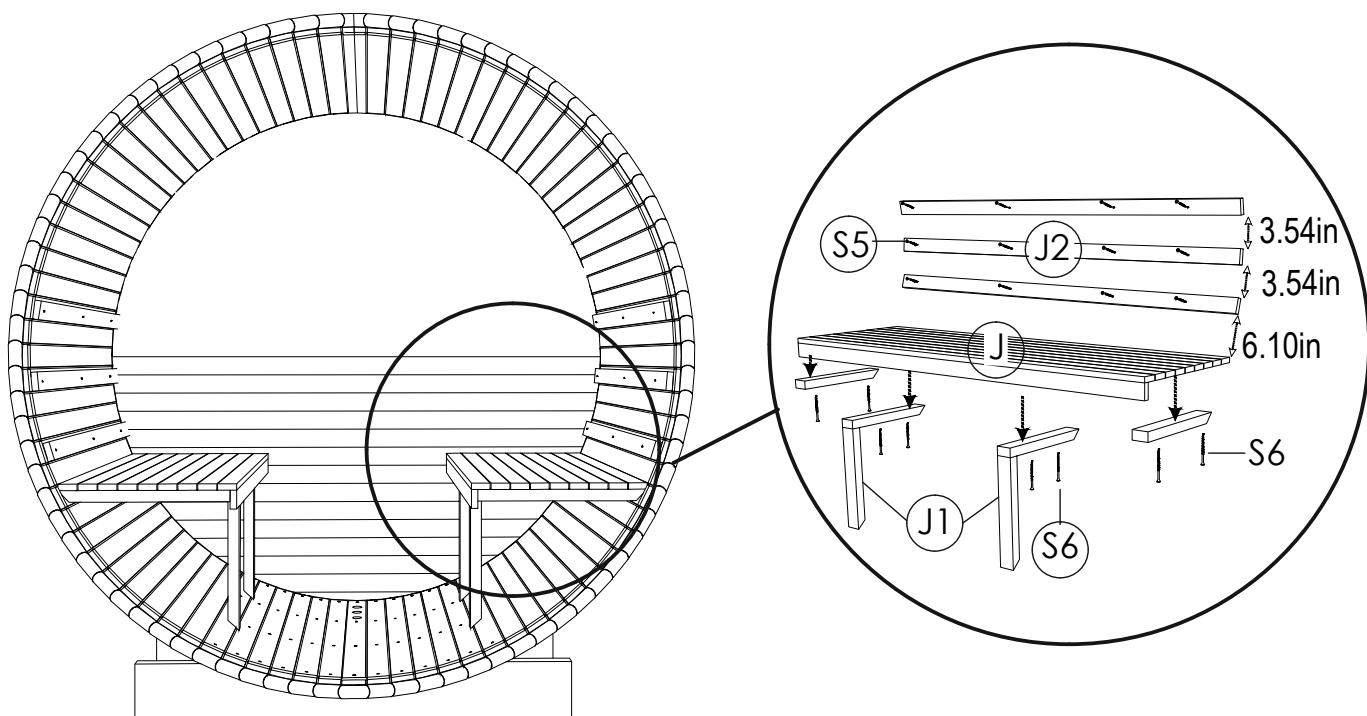
STEP 10: To install wall mounts (J3, J4) use interior supporting leg (J1). Put it on the sauna wall in level, mark a line where wall mounts will stand. Using screw 5.0x70 SS (S6) fix wall mounts (J3, J4) on the marked lines.



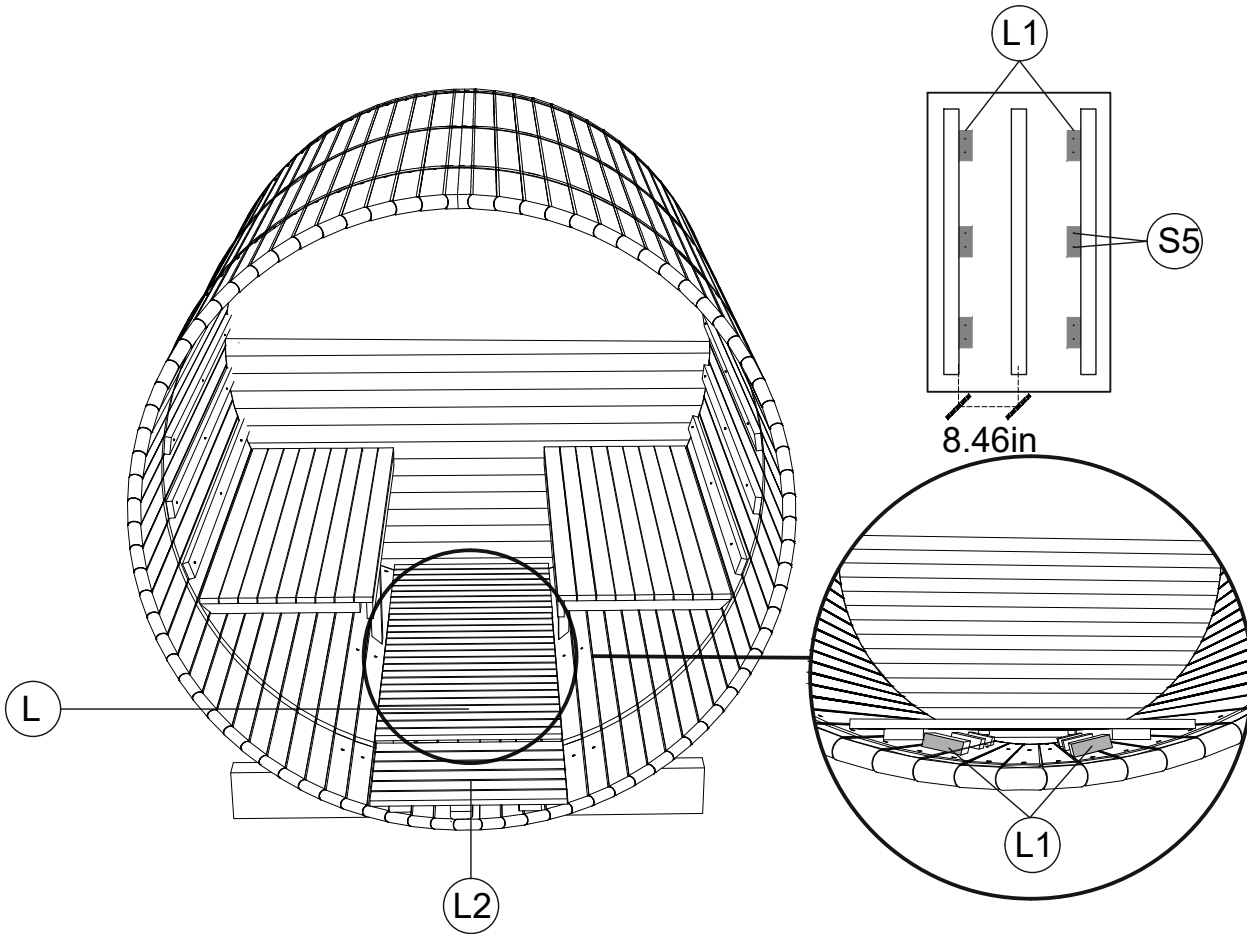
STEP 11: Install interior supporting leg (J1) in the center of bench (J). Stand bench on side wall mounts. Place J1 in the center and check the level. Using screw 5.0 x 70 SS (S6) fix bench leg to the wall and floor.



STEP 12: Install backrests (J2) at your chosen height using screw 4.0 x 50 SS (S5). Fix sauna bench (J) to wall mounts and support leg using 5 x70 SS (S6) screws.



STEP13: Install fixing blocks (L1) under floor duckboard. Place floor duckboards (L).



STEP 14: After shingles installation fix front and rear decorative roof finishing boards (W), fixing by screws 4.2x55(S7).

