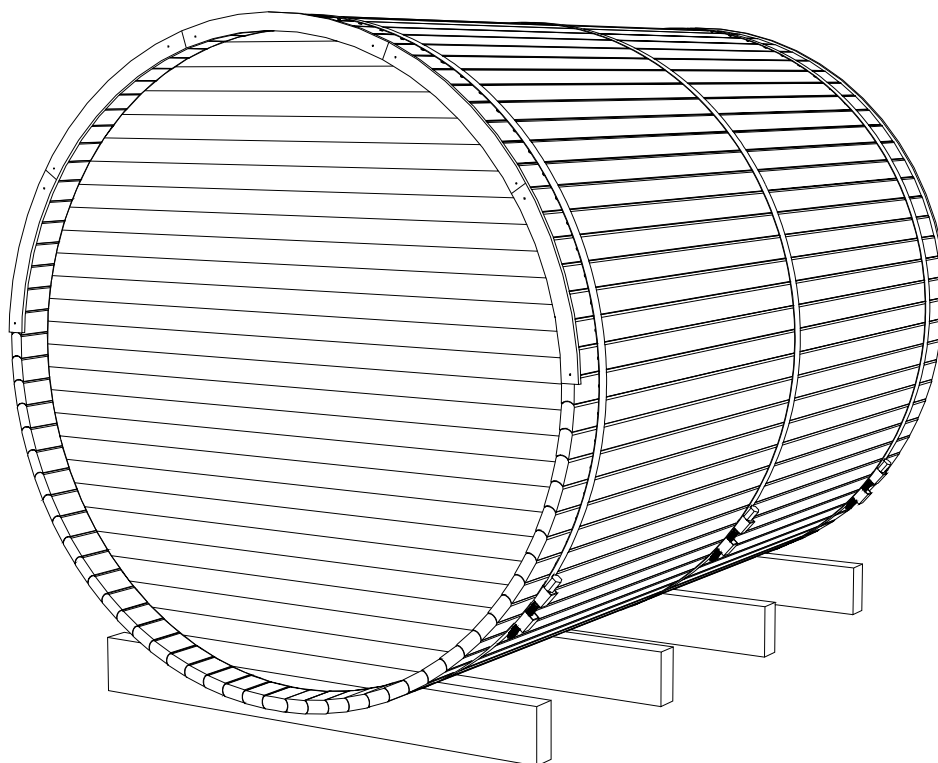
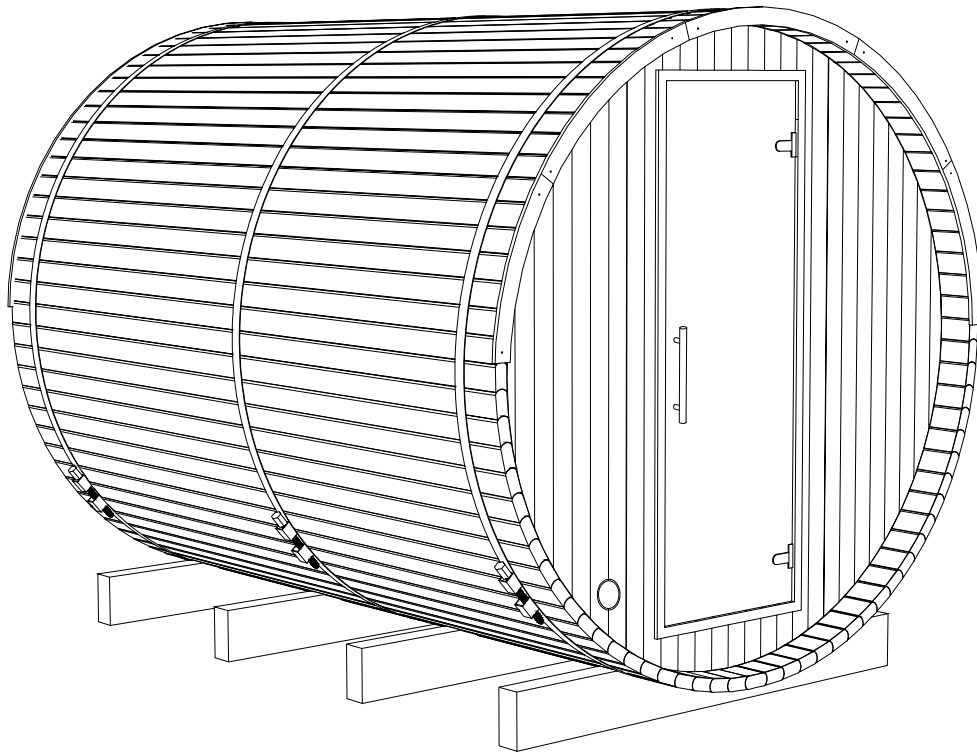


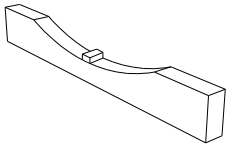
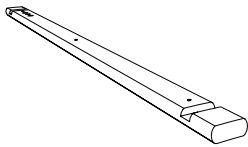
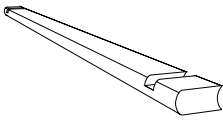

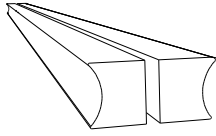
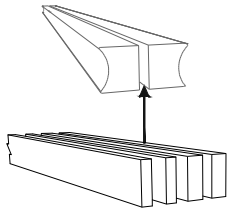
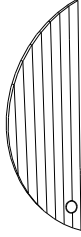


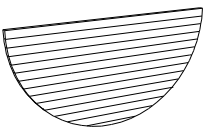
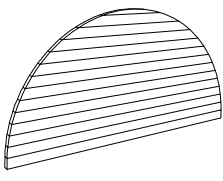
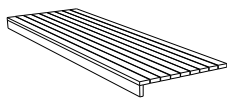
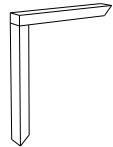
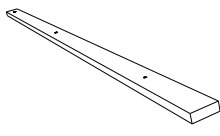
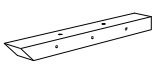
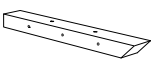
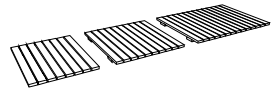
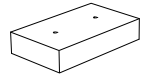
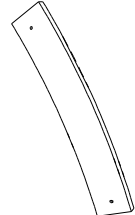
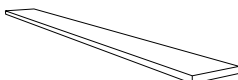
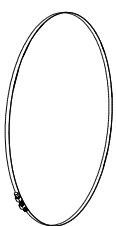




# BARREL SAUNA

## ASSEMBLY INSTRUCTION



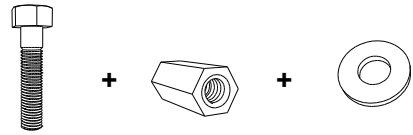


MODEL: DIY SAUNA R-229-300

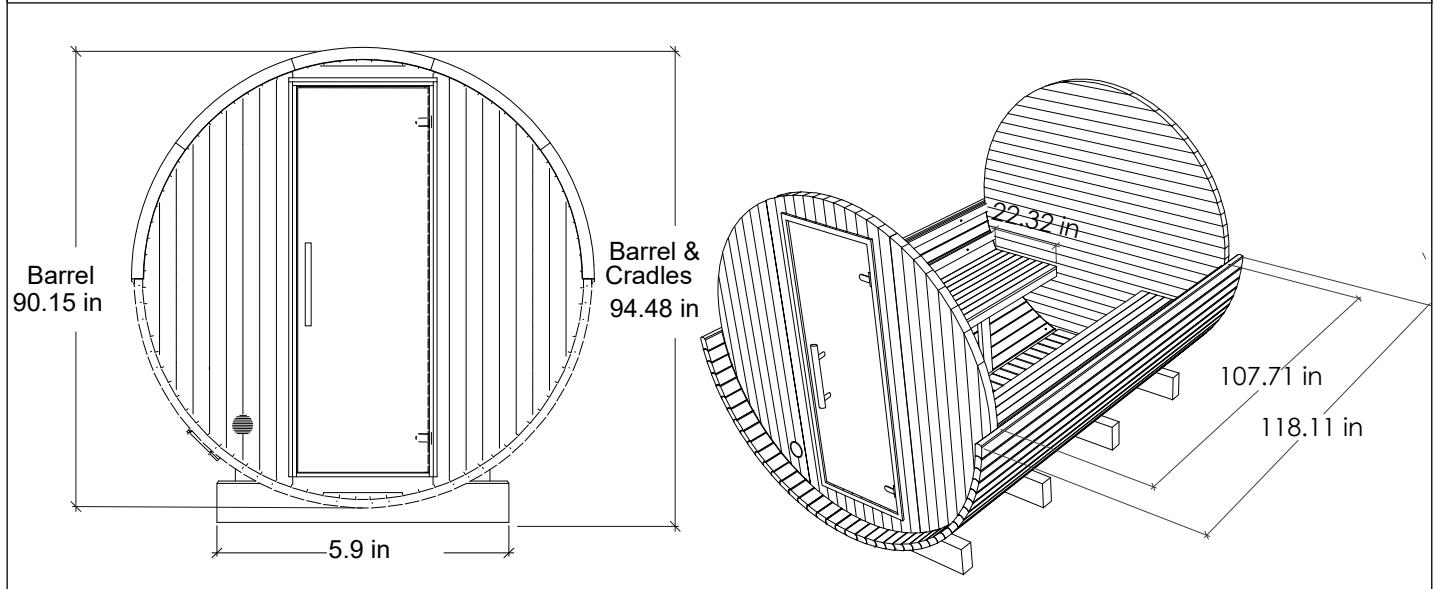
# PART LIST

<p><b>A</b> x4</p> 	<p><b>B</b> x1</p> 	<p><b>A</b> x90</p> 	<p><b>D</b> x3</p> 	<p><b>H</b> x2</p> 
cradle	center stave	body stave	Cable canal (for LED option)	final H tipe stave at the top
<p><b>H1</b> x4</p> 	<p><b>F</b> x1</p> 	<p><b>F1</b> x1</p> 	<p><b>F2</b> x1</p> 	<p><b>V</b> x1</p> 
different thickness Filling peaces	left panel section	right panel section	door panel	bottom rear panel
<p><b>V3</b> x1</p> 	<p><b>J</b> x2</p> 	<p><b>J1</b> x4</p> 	<p><b>J2</b> x6</p> 	<p><b>J3</b> x2</p> 
upper rear panel	sauna bench	supporting leg	backrest stave	wall mount
<p><b>J4</b> x2</p> 	<p><b>L</b> x3</p> 	<p><b>L1</b> x10</p> 	<p><b>W</b> x10</p> 	<p><b>O</b> x1</p> 
wall mount	Flooring duckboard	Fixing block for Flooring duckboard	decorative roof Finishing board	aspen roof board
<p><b>I</b> x3</p> 	<p><b>S1</b> x60</p> 	<p><b>S2</b> x190</p> 	<p><b>S4</b> x8</p> 	<p><b>S5</b> x70</p> 
metal band	screw 5.0x100 NT	screw 4.0x70	screw 5.0x120	screw 4.0x50 NT

# PART LIST

<p><b>S6</b> x50</p> 	<p><b>S7</b> x25</p> 		<p><b>S9</b> x3 + x3 + x6</p> 
<p>screw 5.0x70 NT</p>	<p>screw 4.2x55 brown</p>		<p>bolt <math>\phi</math>12x140    hex nut M12 (SW19)    Flat washer</p>
Empty space for additional parts or notes			

## BARREL DIMENSIONS

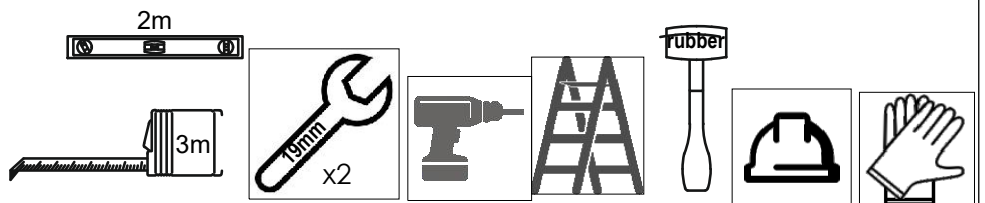


### RECOMMENDATION

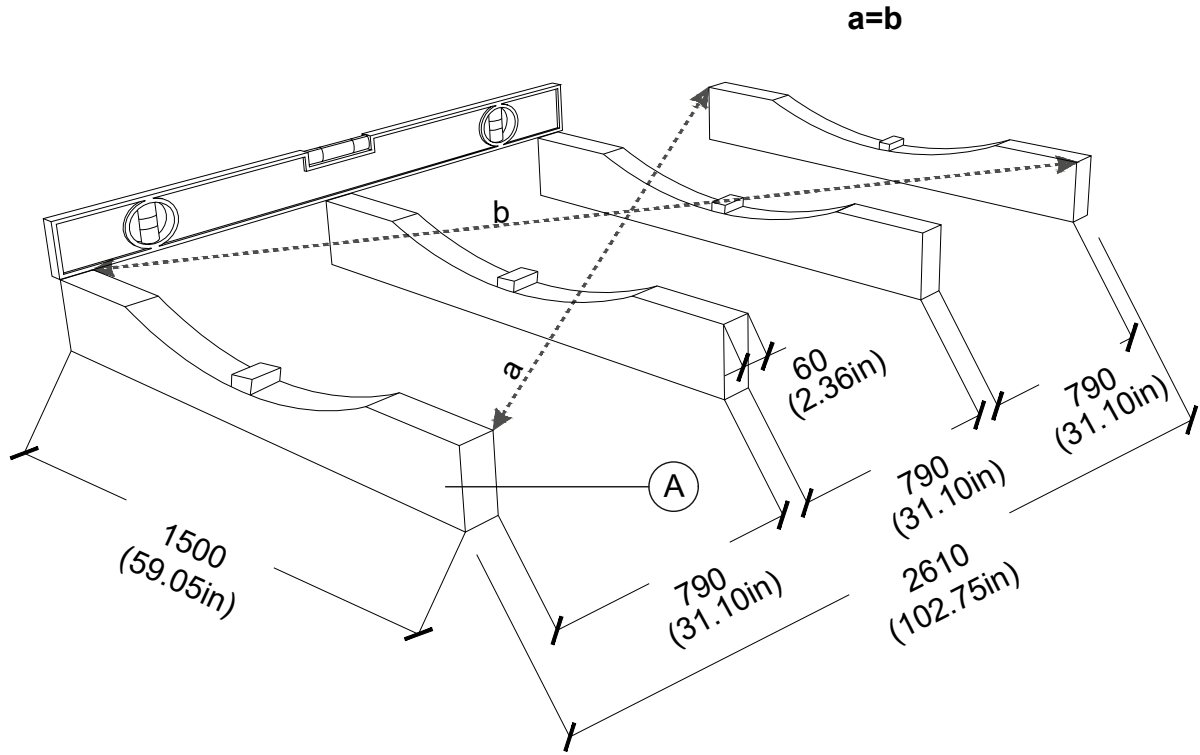


2 person recommended

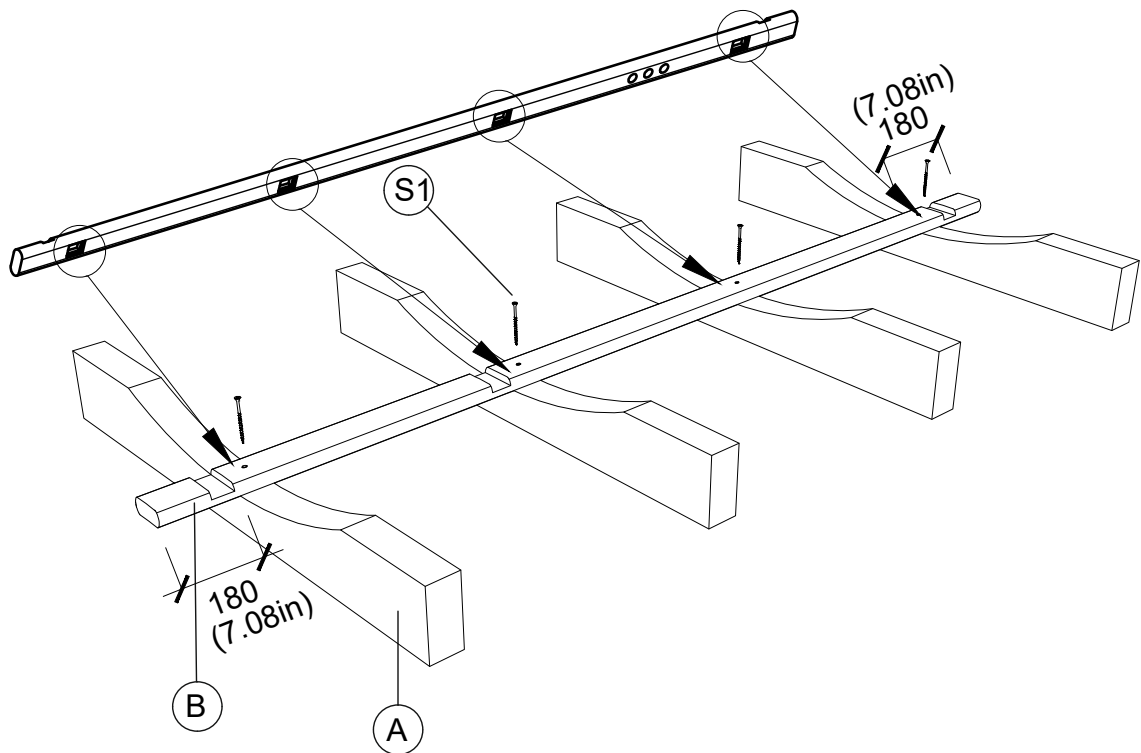
### TOOLS REQUIRED



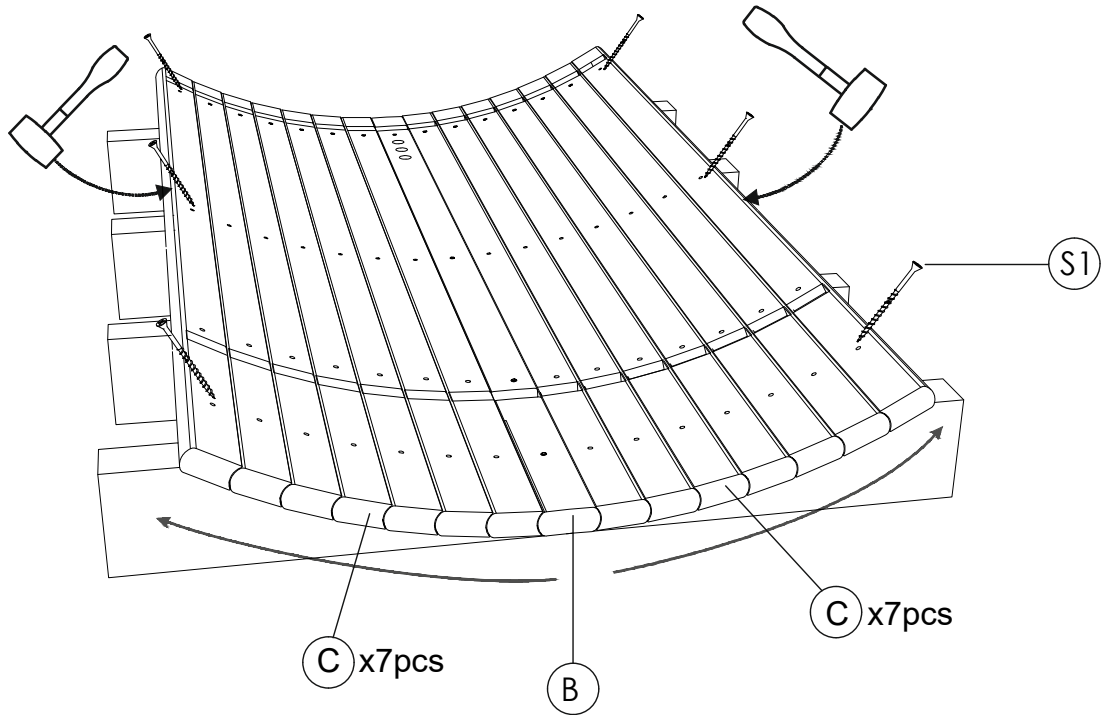
STEP 1: Place the support cradles (A) on level site. Measure support cradles (A) diagonally from corner to corner. Measurements "a" and "b" should be equal. Be sure cradles remain level.



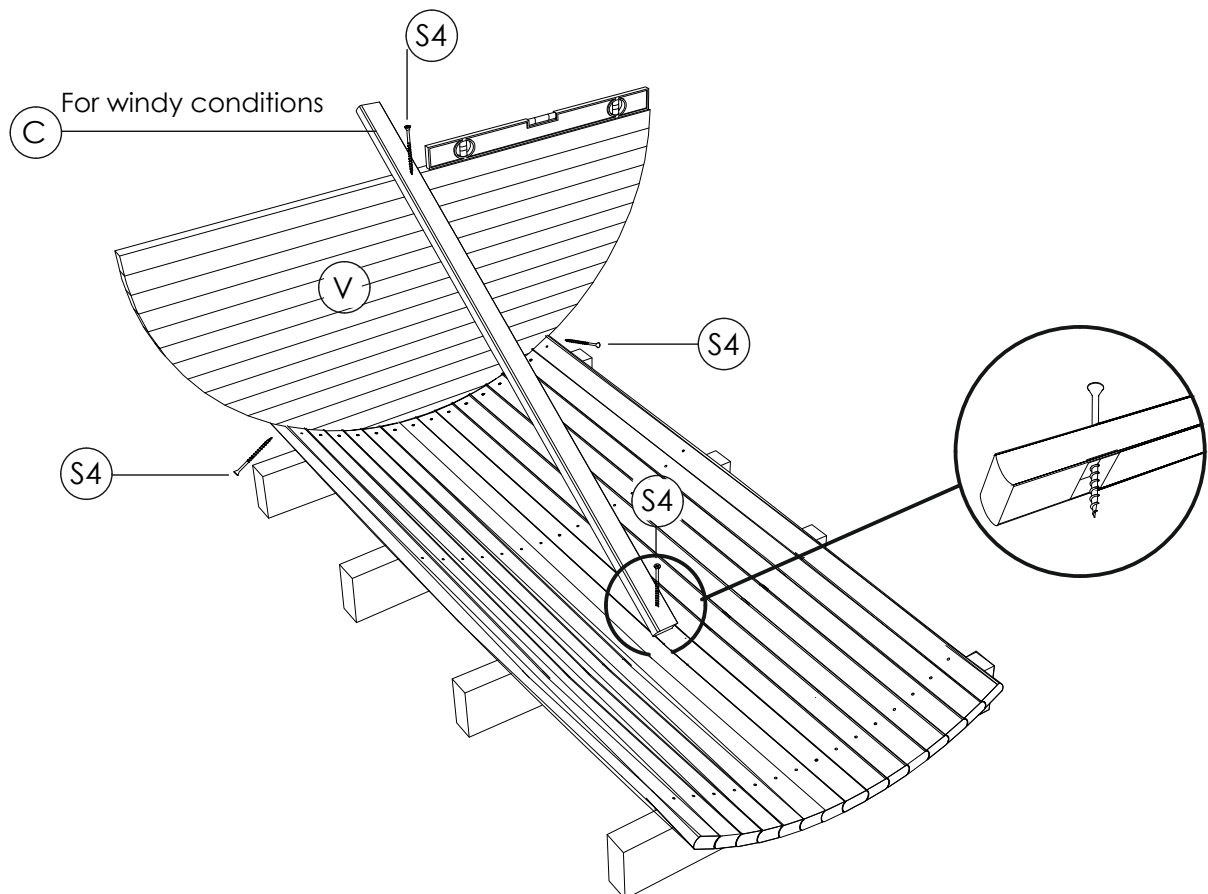
STEP 2: Place the center stave (B) on wooden dowels embedded in support cradles (A). Fix the center stave (B) with screw 5.0x100 NT(S1).



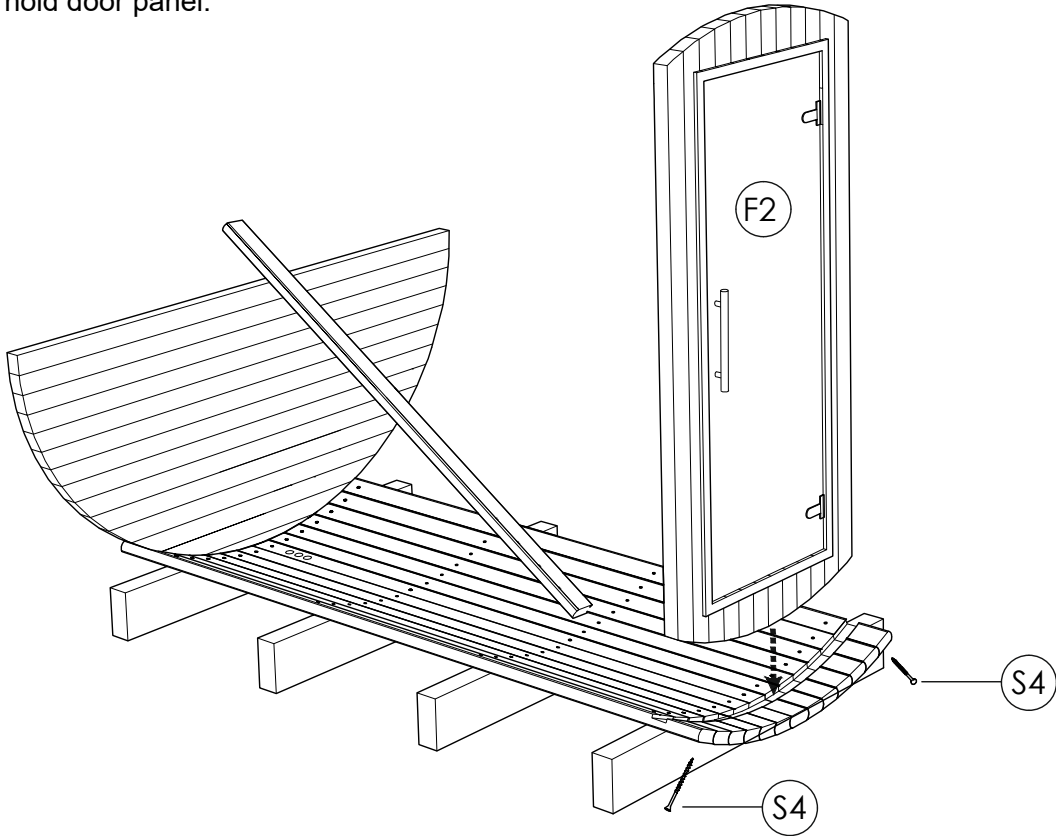
STEP 3: Place 6 sauna body staves (C) to each side of the center stave (B) and fix with screws 5.0x100 SS (S1). Be sure to align the panel groove on every next body stave, to do that use rubber hammer.



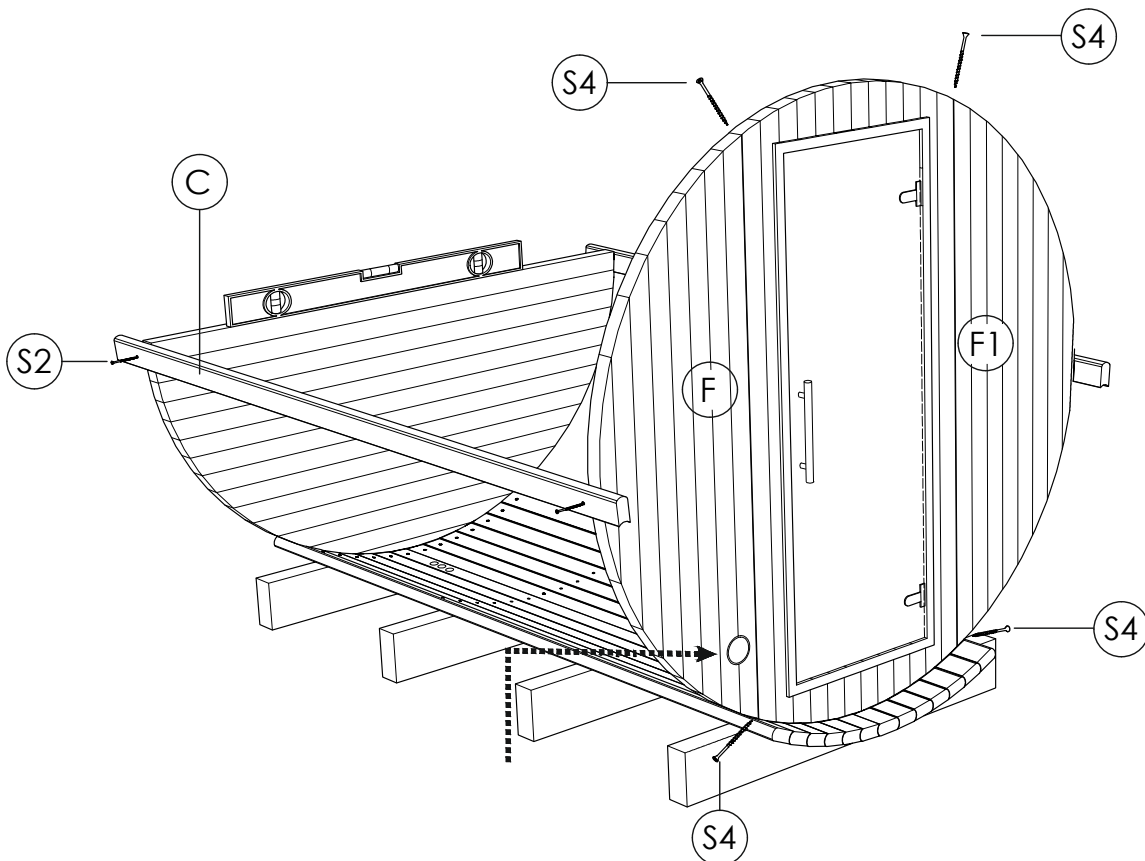
STEP 4: Place rear panel (V) in stave groove, be sure panel is centered, leveled, completely seated. Fix panel using 5.0 x 120 (S4) screws through last floor stave on both sides.



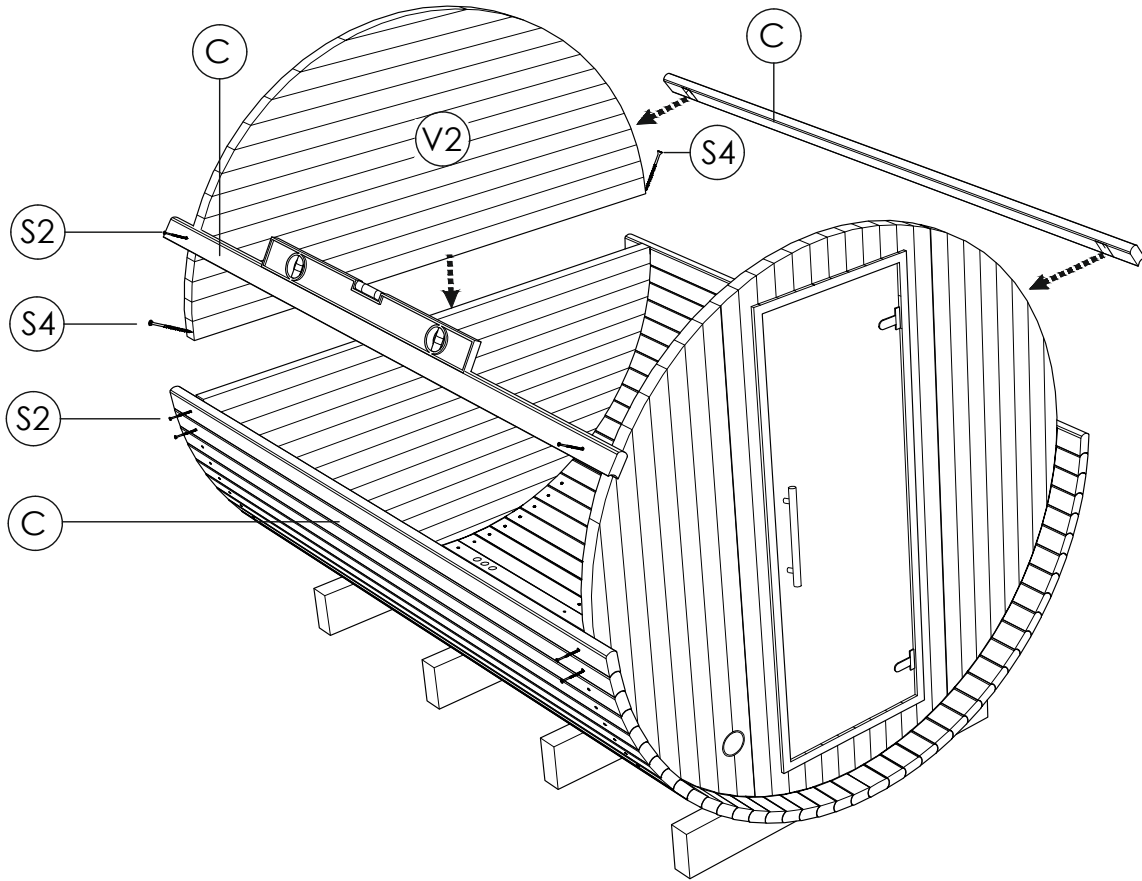
STEP 5: Place door panel (F2) in front stave groove. Be sure panel is centered, leveled, completely seated. Fix it with 2 screws 5.0 x 120 (S4) on each side of last stave from underneath. For safety reasons one person should hold door panel.



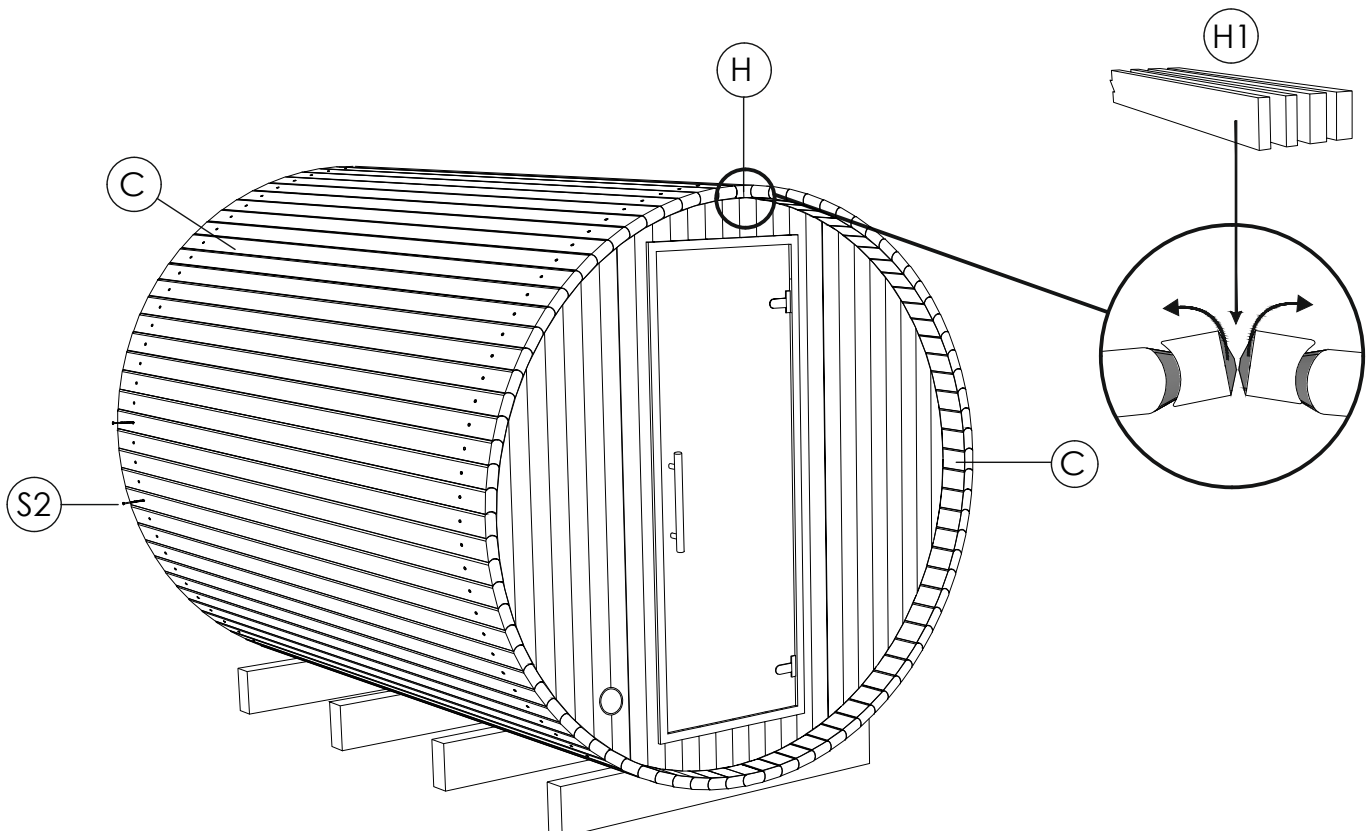
STEP 6: Attach side panel (F) using 4 5.0 x 120 (S4) screws. One person still holds door panel. Place body stave (C) on rear and front panel to connect both panels using 4.0 x 70 SS (S2) screws. Check panel level before fix them. These panels must be completely seated into the floor groove. Fix ventilation grill from inside on ventilation cuts



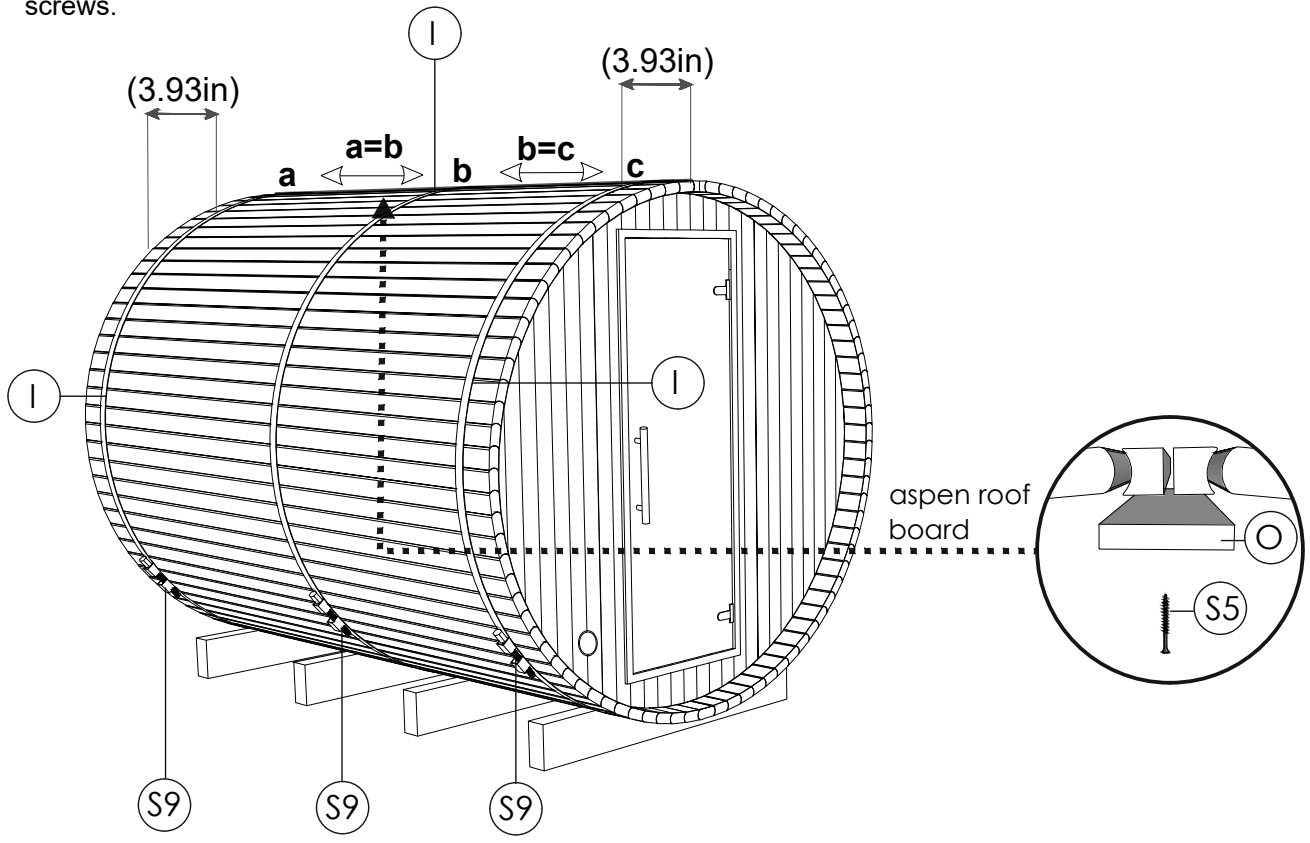
STEP 7: Place body staves (C) until the halfway point. Place upper rear panel (V2) on bottom rear panel (V), fix by 2 screws 5.0 x 120 (S4). Bind panels (F2; V2) together by temporarily placing one or two body stave (C) on top of them.



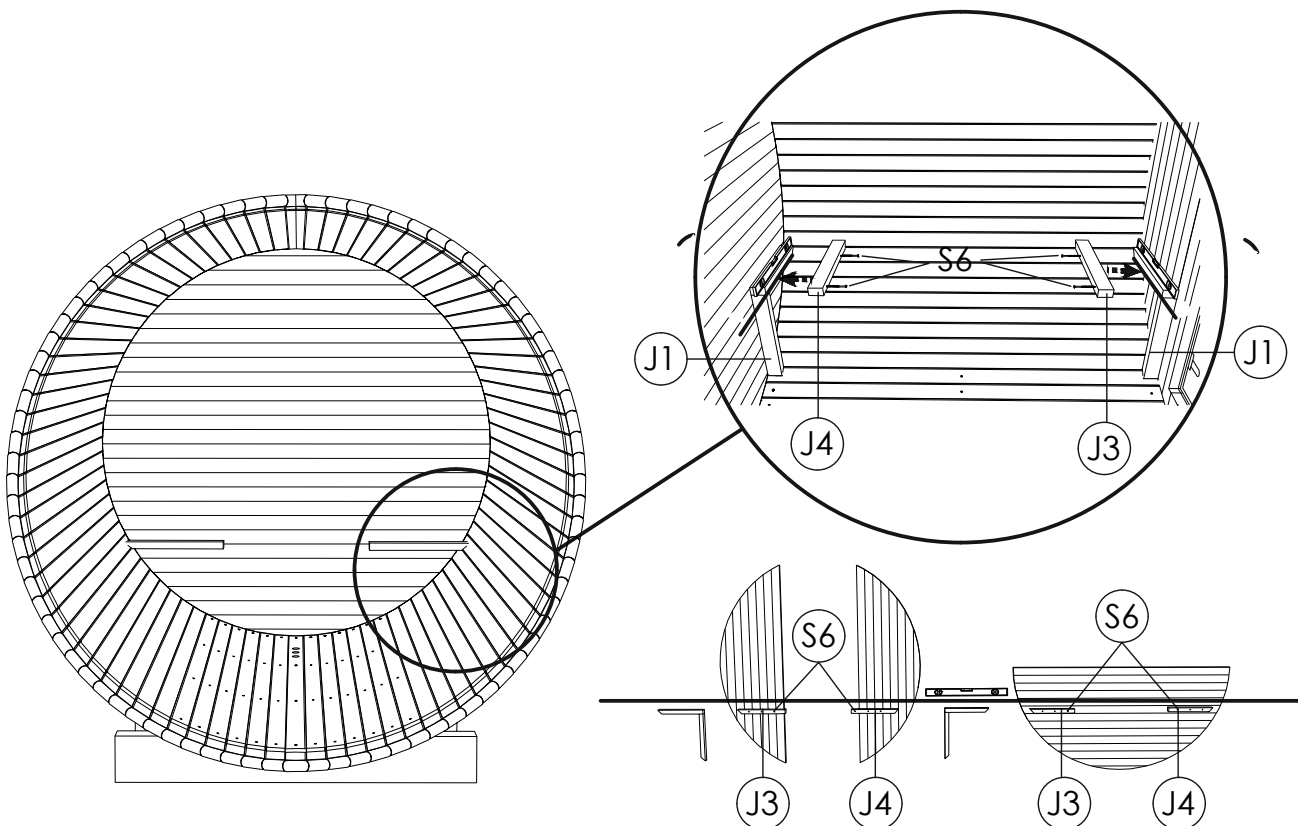
STEP 8: Continue placing body staves (C) tightly on both sides of the sauna using rubber mallet, and fixing body staves with screws 4.0x70(S2) . To finish the roof top joint, use roof finishing item (H). Different thickness filling peaces (H1)are provided to completely fill the gap.



STEP 9: Install steel bands (I) by wrapping bands around the barrel, then connect with bolts and nuts (S9). Place steel bands evenly around the barrel approx 90-100mm from both sides, covering screw heads. The middle band should be evenly placed from both bands. Install interior aspen roof trim (O) in sauna with 4.0 x 50 SS (S5) screws.

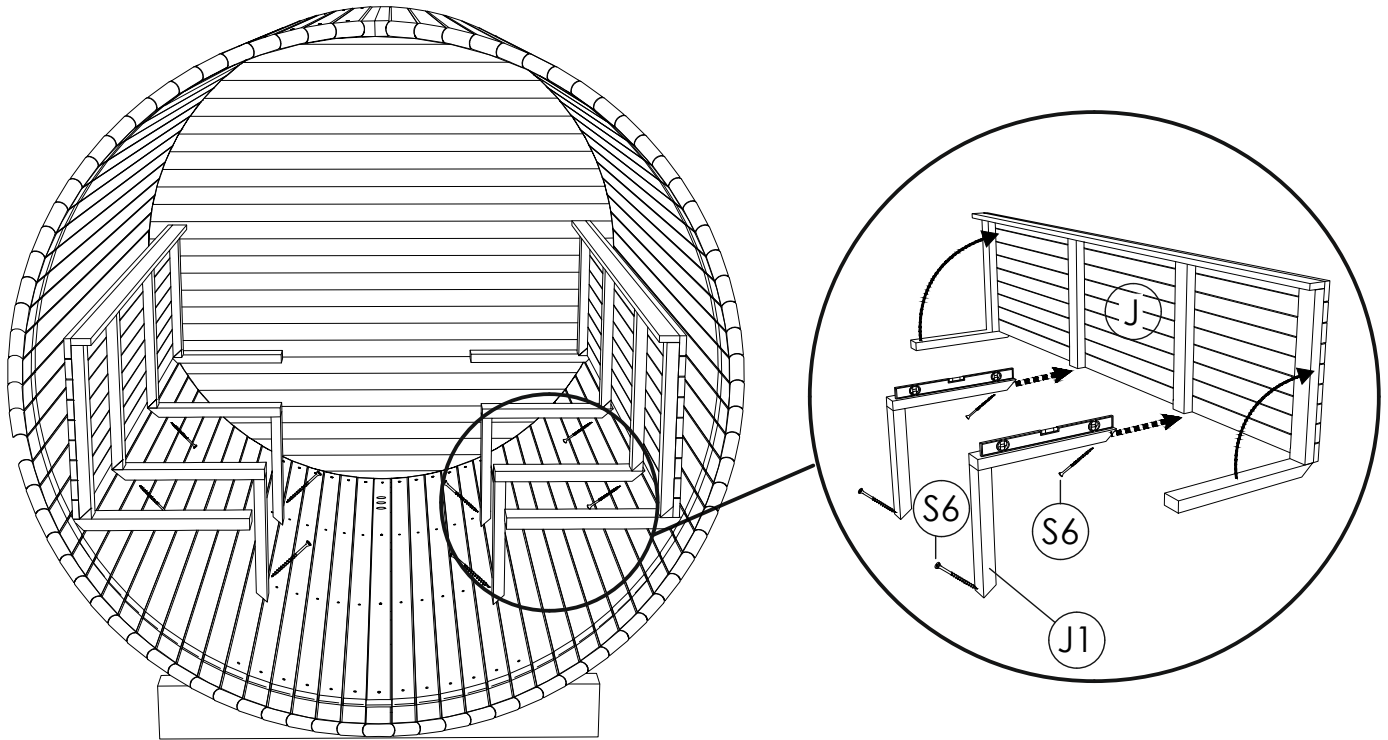


STEP 10: To install wall mounts (J3, J4) use interior supporting leg (J1). Put it on the sauna wall in level, mark a line where wall mounts will stand. Using screw 5.0x70 SS (S6) fix wall mounts (J3, J4) on the marked lines.

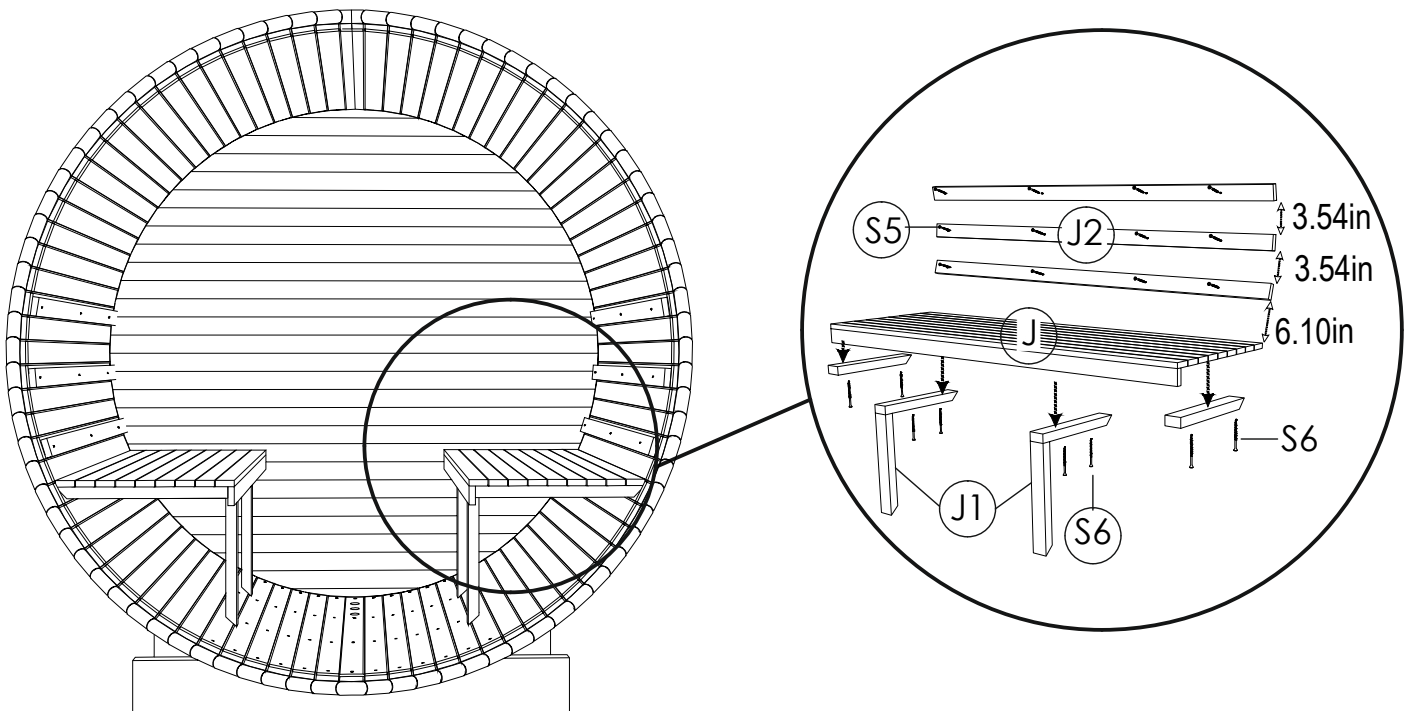




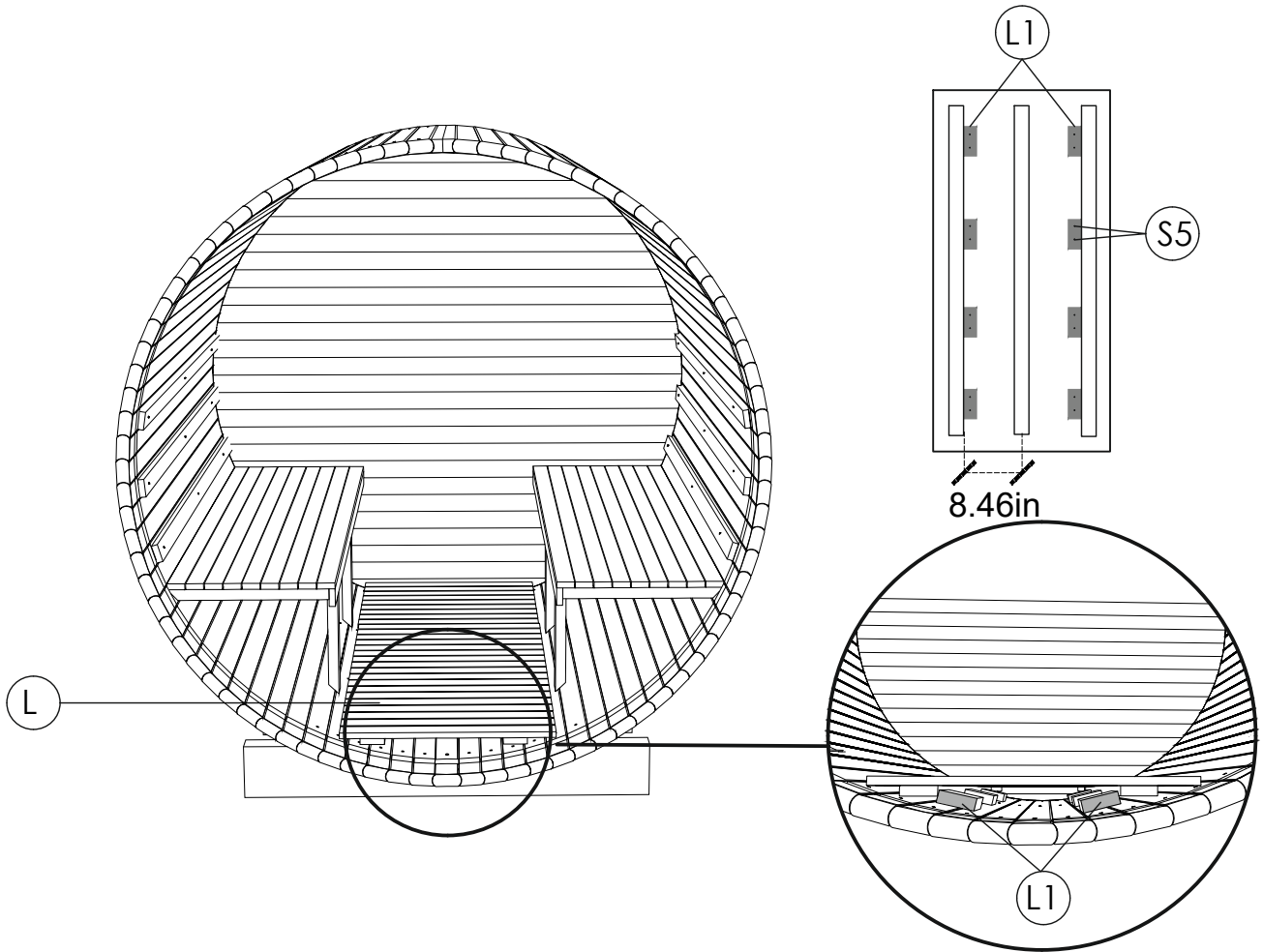
**STEP 11:** Install interior supporting leg (J1) in the center of bench (J). Stand bench on side wall mounts. Place J1 in the center and check the level. Using screw 5.0 x 70 SS (S6) fix bench leg to the wall and floor.



**STEP 12:** Install backrests (J2) at your chosen height using screw 4.0 x 50 SS (S5). Fix sauna bench (J) to wall mounts and support leg using 5 x70 SS (S6) screws.



STEP13: Install fixing blocks (L1) under floor duckboard. Place floor duckboards (L).



STEP 14: After shingles installation fix front and rear decorative roof finishing boards (W), fixing by screws 4.2x55(S7).

