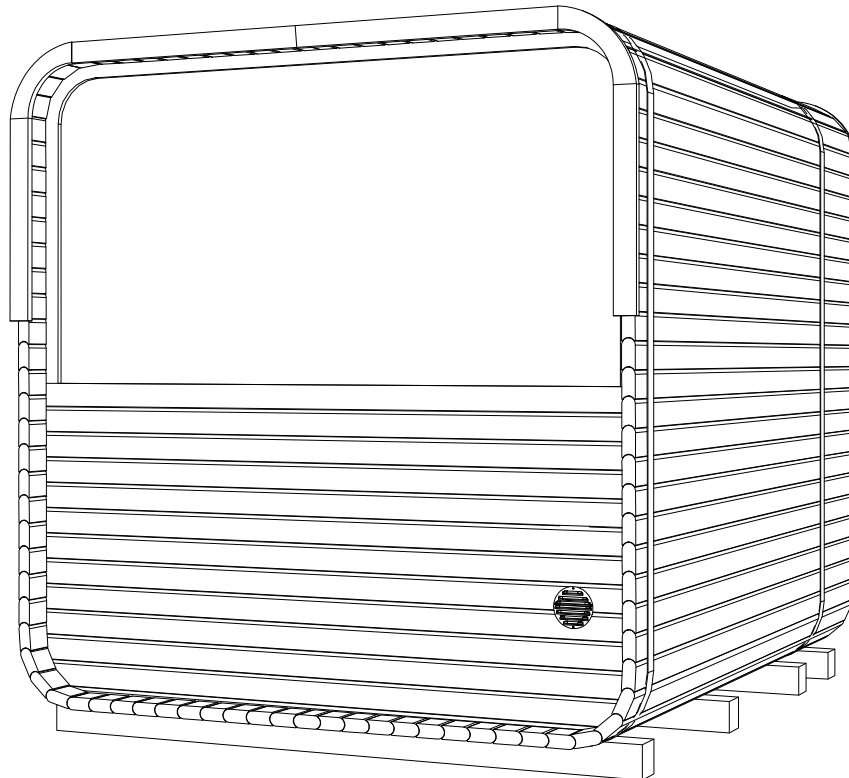
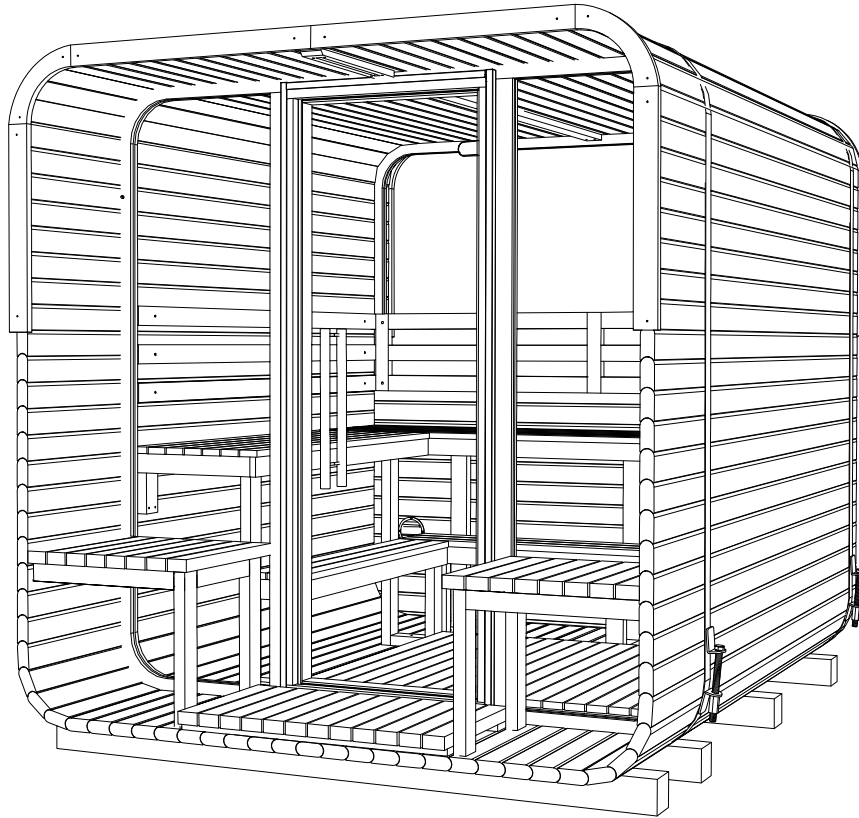


SQUARE SAUNA

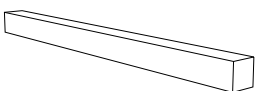
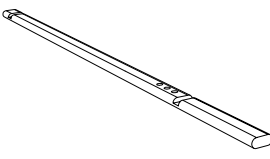
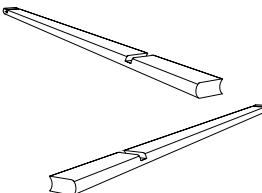
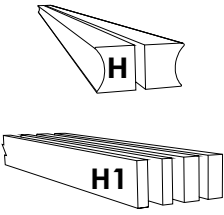
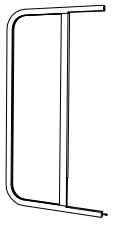
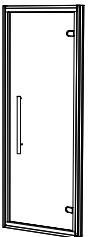
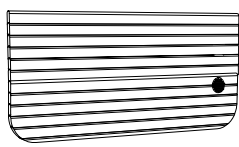
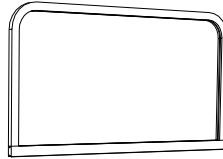
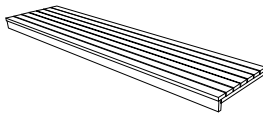
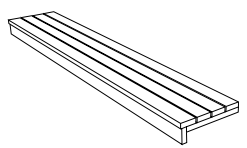
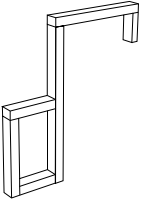
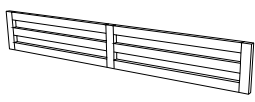
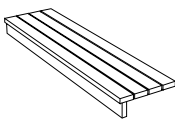
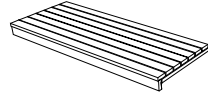
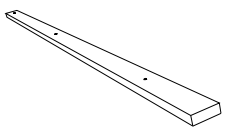
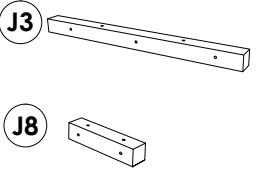
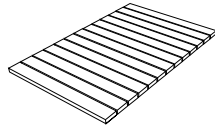
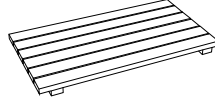
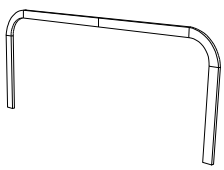

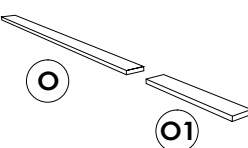
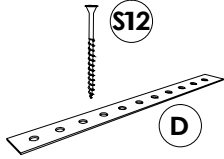
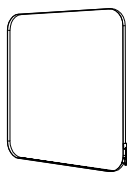
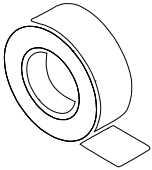
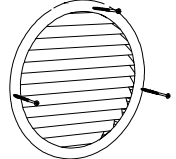
ASSEMBLY INSTRUCTIONS











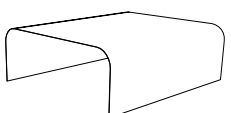
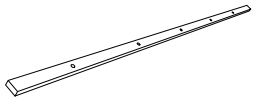
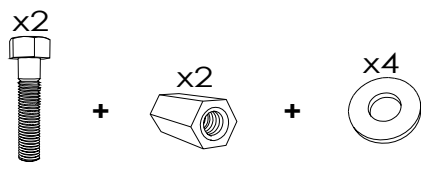
MODEL: KTP250

Note: please read the manual before construction

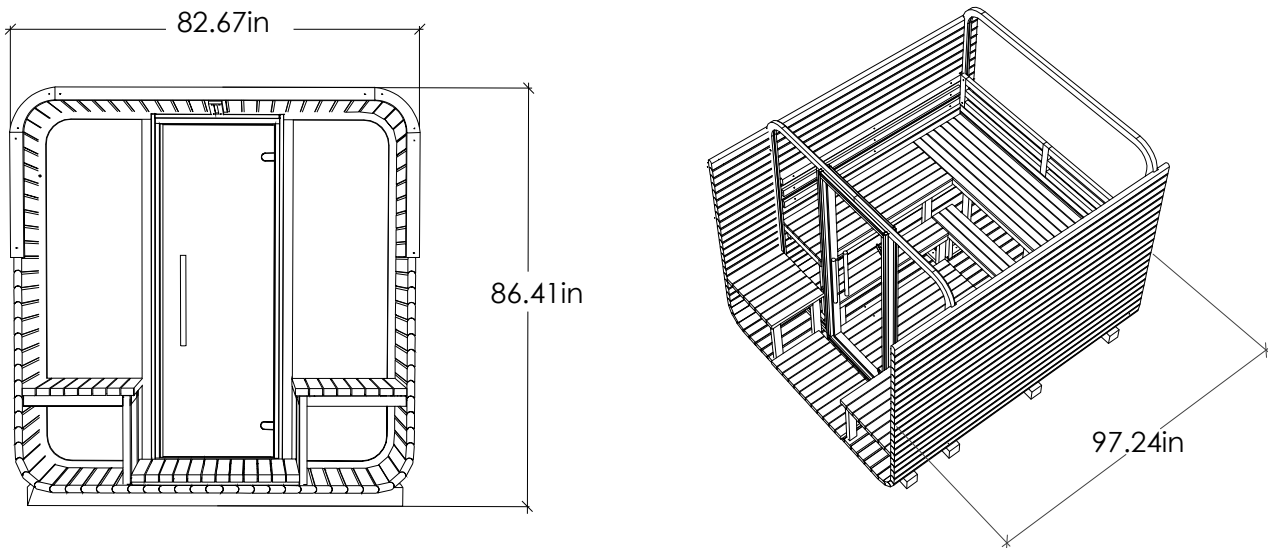
PART LIST

<p>A x4</p> 	<p>B x1</p>  <p>front</p>	<p>C x49 C1 x49</p> 	<p>H x2 H1 x4</p> 	<p>F x2</p> 
<p>cradle</p>	<p>center stave</p>	<p>left side body stave right side body stave</p>	<p>final H tipe stave with filling peaces H1</p>	<p>panel section with window</p>
<p>F2 x1</p> 	<p>V x1</p> 	<p>V1 x1</p> 	<p>J x1</p> 	<p>J5 x1</p> 
<p>door panel</p>	<p>bottom rear panel</p>	<p>panel with panoramic window</p>	<p>sauna bench (long)</p>	<p>sauna bench step (long)</p>
<p>J1 x4</p> 	<p>J2 x3</p> 	<p>J7 x1</p> 	<p>J4 x1</p> 	<p>J6 x3</p> 
<p>supporting leg</p>	<p>backrest in front of panorama window</p>	<p>sauna bench step (short)</p>	<p>sauna bench (short)</p>	<p>backrest stave</p>
<p>J3 x2 J8 x1</p> 	<p>L x2</p> 	<p>L1 x1</p> 	<p>W x10</p> 	<p>K x2</p>  <p>K1</p>
<p>support board for sauna bench</p>	<p>flooring duckboard</p>	<p>flooring duckboard (outside)</p>	<p>decorative roof finishing board</p>	<p>benches</p>
<p>O x1 O1 x1</p> 	<p>S12 x10 D x1</p> 	<p>I x2</p> 	<p>T x1</p> 	<p>Y1 x1</p> 
<p>ceiling board</p>	<p>screw 4.0x30 metal bracket</p>	<p>metal band</p>	<p>adhesive tape</p>	<p>ventilation grill</p>

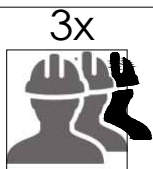
PART LIST

<p>S1 x88</p> 	<p>S4 x4</p> 	<p>S5 x12</p> 	<p>S6 x70</p> 	<p>S7 28</p> 
screw 5.0x100SS	screw 5.0x120	screw 4.0x50SS	screw 5.0x70SS	screw 4.2x55
<p>S10 x150</p> 	<p>S11 x44</p> 	<p>S14 x10</p> 	<p>Z x1</p> 	<p>Z1 x2</p> 
screw 4.0x60	screw 4.0x40	screw 5.0x80	waterproof roof cover	slat for roof cover
<p>S9</p> 	<ul style="list-style-type: none"> • Before you begin, be sure the sauna will fit in your chosen location. • Be sure the site is level and free of standing water after rainfall. • Concrete, pavers or crushed stone is preferred. • Check the parts before construction 			
bolt Ø12x140	hexnut M12(SW19)	flatwasher		

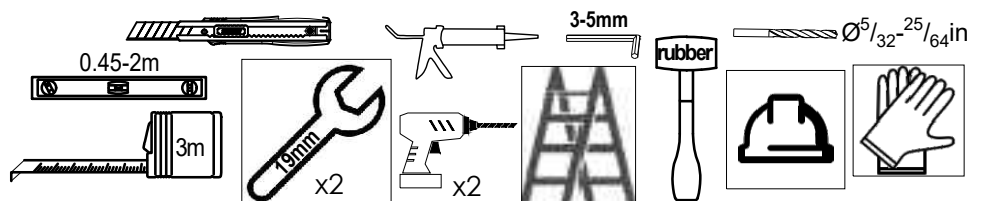
SAUNA DIMENSIONS



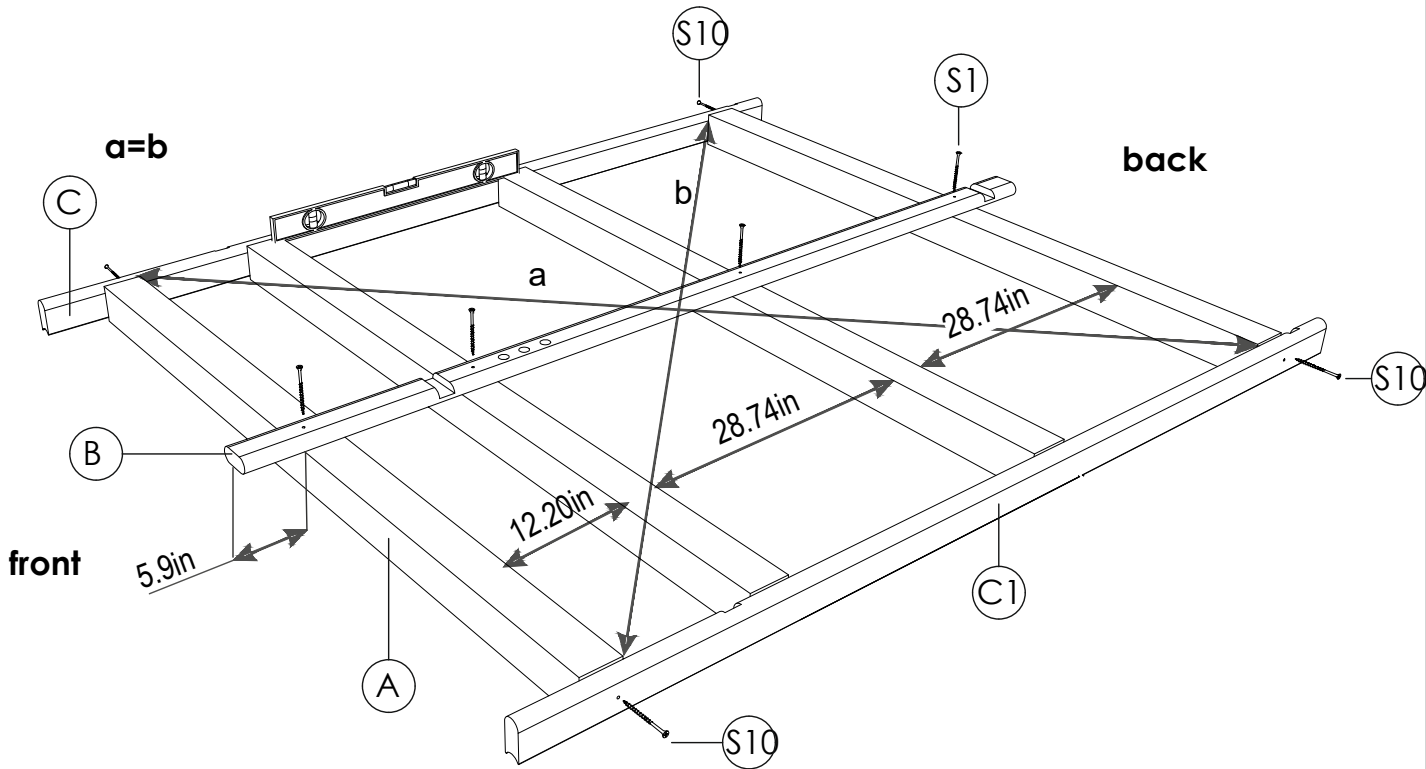
RECOMMENDATION



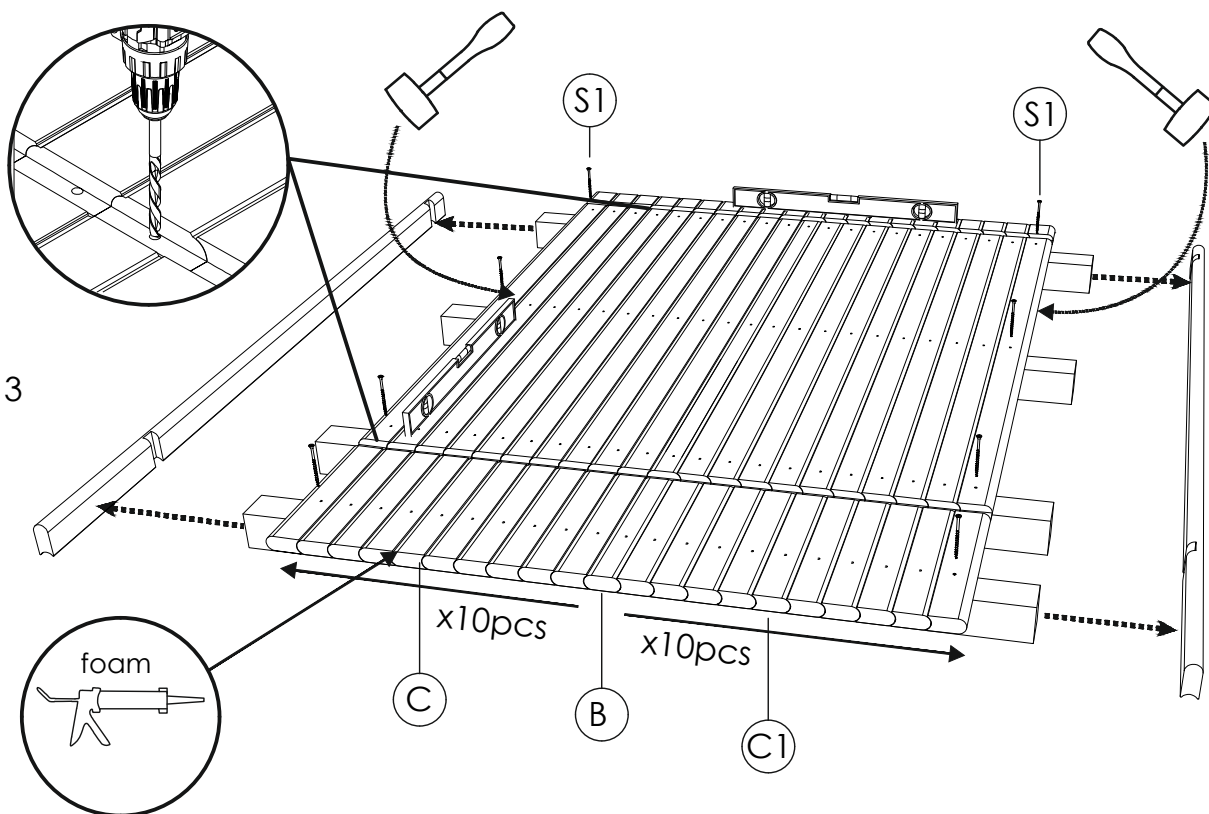
TOOLS REQUIRED



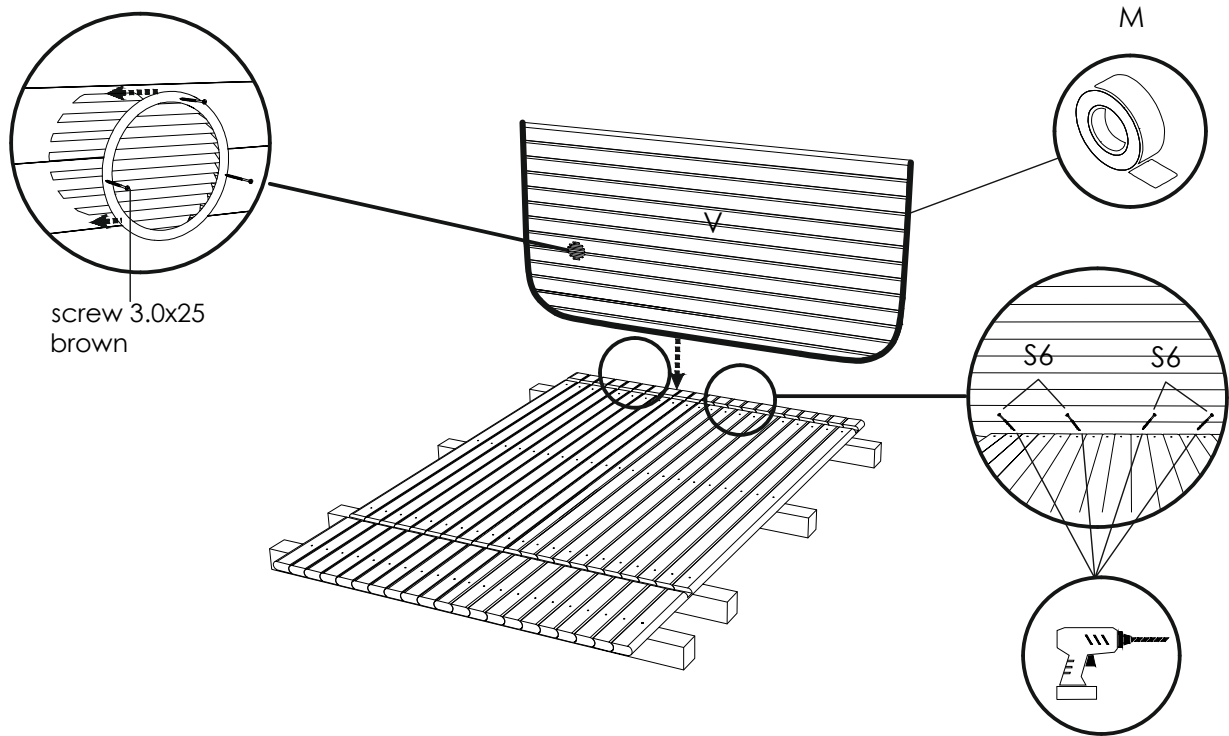
STEP 1: Measure support cradles (A) diagonally from corner to corner. Measurements "a" and "b" should be equal. To ensure the cradles are square, fix staves on both sides. Check levels again. Fix the center stove (B) in the middle of the cradles. Leave a stove 5.9 inches over the cradle on both sides. The base for sauna cradles must be leveled and hard.



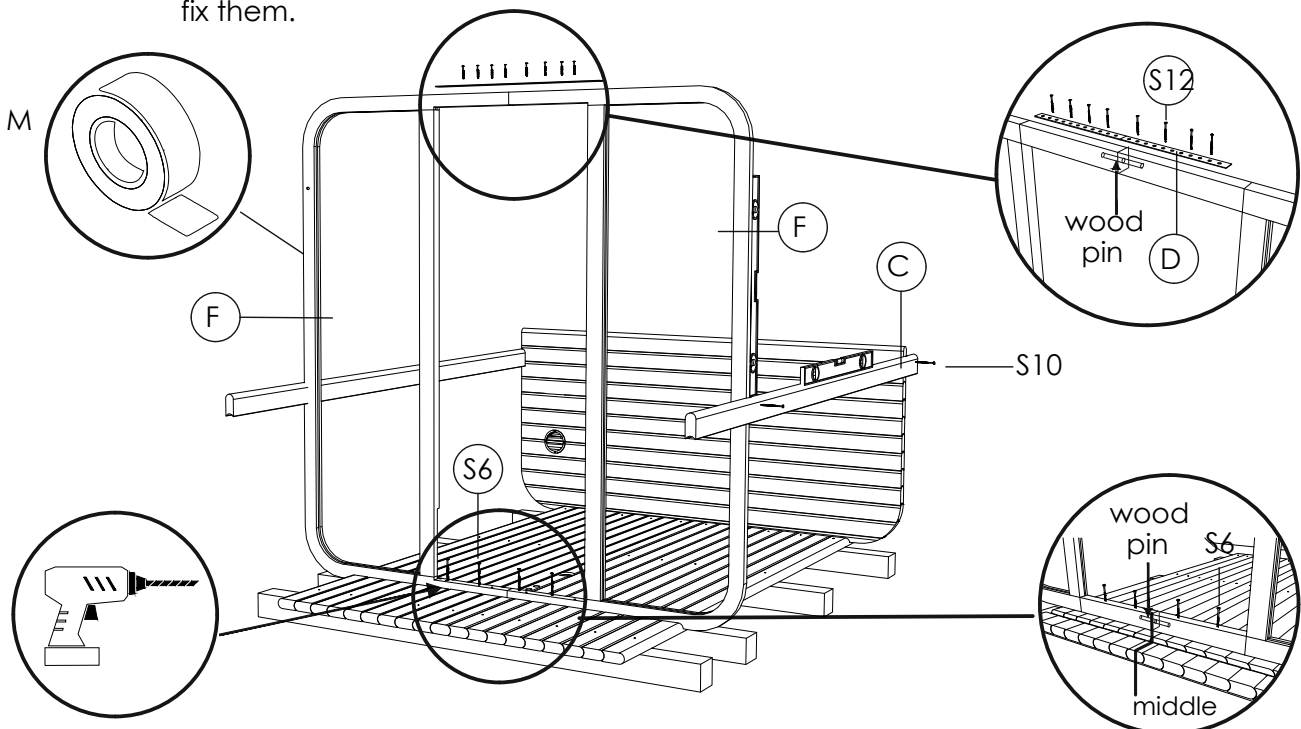
STEP 2: Fix 10 boards to each side (C;C1) from center board with 5x100 ss screws (S1). Between staves use foam for better insulation. Drill 10mm hole in each board, in the front wall groove and in the rear wall groove to the out-side.



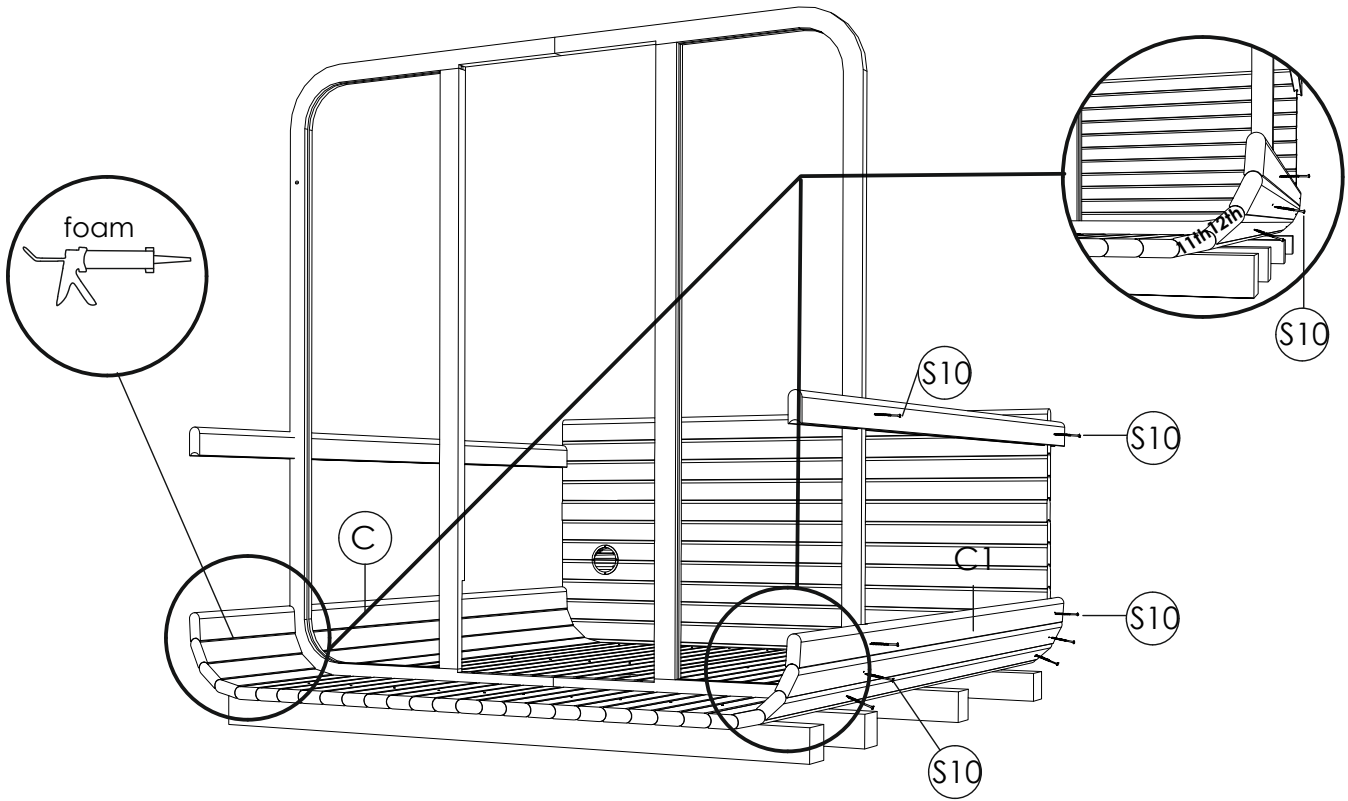
STEP 3: Attach adhesive tape along the rear panel edge. At the bottom of the rear panel (V), make a line where the centre of the panel is. Do the same on the centre stave of the floor, where the panel will be sitting. Pre-drill holes then fix with four screws 5x70ss(S6) panel to the floor. Distance the screws evenly. The screws should go in the way where the panel is sitting. Measure no more than 0.78in from the floor. Fix ventilation grills from outside on ventilation cuts.



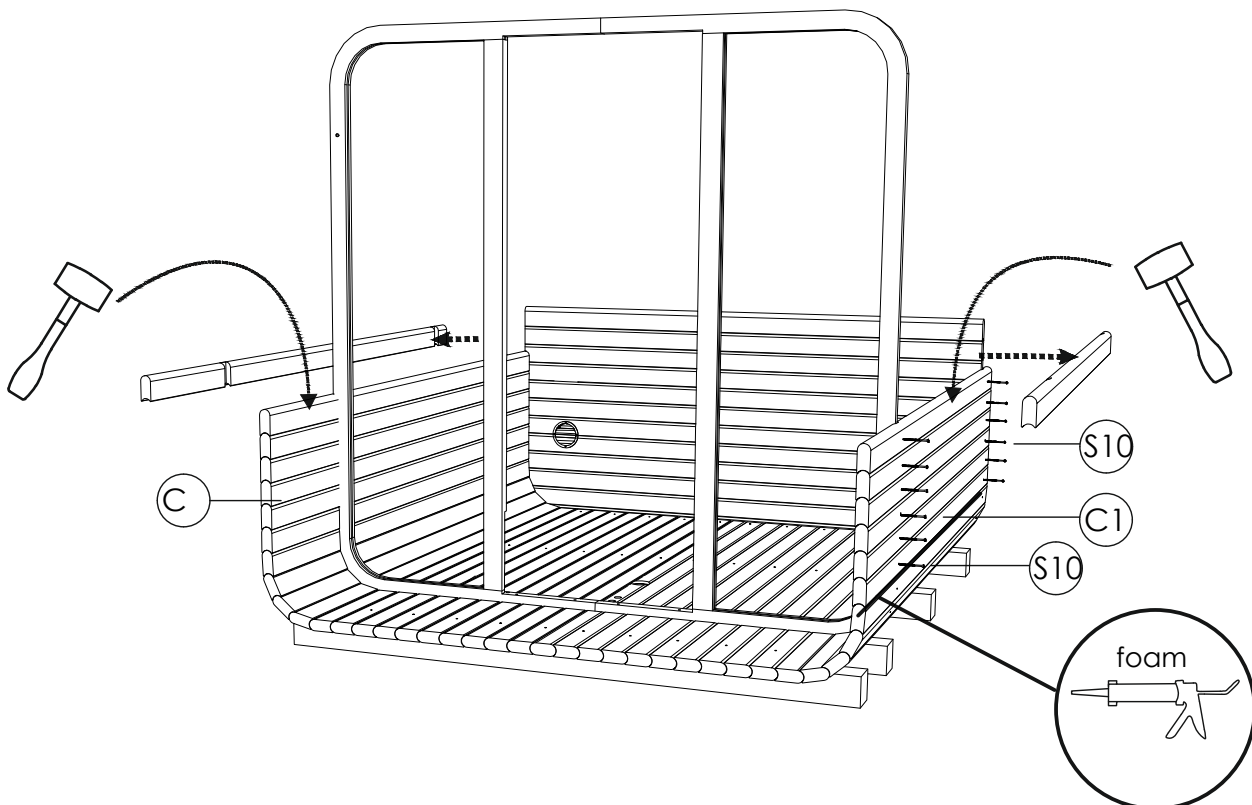
STEP 4: Attach adhesive tape along the panel edge. Put wood pins in the holes of the panel connection sides on the top and bottom. Install Front panels (F) separately. Make a mark on the center stave where the middle is. Take one of the panels and put it directly next to the middle line. Take one stave to connect both panels using screws 4x60(S10). Pre-drill holes in panel treshold then fix it with two screws 5x70ss(S6) evenly spaced and not too close to the sides. Make sure they are level. Do the same for the other side. Use assembly tape on top of front panels to fix them.



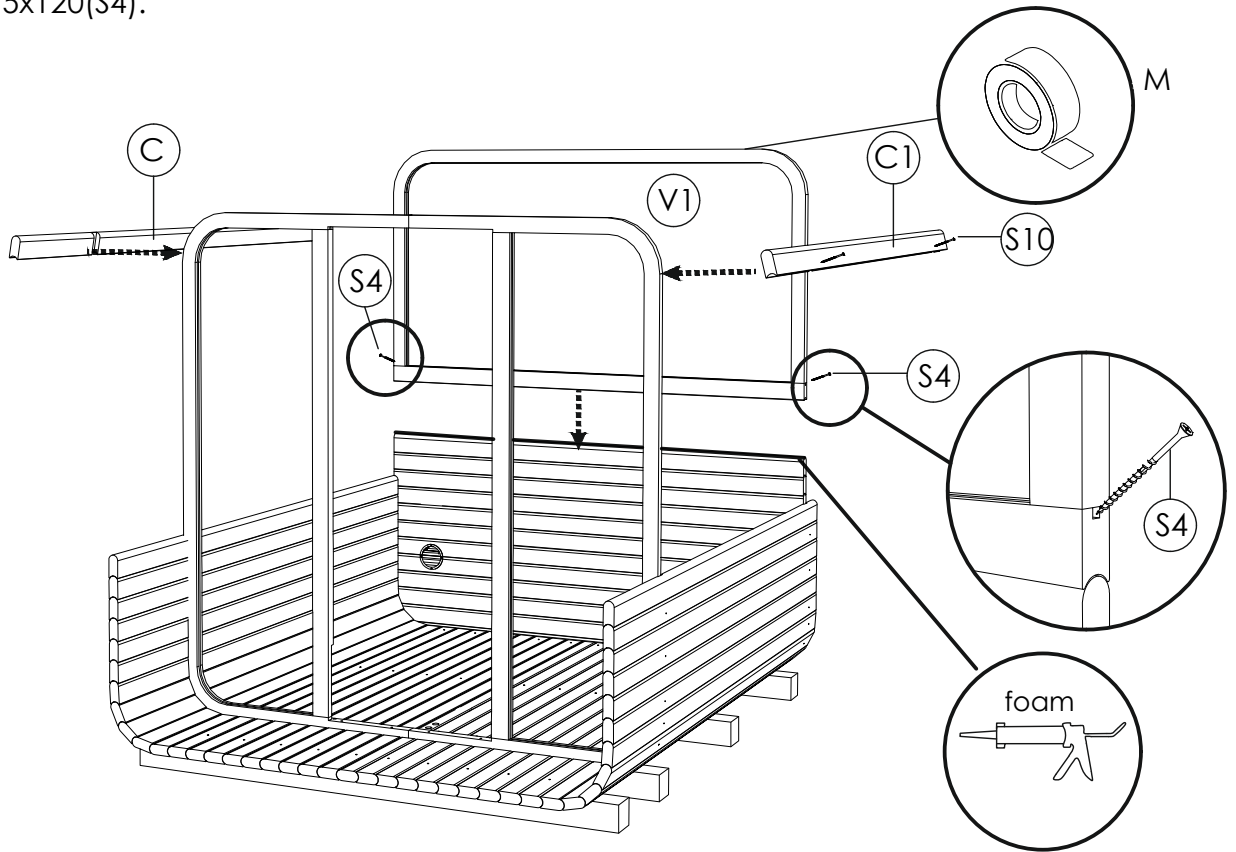
STEP 5: For both sides, the 11th stave (C) needs to be fixed as one piece together with 12th stave. One is holding those two staves, and the other is fixing only the 12th stave with screws 4x60(S10). Between every stave use foam for better insulation.



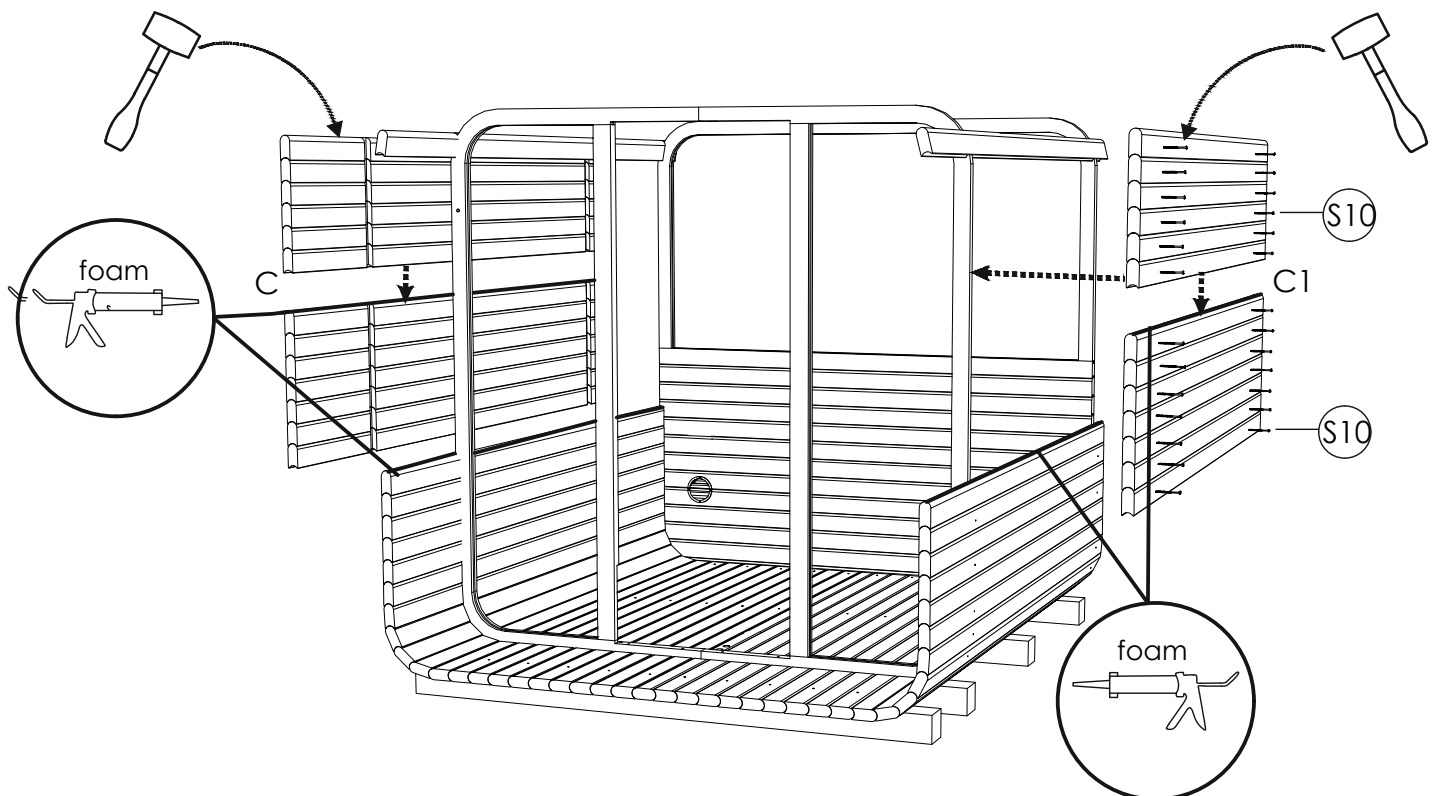
STEP 6: Fix the next staves (C; C1) on both sides with foam between them with screws 4x60(S10) for each side. Use a rubber hammer if necessary.



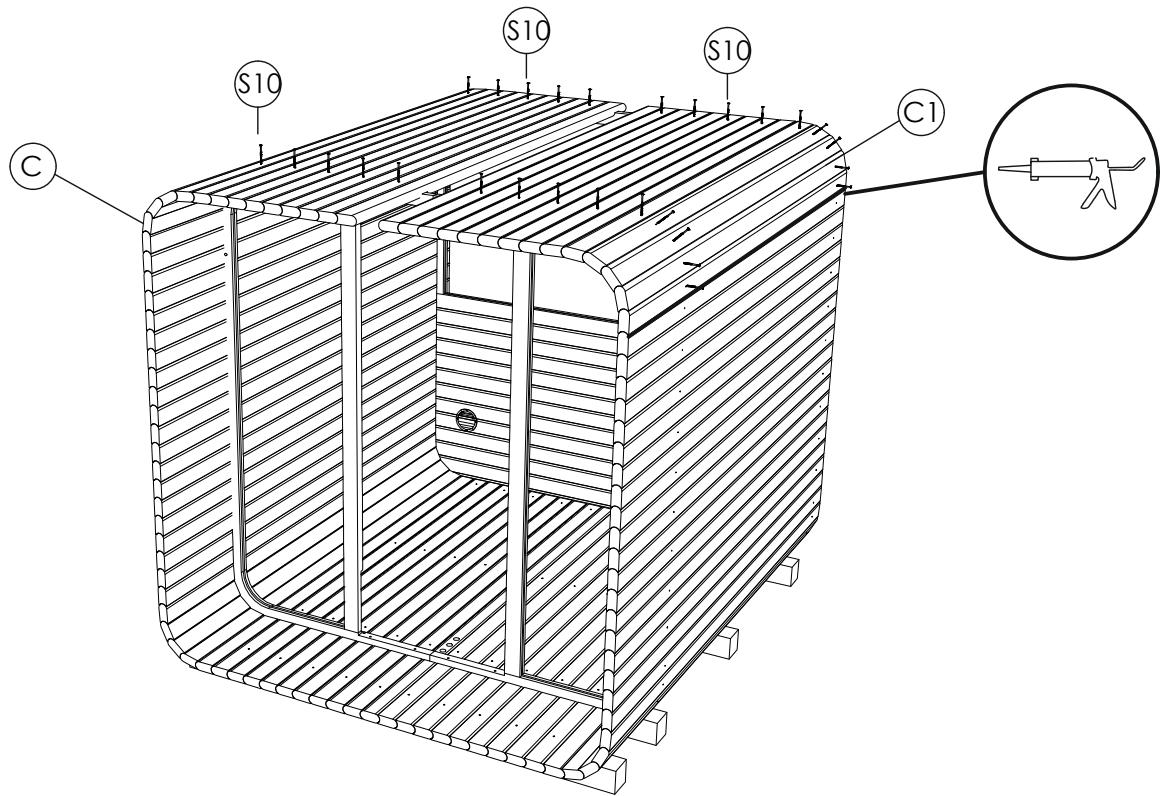
STEP 7: Install the panoramic panel (V1) with caution. Use foam between panels for insulation. Place it on top of the back panel. Check that side edges are aligned properly with both panels. One keeps holding the panel in line, and the other is fixing the staves (C; C1) on each sides curve using screws 4x60(S10). Check levels and fix the panel with screws at the ends of the panel's lower sides using screws 5x120(S4).



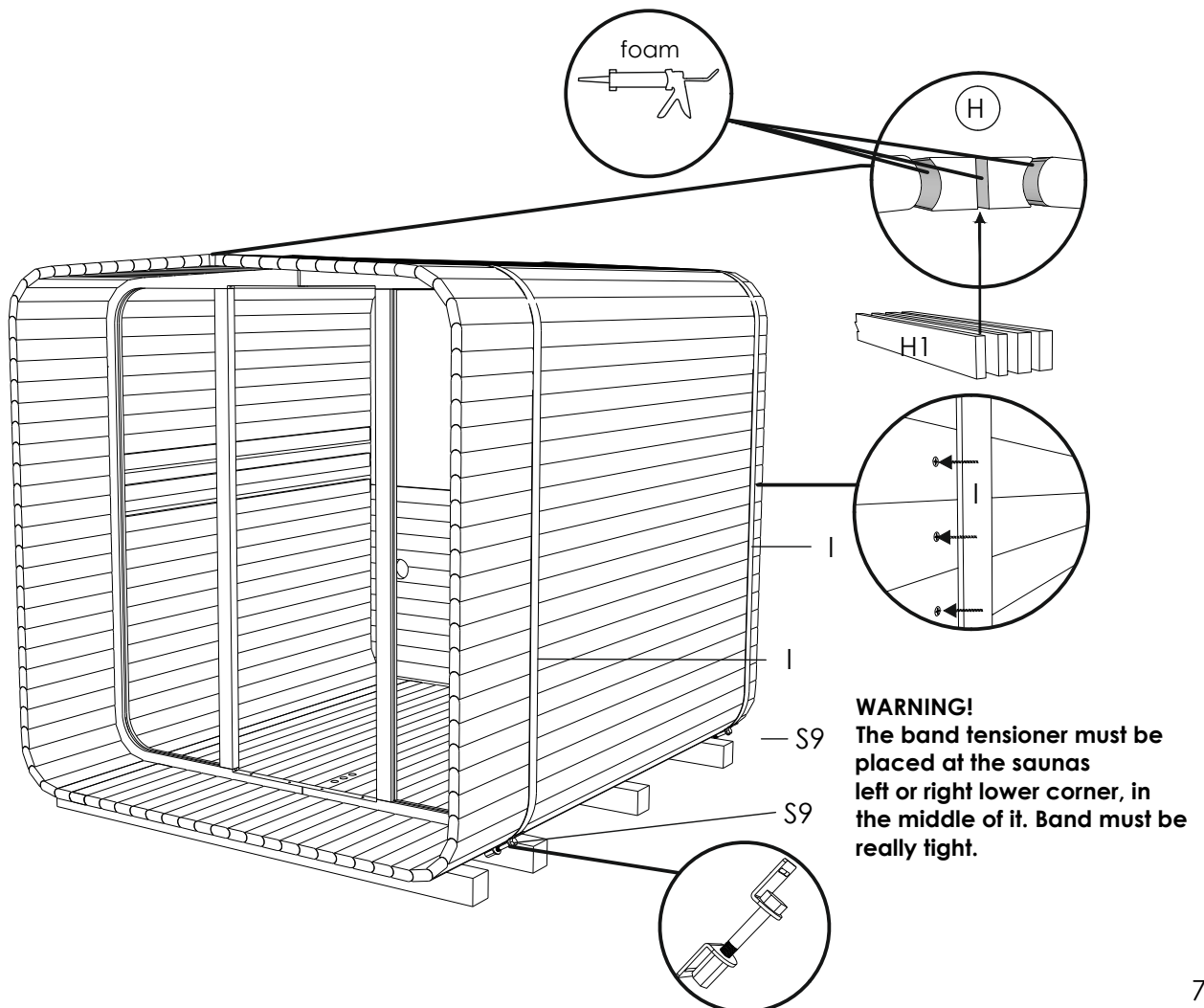
STEP 8: Fix the next staves (C; C1) on both sides with foam between them with screws 4x60(S10) for each side. Use a rubber hammer if necessary.



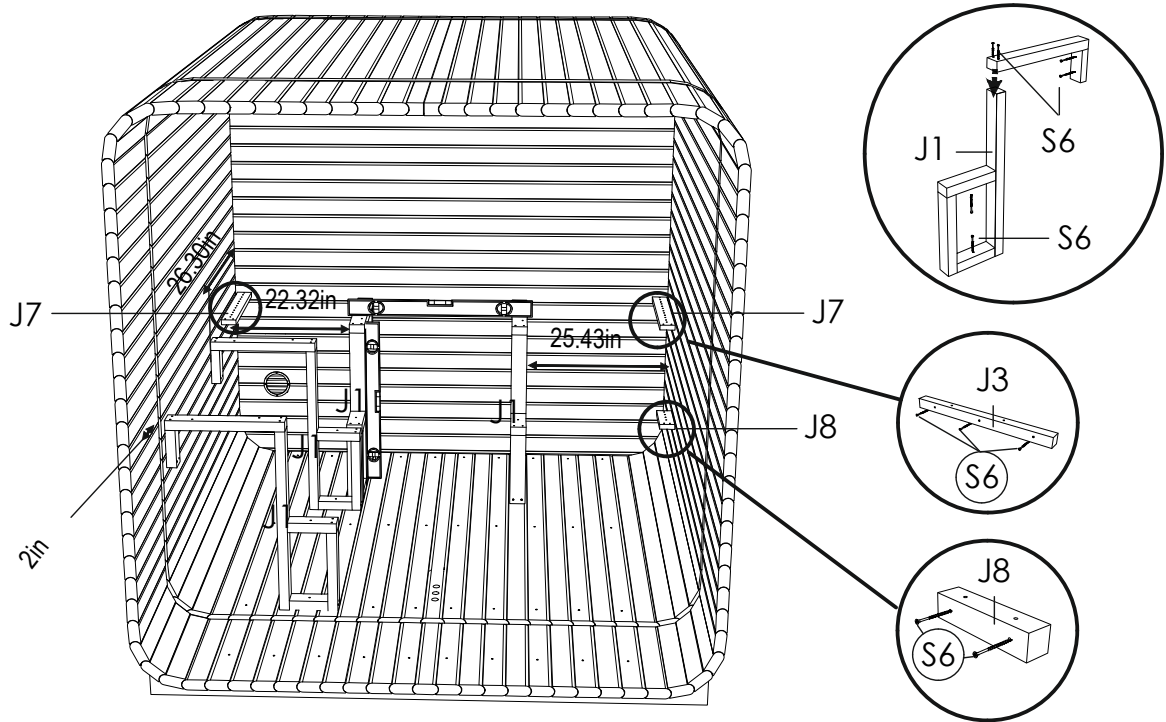
STEP 9: Fix the next body staves (C; C1) on both sides with foam between the staves with screws 4x60(S10) for each side. Use a rubber hammer if necessary.



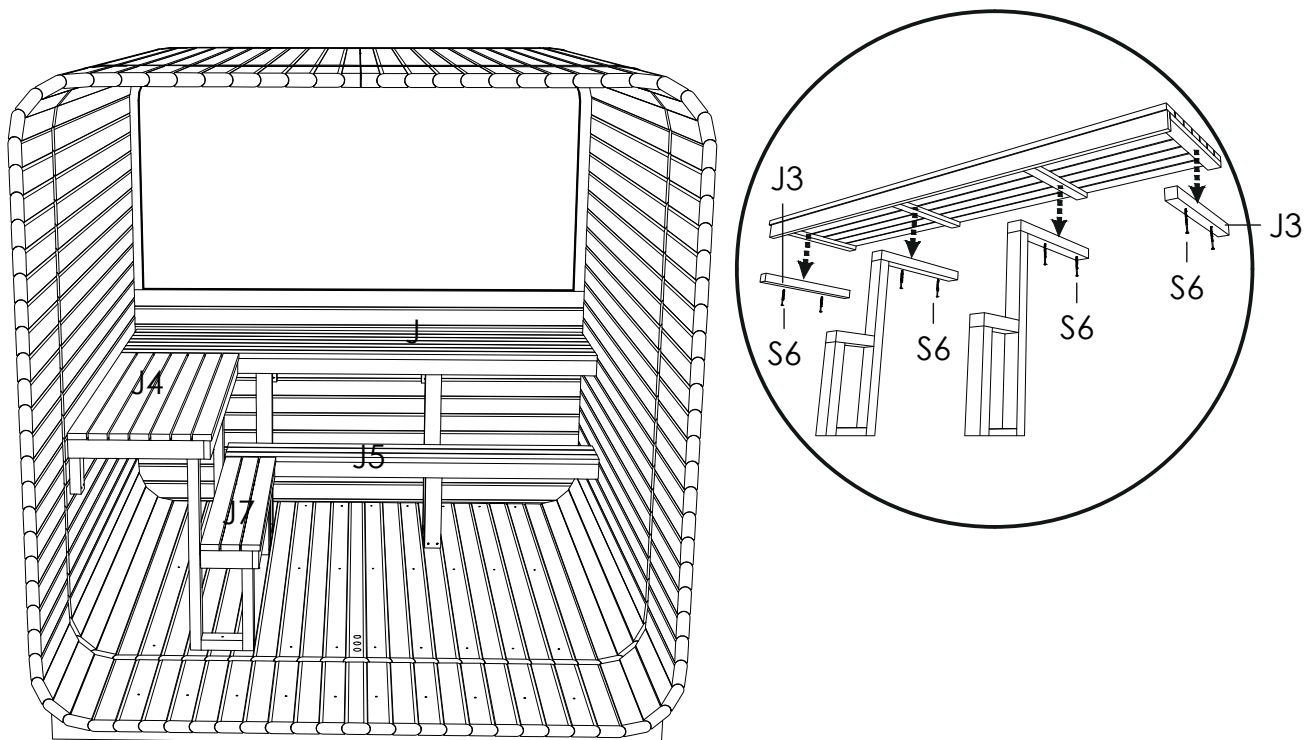
STEP10: If needed, use thinner staves (H1) to fill the gap between (H) staves and apply foam between staves. Install metal bands over the screw holes, then tighten the bands with screws (S9) down at the arc on one side.



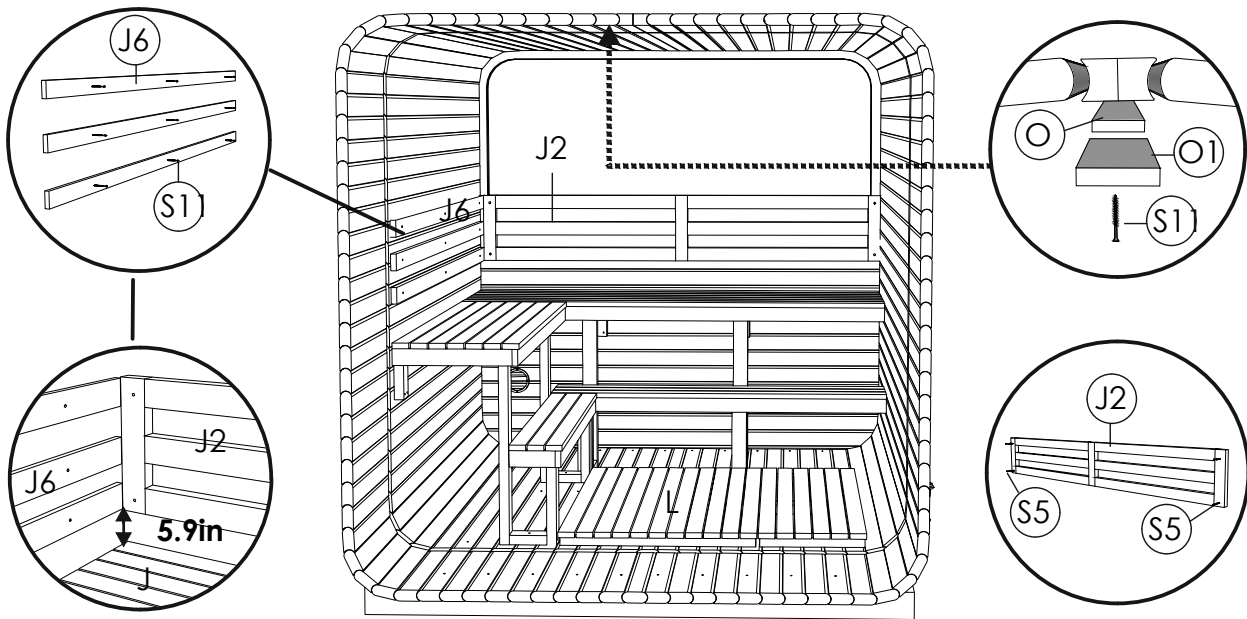
STEP 11: Install legs (J1) for benches. The first leg needs to be installed on the rear wall. Take measurements as in the picture, both legs (J1) are 22.32in and 25.43in. Install legs (J1) for benches. Then install bench support boards (J3;J8) on the side walls at the same level as the bench legs. Check the legs to ensure they are straight from all angles. The side wall leg (J1) is installed from the side of the doors. The first leg is 2in from the door panel, and the farther leg is 26.30in from the back panel.



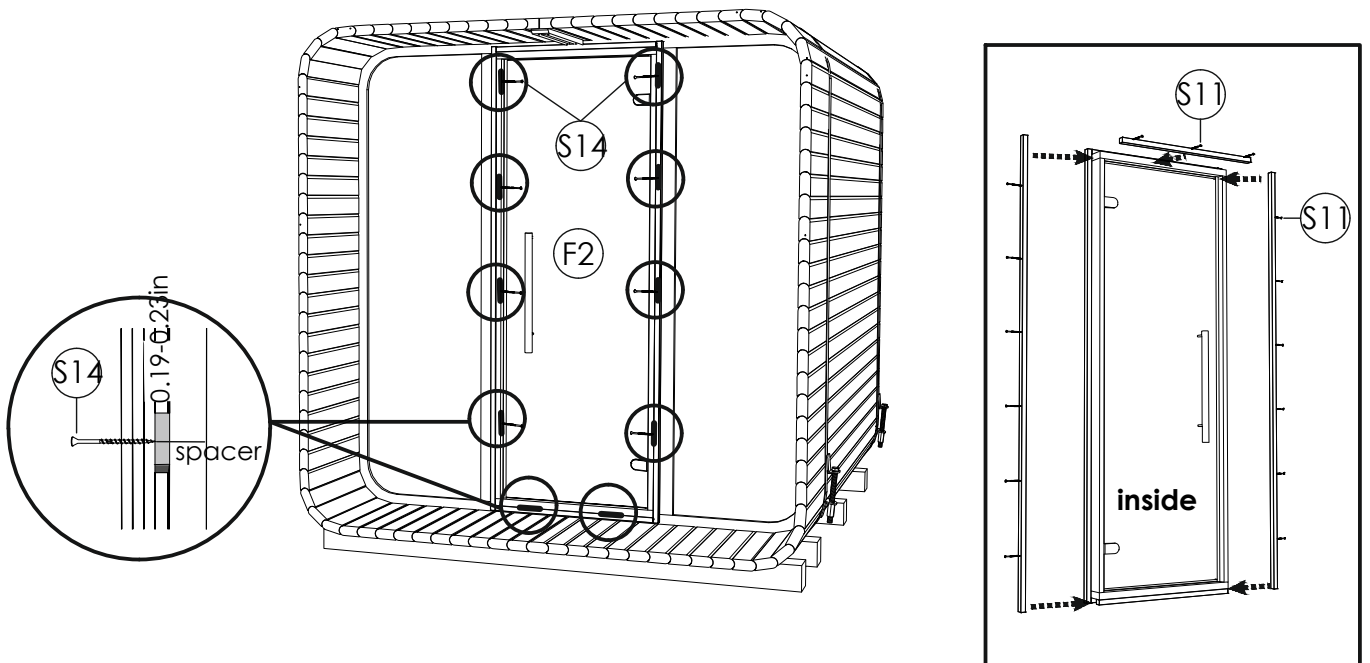
STEP 12: Install sauna benches on top of legs (J; J7; J4; J5). Bench cross boards have to match the tops of the bench legs. Check distances from walls, then fix benches on the legs.



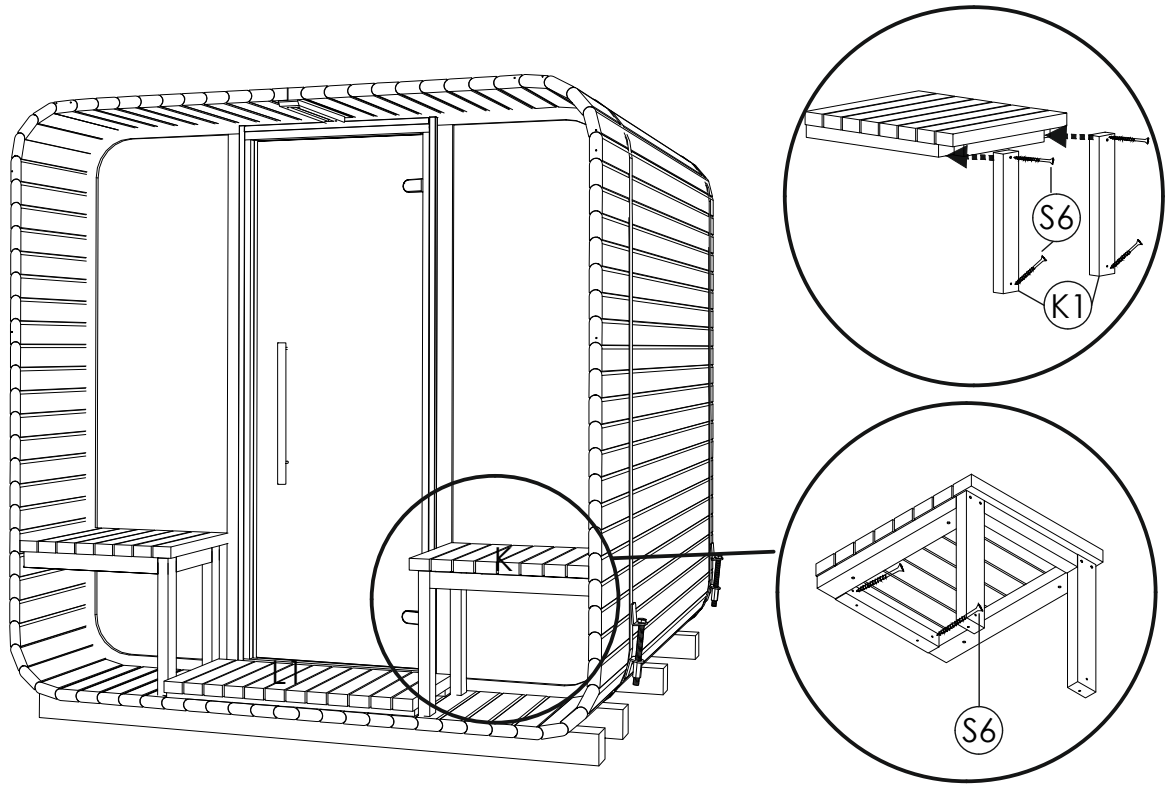
STEP 13: Install the ceiling board (O;O1) in the middle of the ceiling with screw 4x40SS (S11). Fix the backrest (J2) in front of the panoramic window, first 5.9in up from the sauna bench. Then install backrest staves (J6) at the same height as the backrest on the panoramic. Put in the flooring duckboard (L).



STEP 14: Install the doors (F2). Put the doors on treshold and lay in frame. Fix doors with clamps. Another person should be inside and put green plastic spacers in the gap between the door box and the front panel where the screws go. Fix door box with screws 5x80 (S14) through spacers. Install finishing door moldings around the door box with 4x40 (S11).



STEP 15: Screw both porch legs (K1) to bench using 5x70SS (S6) screws. Install porch benches (K), using screws 5.0 x 70SS (S6) and one outdoor floor duckboard (L1).



STEP 16: Place water proof roof cover (Z) and fix with slat (Z1) and four screws 4.0x50SS (S5). Then install front and rear decorative roof finishing boards (W), fixing by screws 4.2x55(S7).

