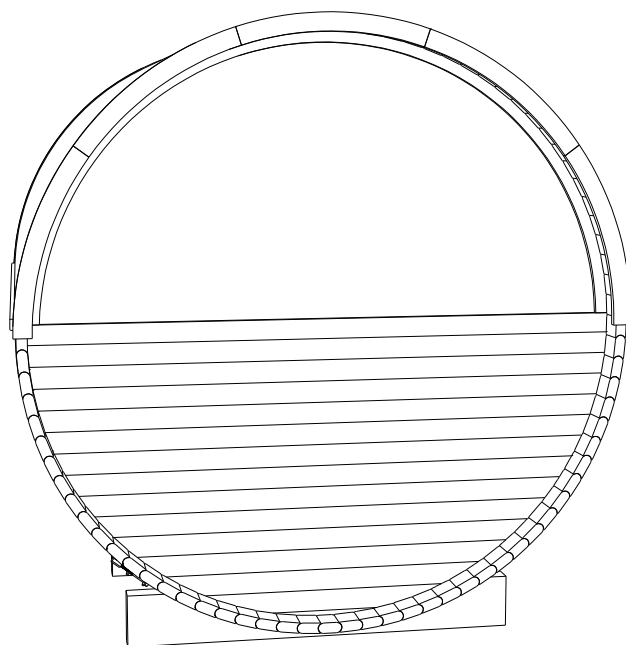
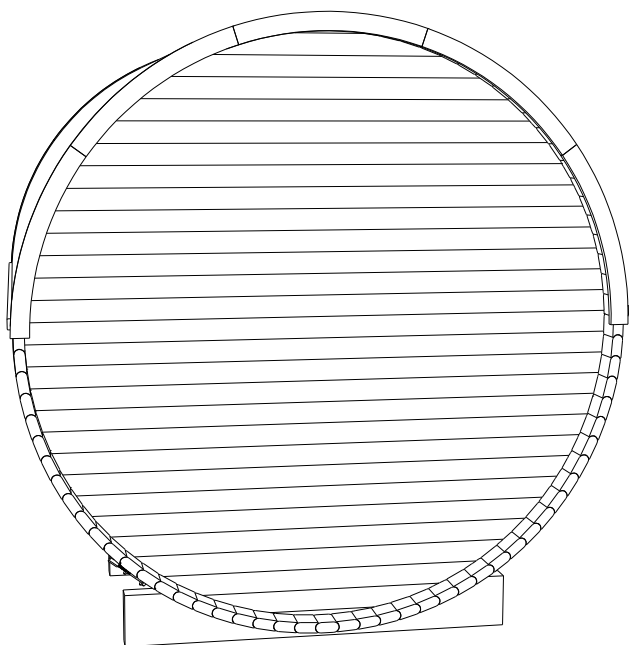
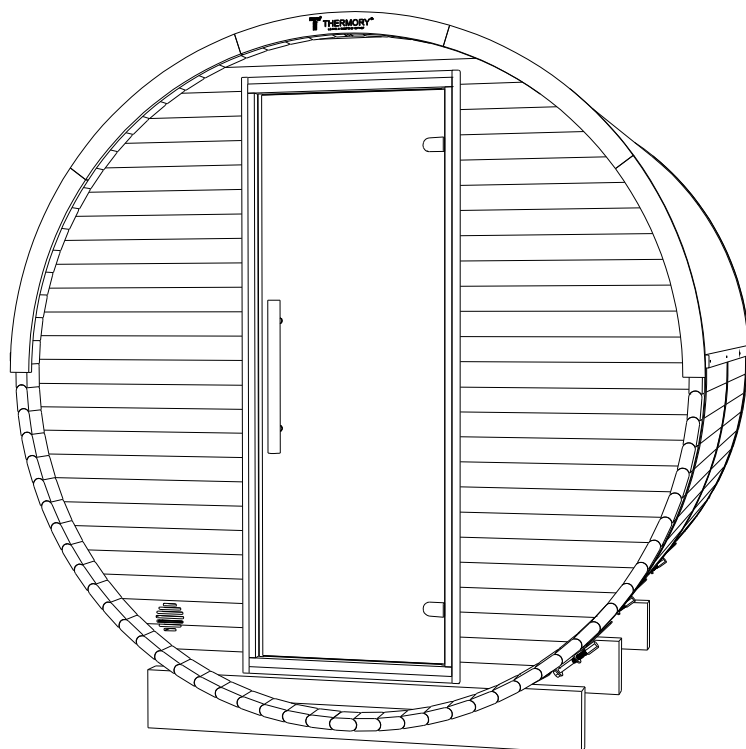


BARREL SAUNA

ASSEMBLY INSTRUCTIONS



Model: No51; No53; No63

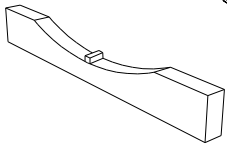
Model: No50; No52; No62

Note: Please read the manual before construction

Rev. 23.09.2024.

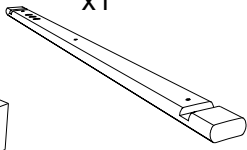
PART LIST

A x3



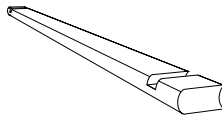
cradle

B x1



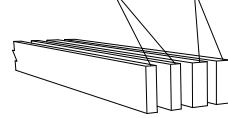
center stave

C No50s | No60s
x74 | x88



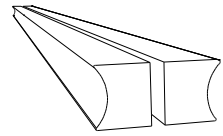
body stave

H1 x4
10mm 15mm



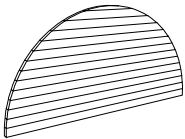
different thickness filling peaces

H x2



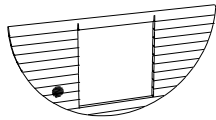
final H tipe stave at the top

V3 x1



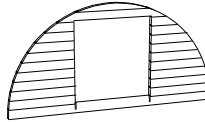
upper rear panel

F x1



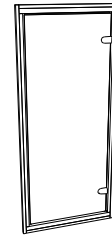
front panel bottom

F1 x1



front panel top

F2 x1



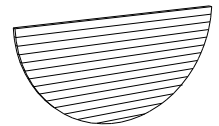
door and door moldings

x1 x1



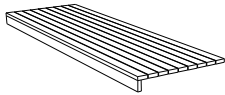
x1

V x1



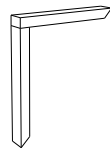
bottom rear panel

J x2



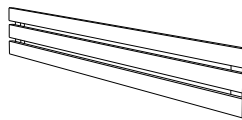
sauna bench

J1 x2



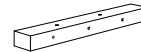
supporting leg

J2 x2



backrest

J3 x4



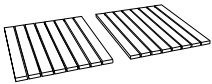
wall mount

N1 x2



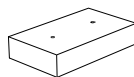
door handle

L x2



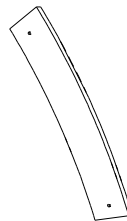
sauna floor

L1 x6



fixing block for sauna floor

W x10



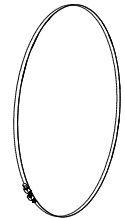
decorative roof finishing board

O x1



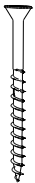
roof board

I x3



metal band

S1 No50s | No60s
x45 | x50



screw 5.0x100 SS

S10 No50s | No60s
x135 | x160



screw 4.0x60

S5 No50s | No60s
x25 | x50



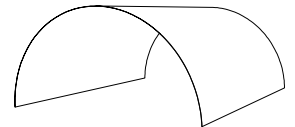
screw 4.0x50 SS

S4 x11



screw 5.0x120

Z x1



Waterproof roof cover

S6 x30



screw 5.0x70 SS

S7 x35



screw 4.2x55 brown

S2 x25



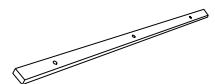
screw 4.0x70 SS

S14 x10



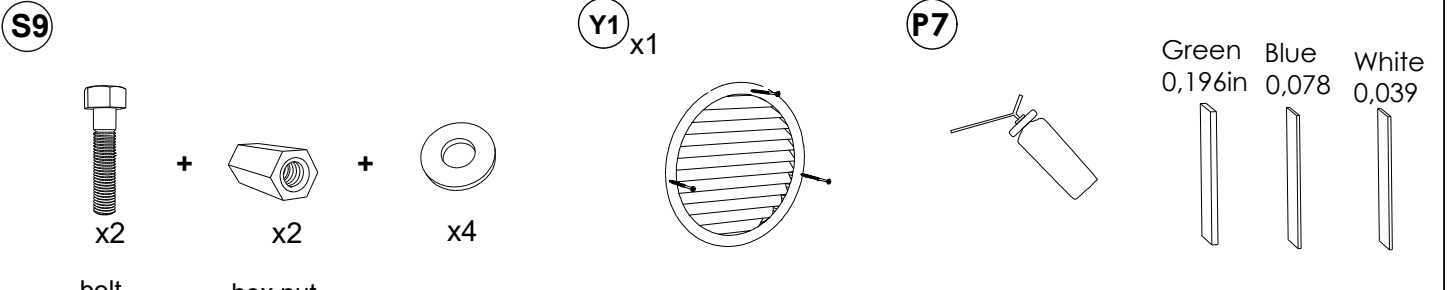
screw 5.0x80

Z1 x2




Slat for roof cover

PART LIST

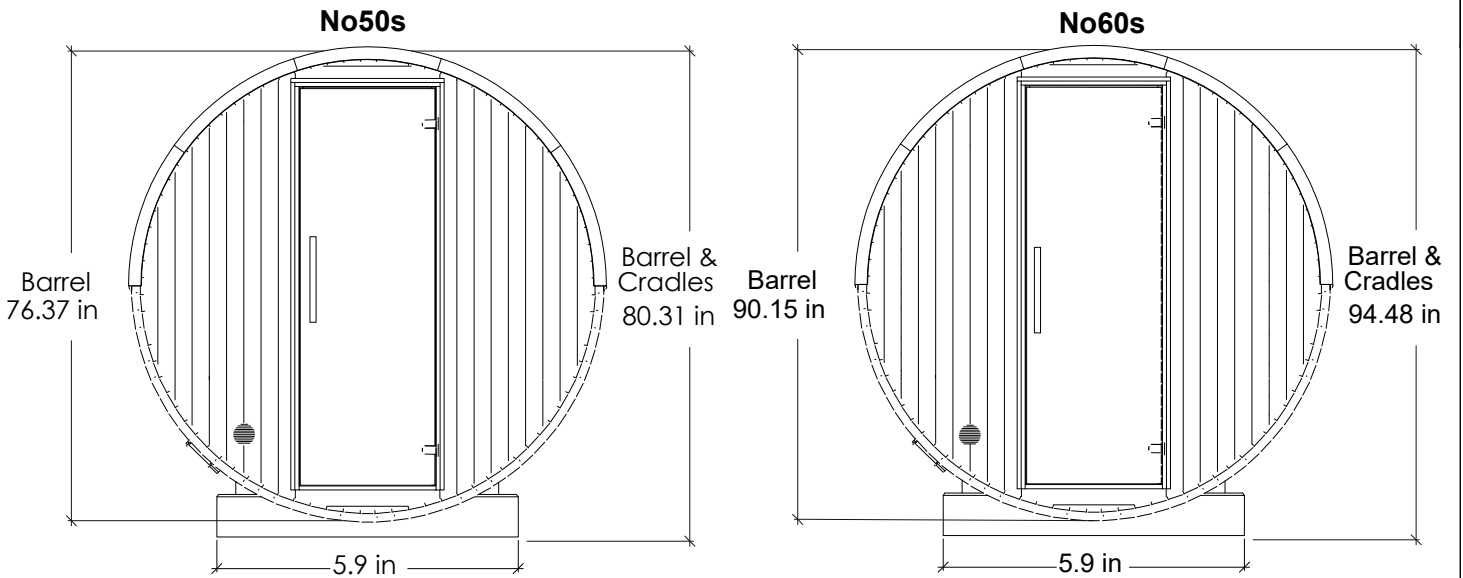
S9 **Y1** **P7**


 x2 x2 x4 x1 Green 0,196in Blue 0,078 White 0,039
 bolt hex nut flat washer ventilation grill Construction foam door box spacers
 Ø12x140 M12 (SW19)



 Hand saw

Barrel Dimensions



RECOMMENDATION



2 person recommended

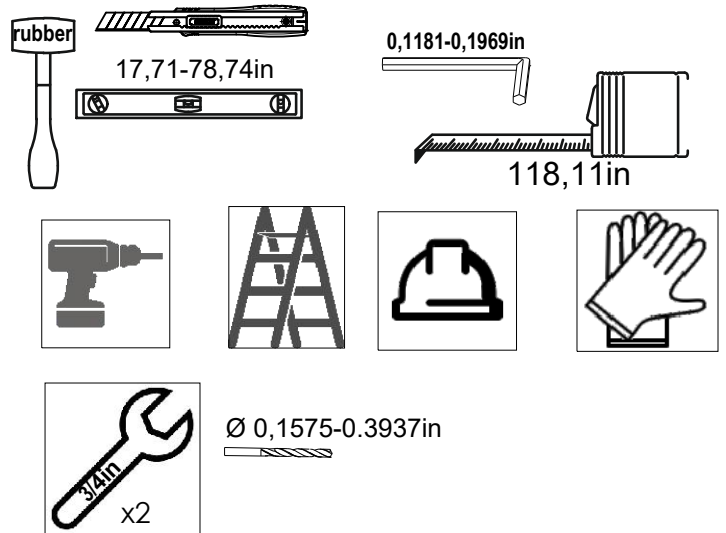
Before you begin, be sure the sauna will fit in your chosen location.

Be sure the site is level and free of standing water after rainfall.

Concrete, pavers or crushed stone is preferred.

Check parts before construction.

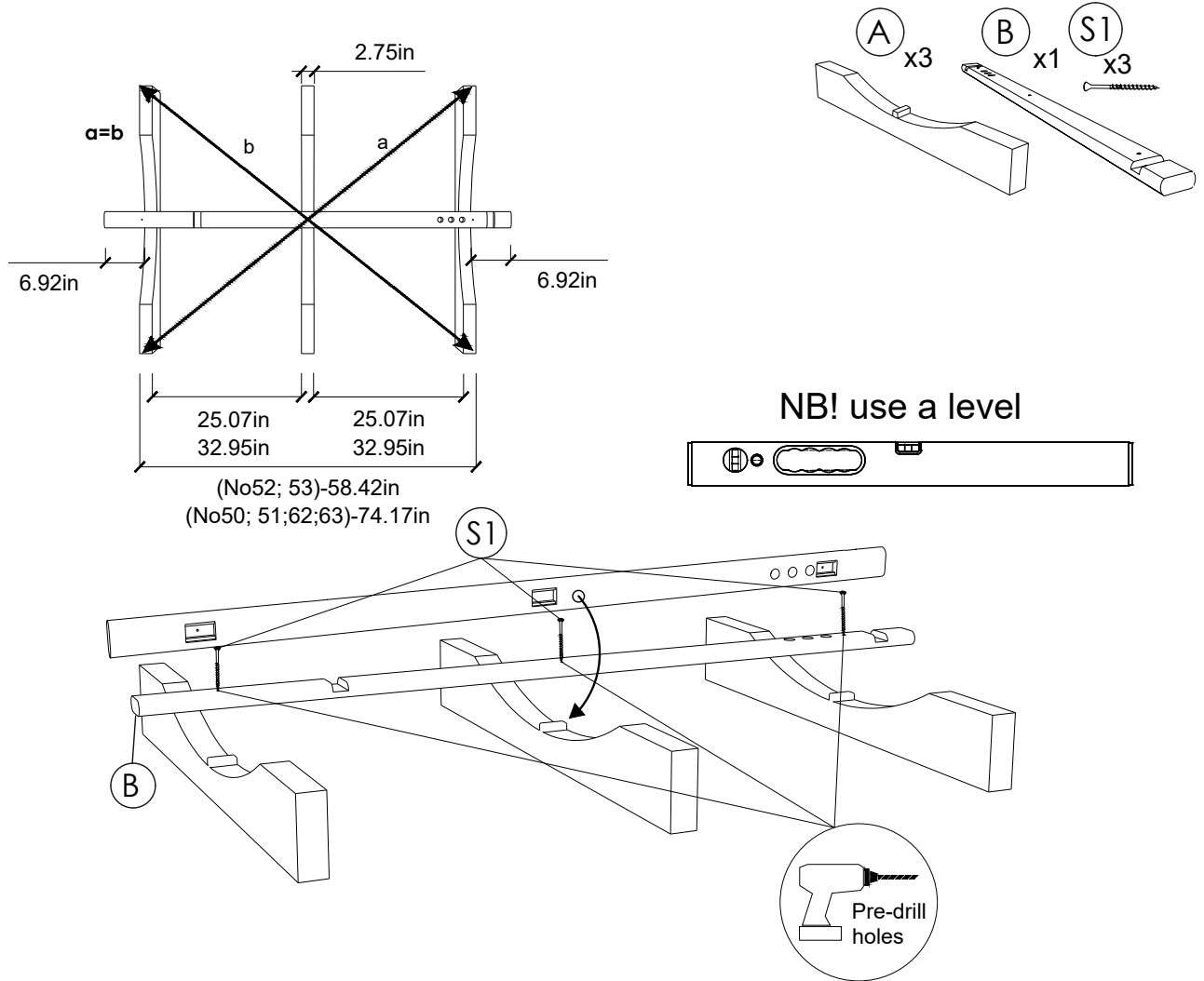
TOOLS REQUIRED



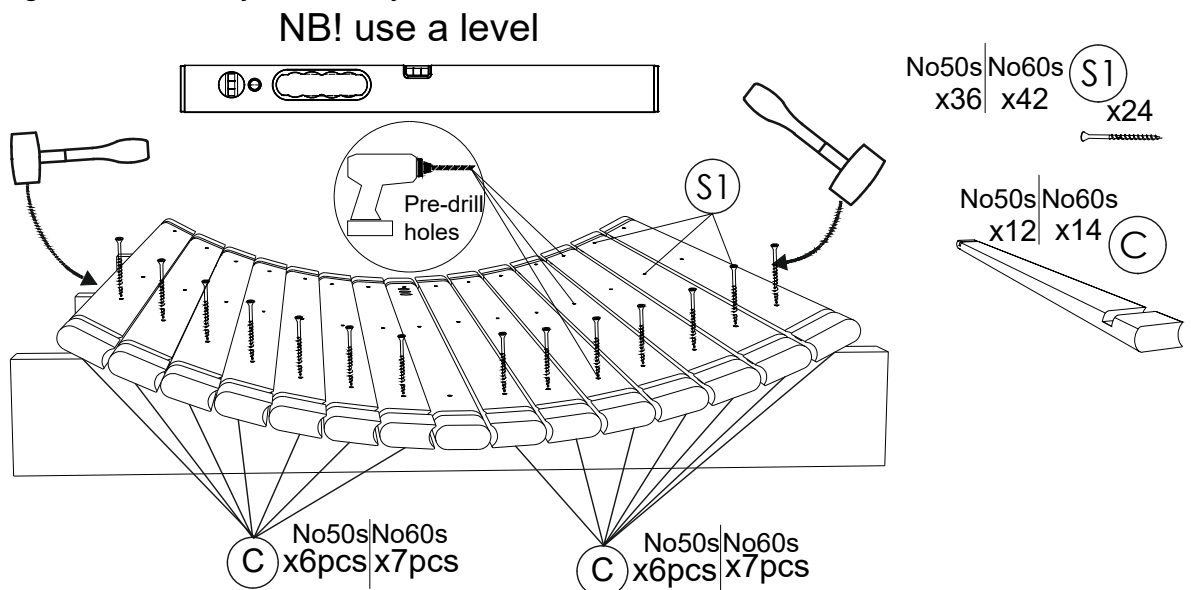
rubber 17,71-78,74in 0,1181-0,1969in 118,11in

Ø 0,1575-0,3937in x2

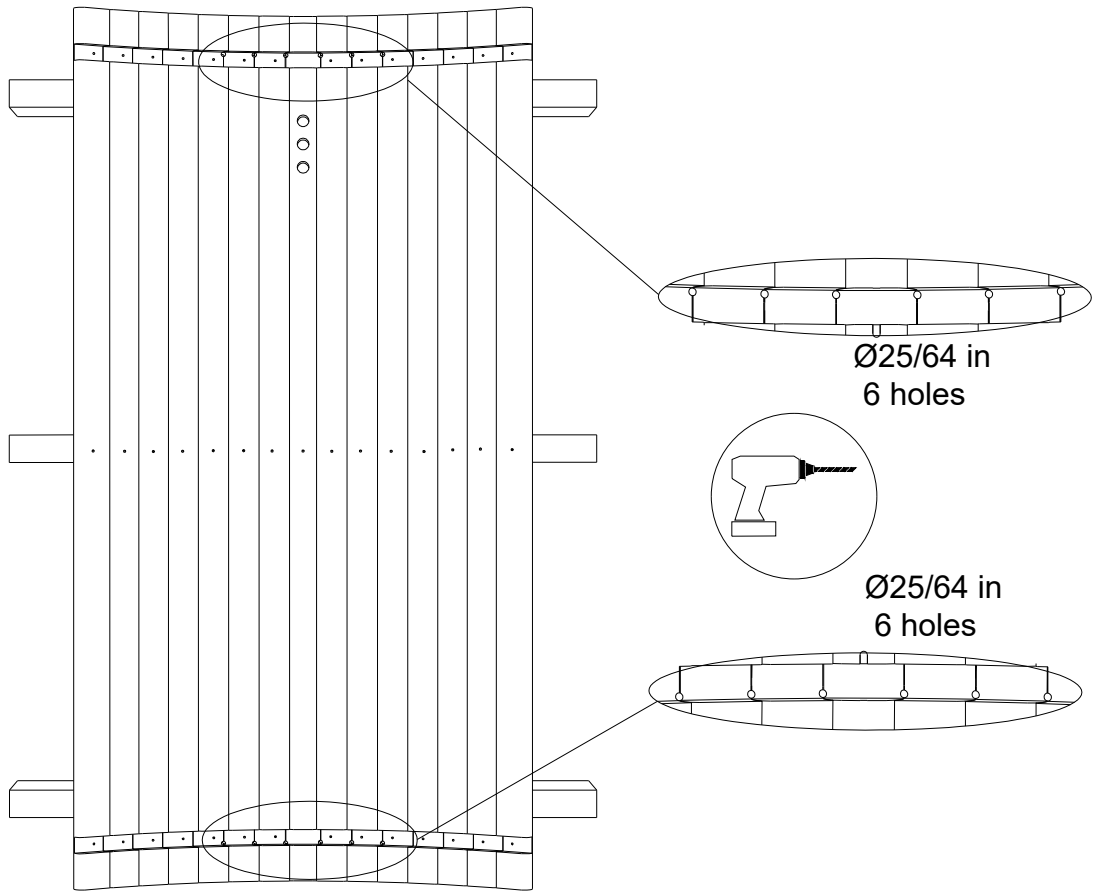
STEP 1: Measure support cradles (A) diagonally from corner to corner. Measurements “a” and “b” should be equal to ensure the cradles are square. Be sure cradles remain level. Place the support cradles (A) on level site. Carefully level for better stability. Place the center stave (B) on wooden dowels embedded in outer support cradles (A). Fix the center stave (B) with 5.0x100 SS(S1). Pre-drill holes before fix staves with screws.



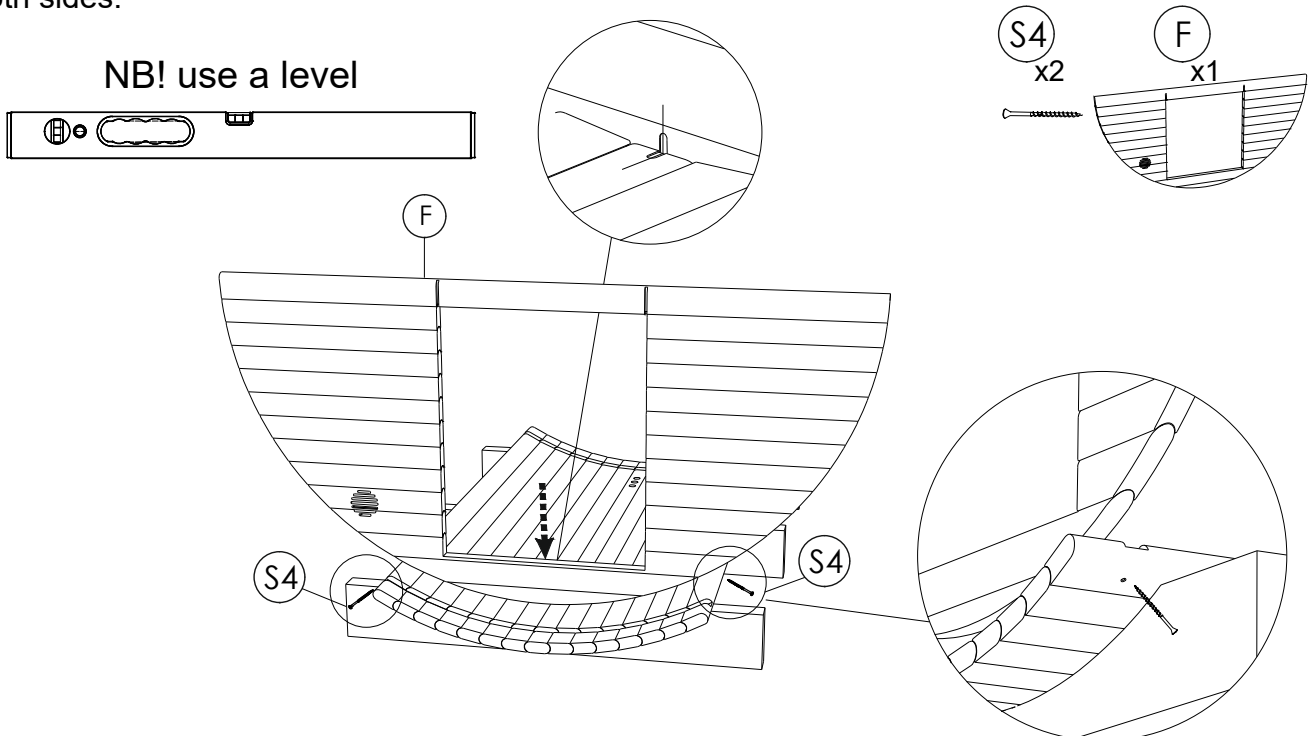
STEP 2: Pre-drill holes before fix staves with screws. Place 6 (R190) or 7 (R225) sauna body staves (C) to each side of the center stave (B) and fix with screws 5.0x100 SS (S1). Be sure to align the panel groove on every next body stave, to do that use rubber hammer.



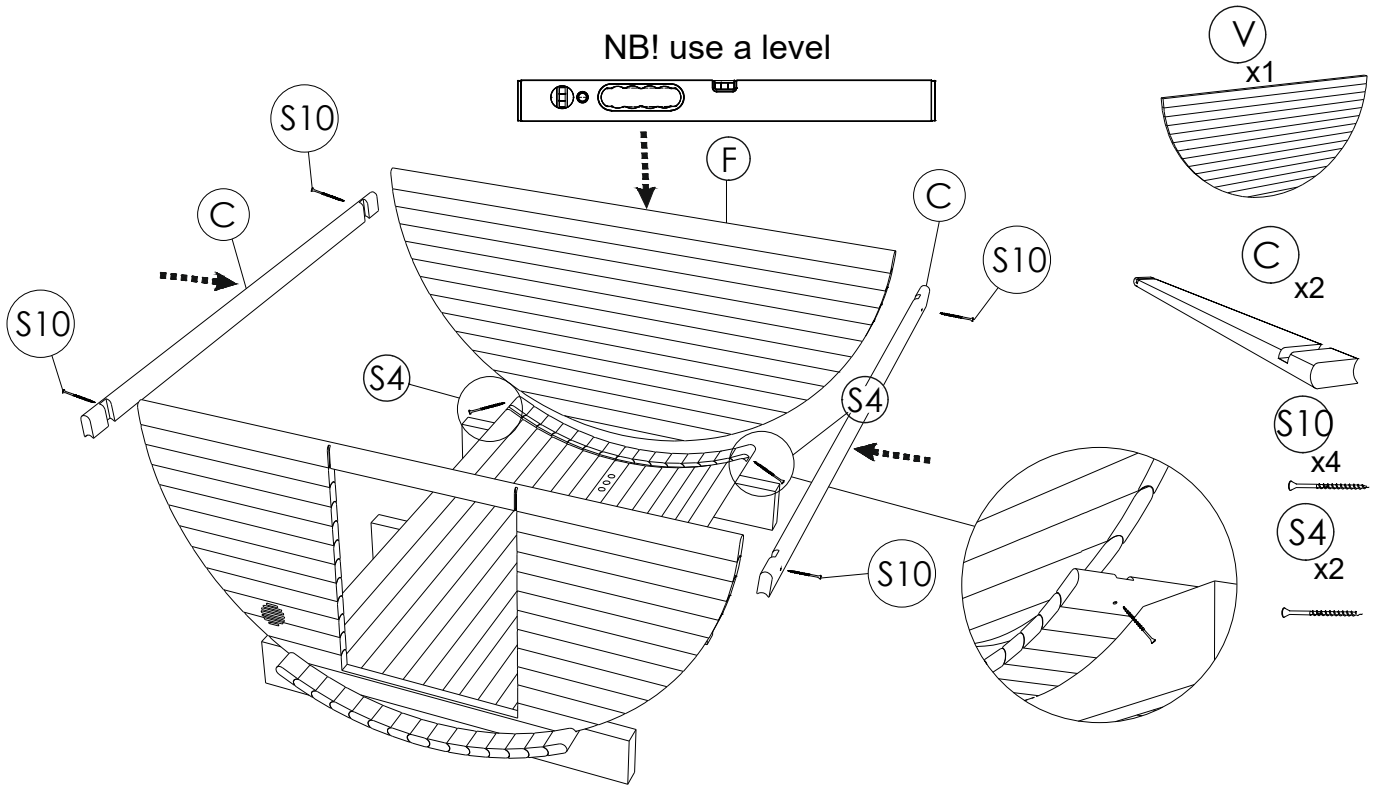
STEP3: Drill six 25/64 in holes in front and back wall groove to the out-side in board connections as shown in the picture.



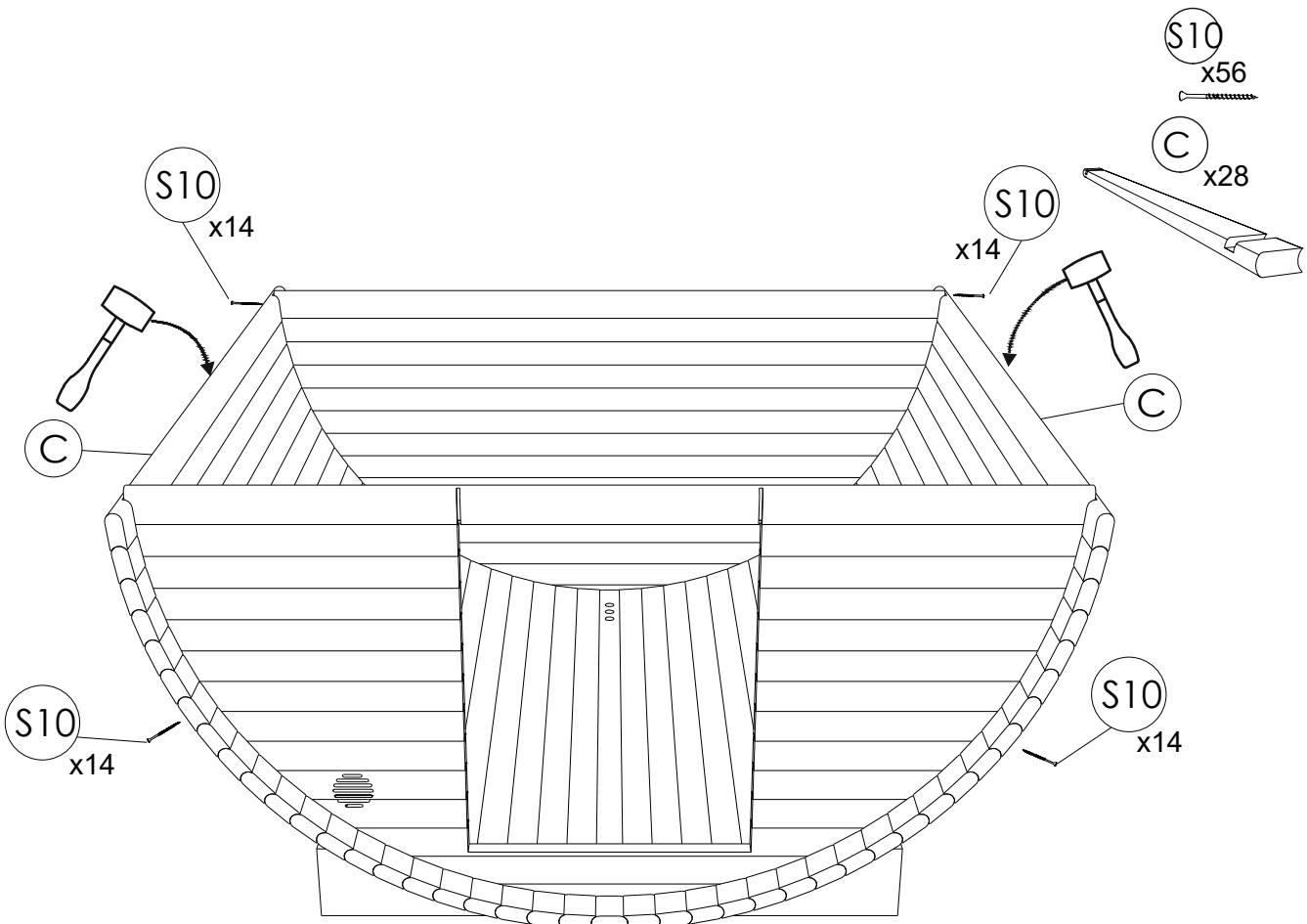
STEP 4: Place front bottom panel (F) in stave groove, be sure panel is centered, leveled, completely seated. Fix panel using 5.0 x 120 (S4) screws through last floor stave on both sides.



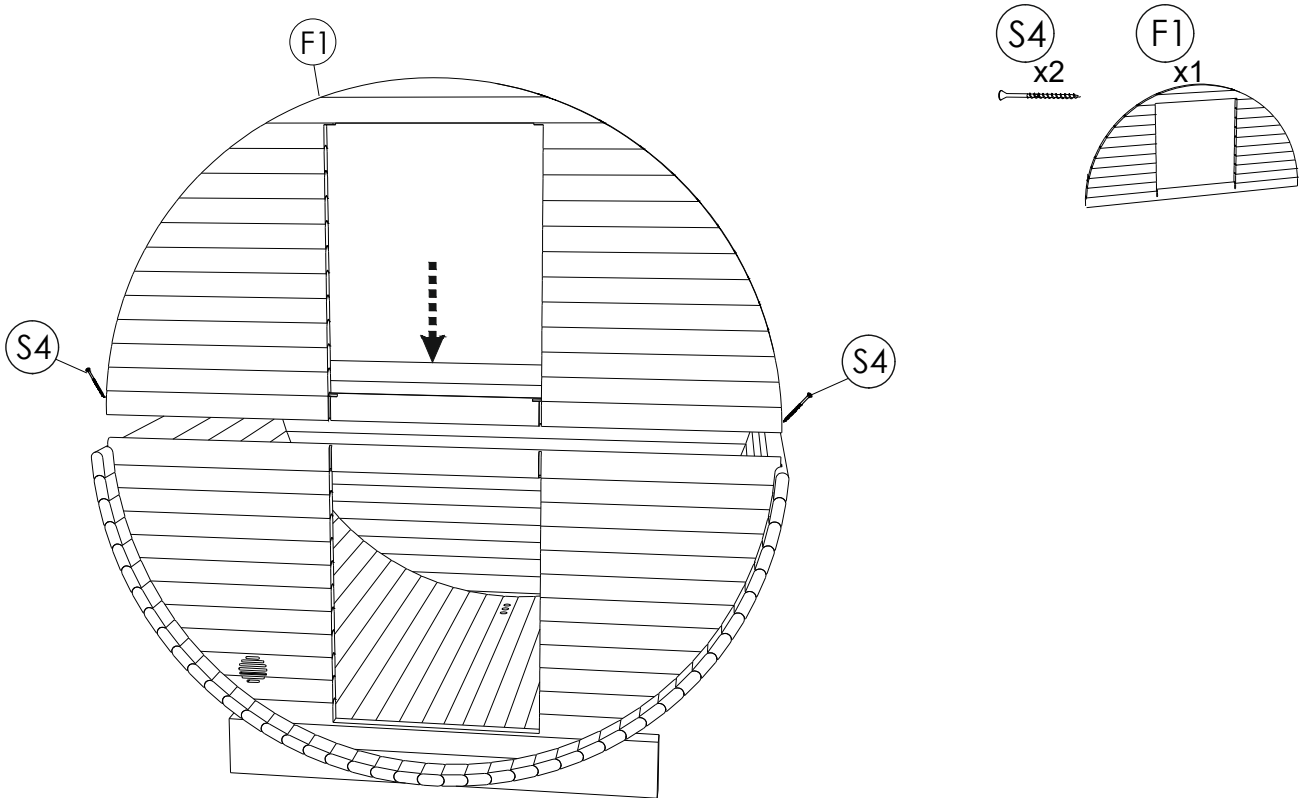
STEP 5: Place rear panel (V) in stave groove, be sure panel is centered, leveled, completely seated. Fix panel using 5.0 x 120 (S4) screws through last floor stave on both sides.



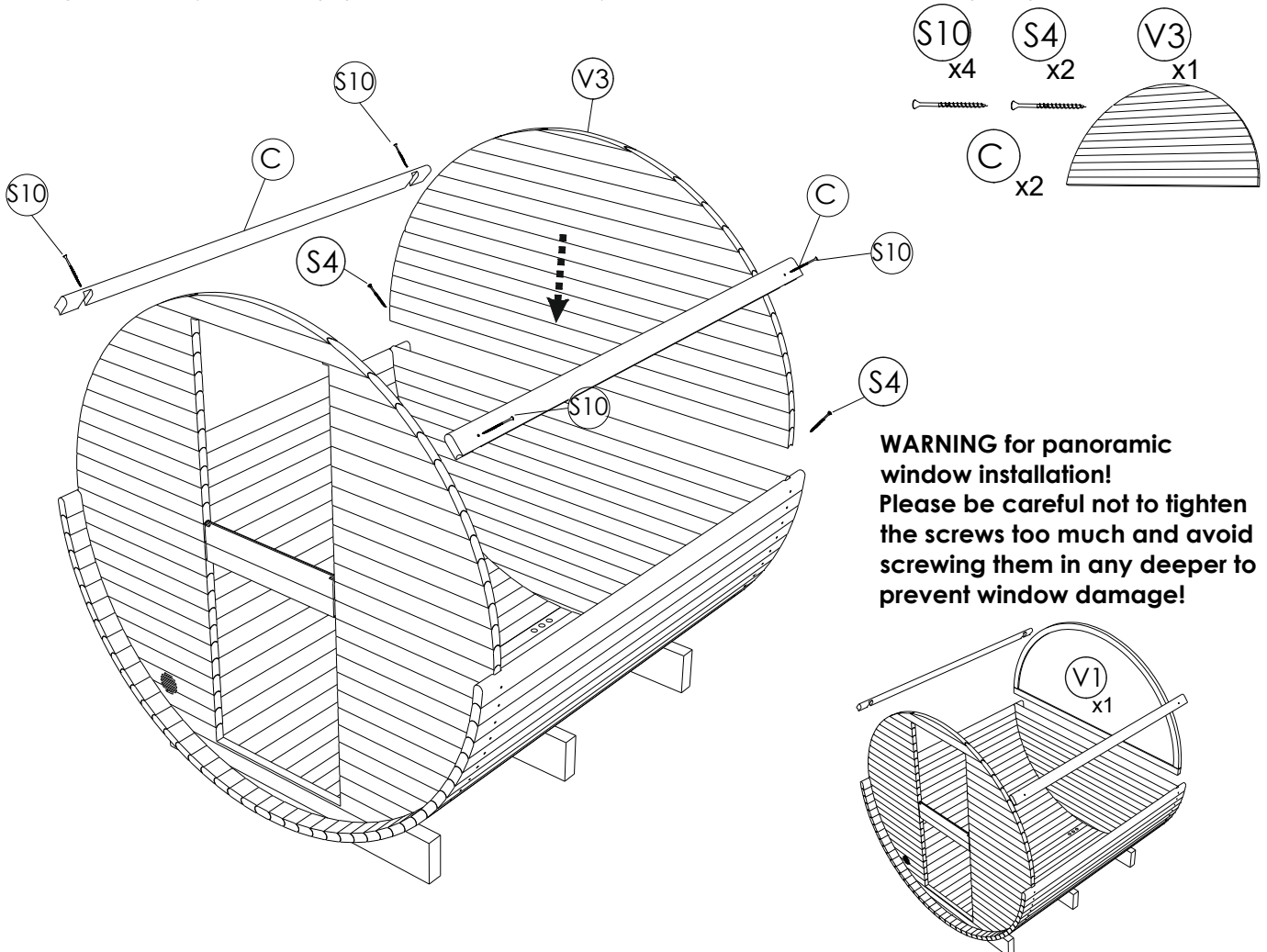
STEP 6: Continue placing body staves (C) tightly on both sides of the sauna using rubber mallet, and fixing body staves with screws 4.0x60(S10) . Fix one stave higher on left side than at right.



STEP 7: Place front top panel (F1) on front bottom panel (F), be sure panel is centered, leveled, completely seated. Fix panel using 5.0 x 120 (S4) screws on both sides.

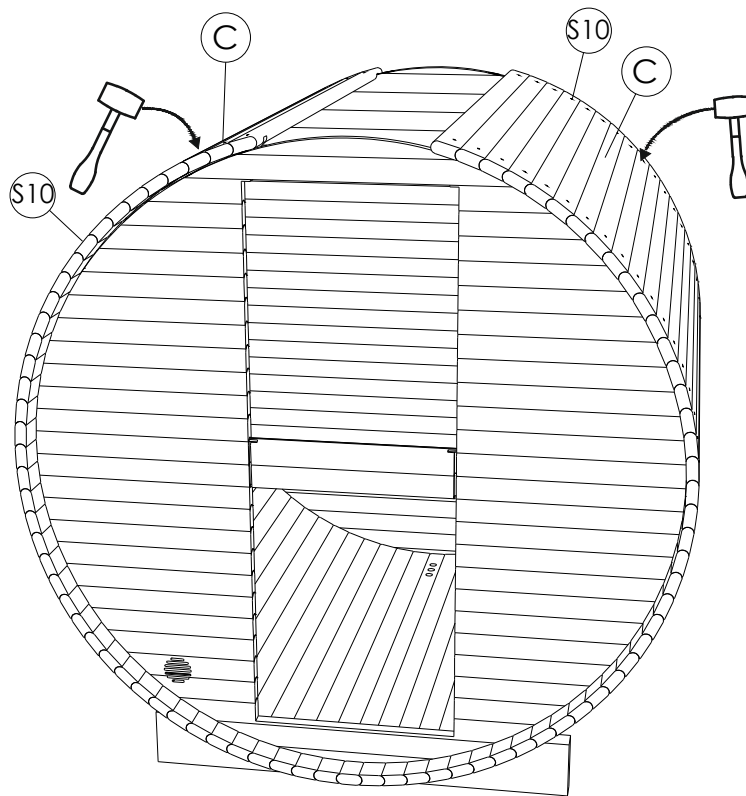


STEP 8: Take the upper rear panel (V3 or V1-panoramic window) and place it on the bottom rear panel (V). Secure it by using 2 screws 5.0 x 120 (S4). Connect the panels (F2; V3) together by placing one body staves (C) both sides where you can reach, with 4.0x60 (S10) screws.



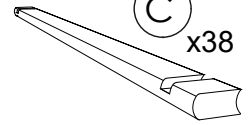
WARNING for panoramic window installation!
Please be careful not to tighten the screws too much and avoid screwing them in any deeper to prevent window damage!

STEP 9: Continue placing body staves (C) tightly on both sides of the sauna using rubber mallet, and fixing body staves with screws 4.0x60(S10).

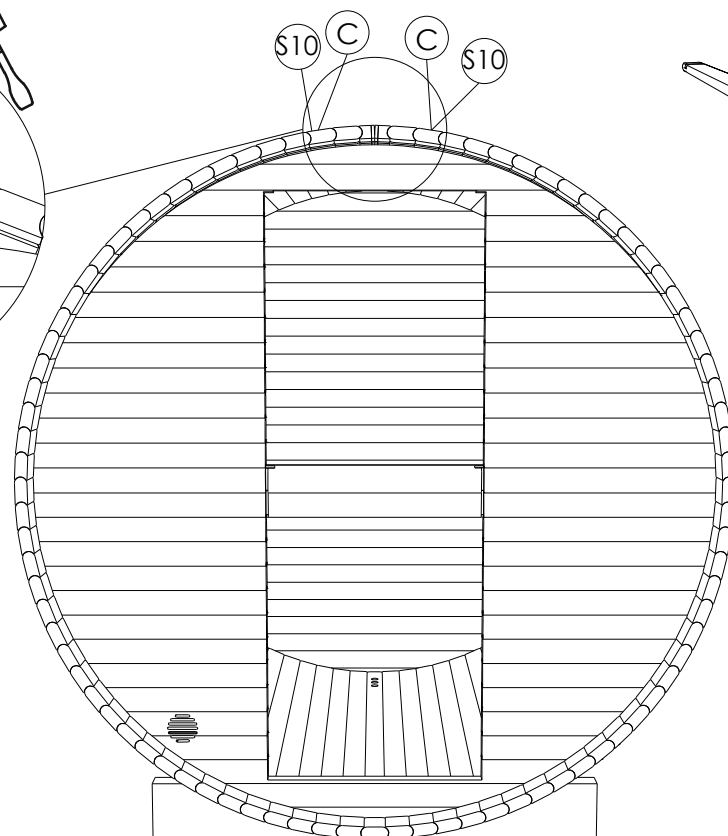
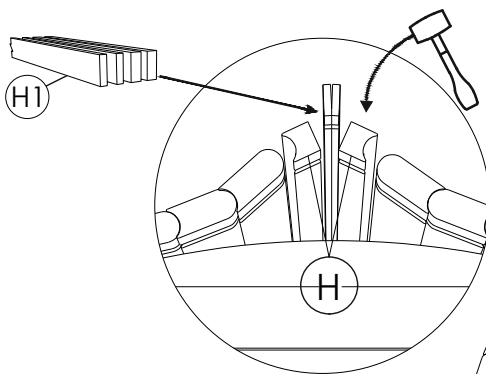


S10
x72

C
x38



STEP 10: To finish the roof top joint, don't screw about last 2-3 boards (C) to each side, use roof finishing item (H). Different thickness filling pieces (H1) are provided to completely fill the gap. Once necessary parts are in, fix last boards with screws.

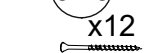
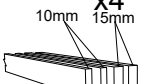
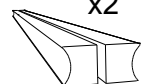
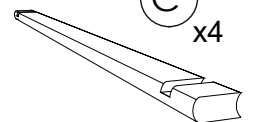


C
x4

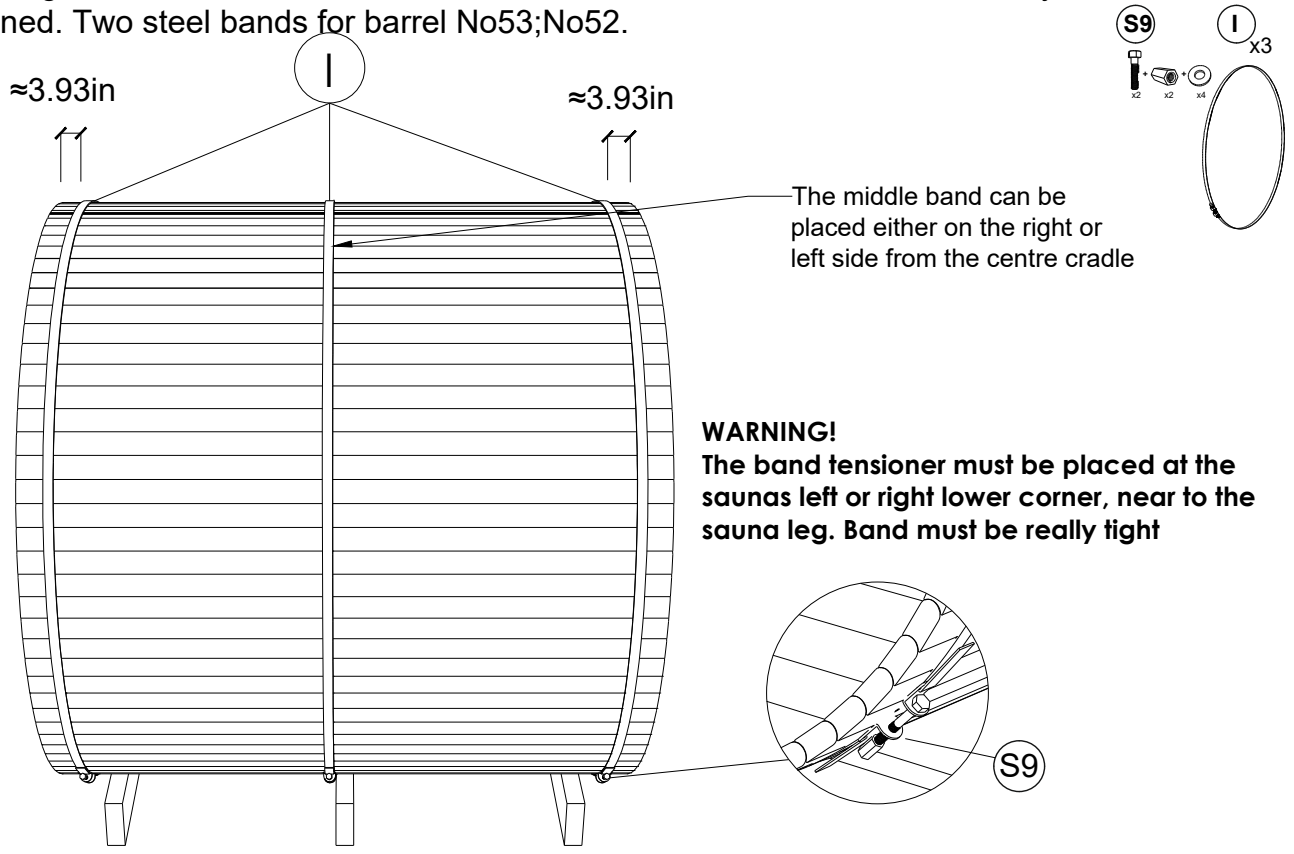
H
x2

H1
10mm 15mm
x4

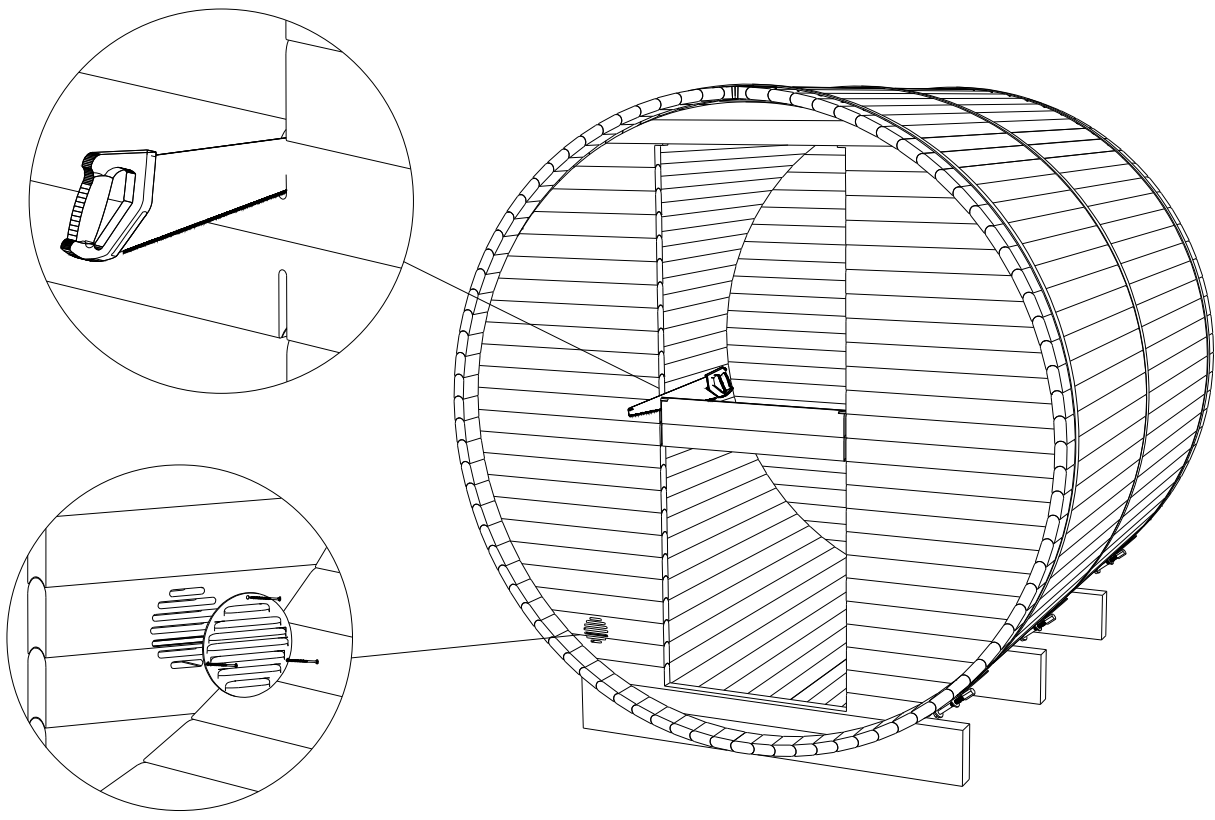
S10
x12



STEP 11: Install steel bands (I) by wrapping bands around the barrel, then connect with bolts and nuts (S9). Place steel bands evenly around the barrel no more than 3.93in from sauna front and back edges. Bands should cover screw heads evenly. The middle band can be placed either on the right or left side from the centre cradle. The bands should be tense, they cant be loosened. Two steel bands for barrel No53;No52.

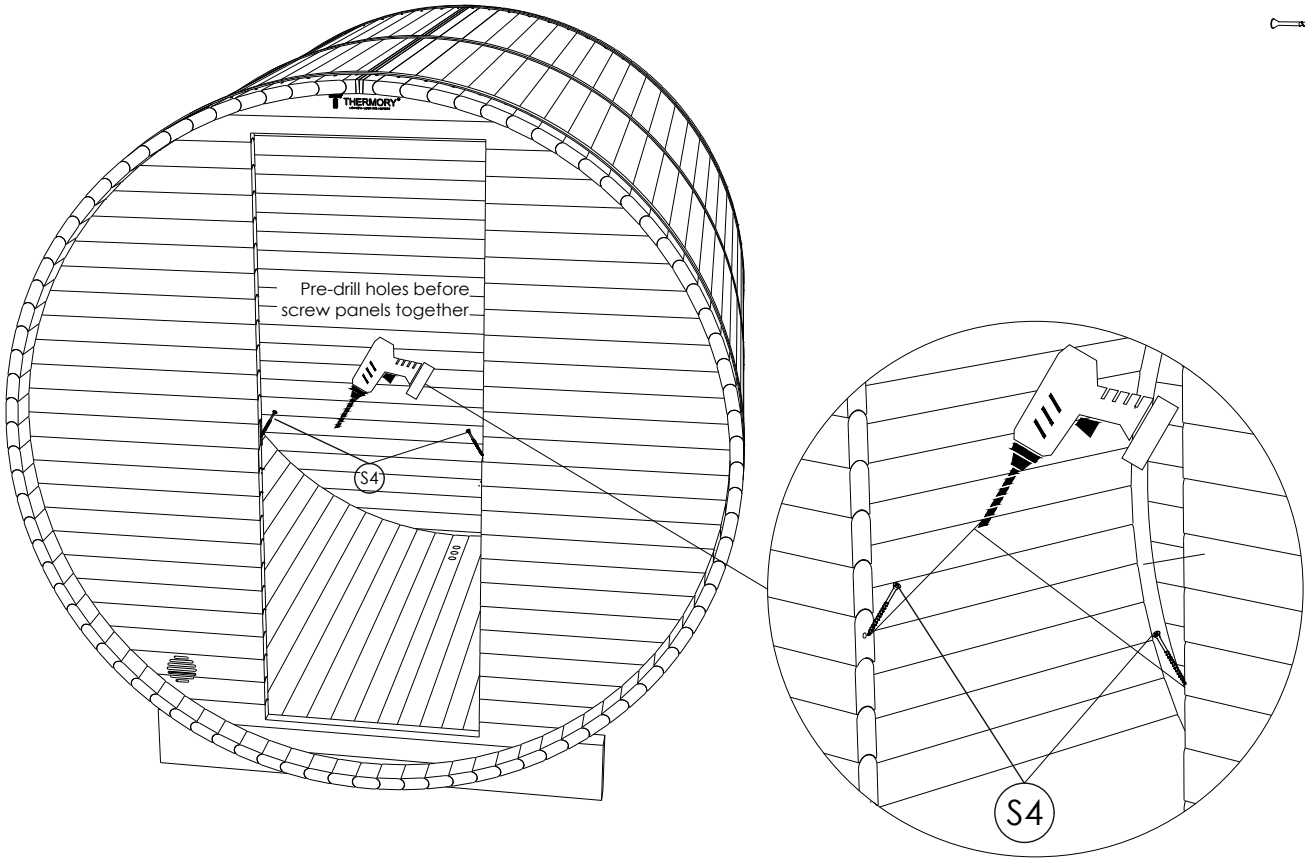
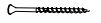


STEP 12: Draw straight line to connect both cuts. Use hand saw or other cutting machine to saw out excess boards for door box. It's recommended to saw out boards from inside. Fix ventilation grill (Y) from inside on ventilation cuts.



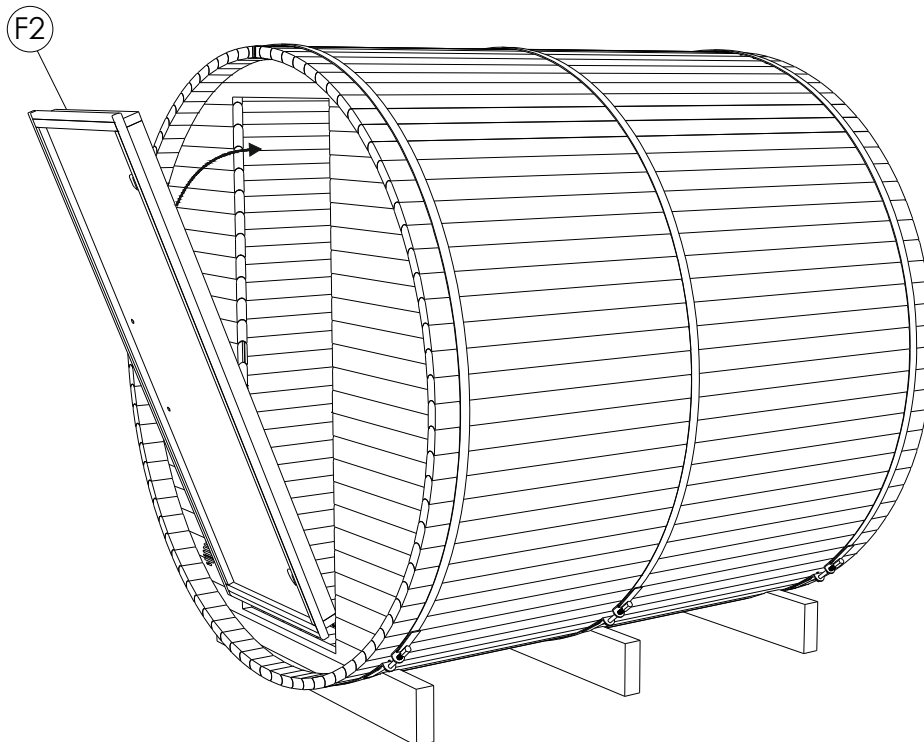
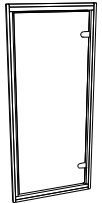
STEP 13: Pre-drill holes for screws. Fix both panels together using 5.0x120 (S4) screws.

(S4)
x2

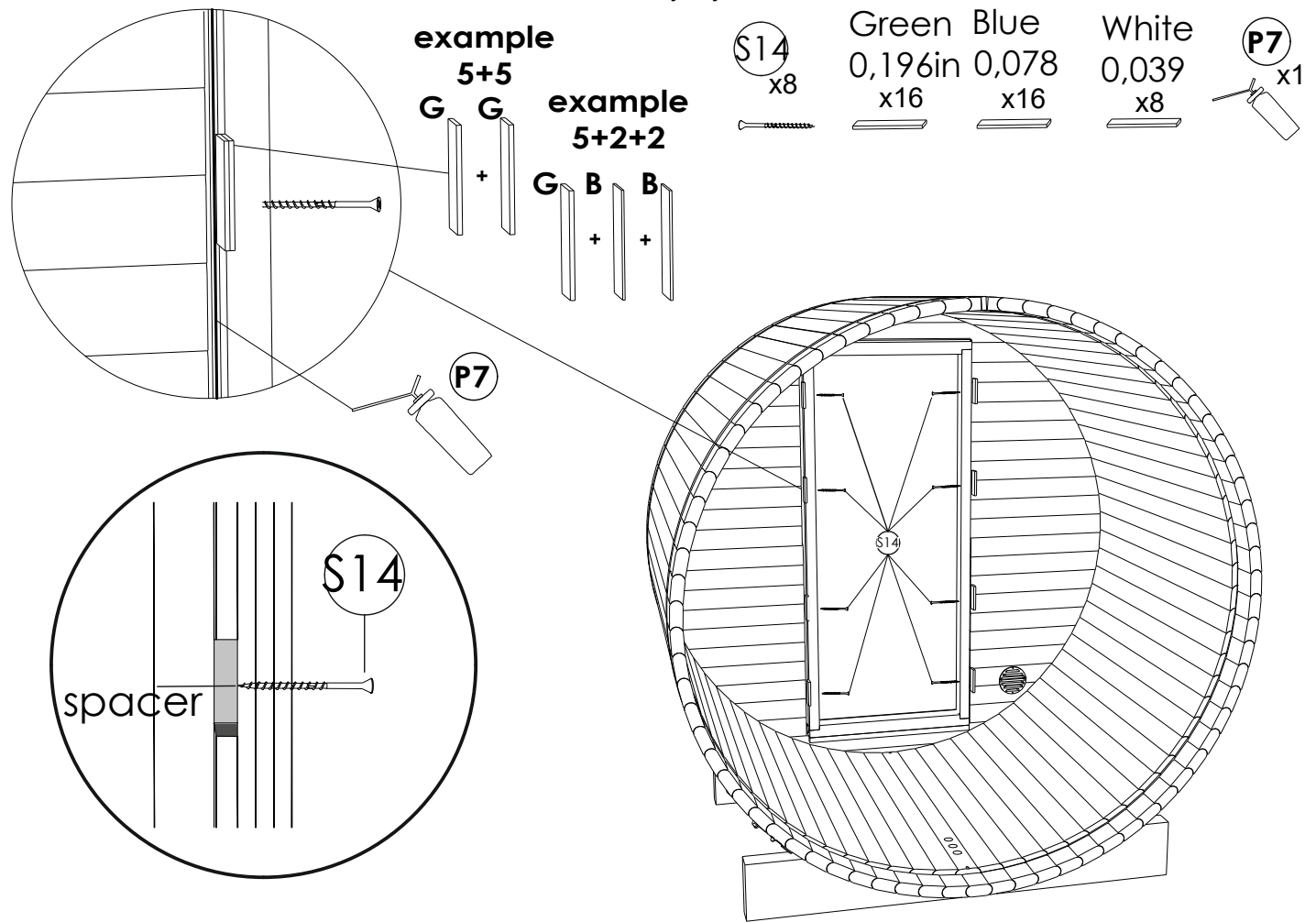


STEP 14: Install the doors (F2). Put the doors on threshold and lay in frame about in the middle. Fix doors with clamps or another person should hold the door.

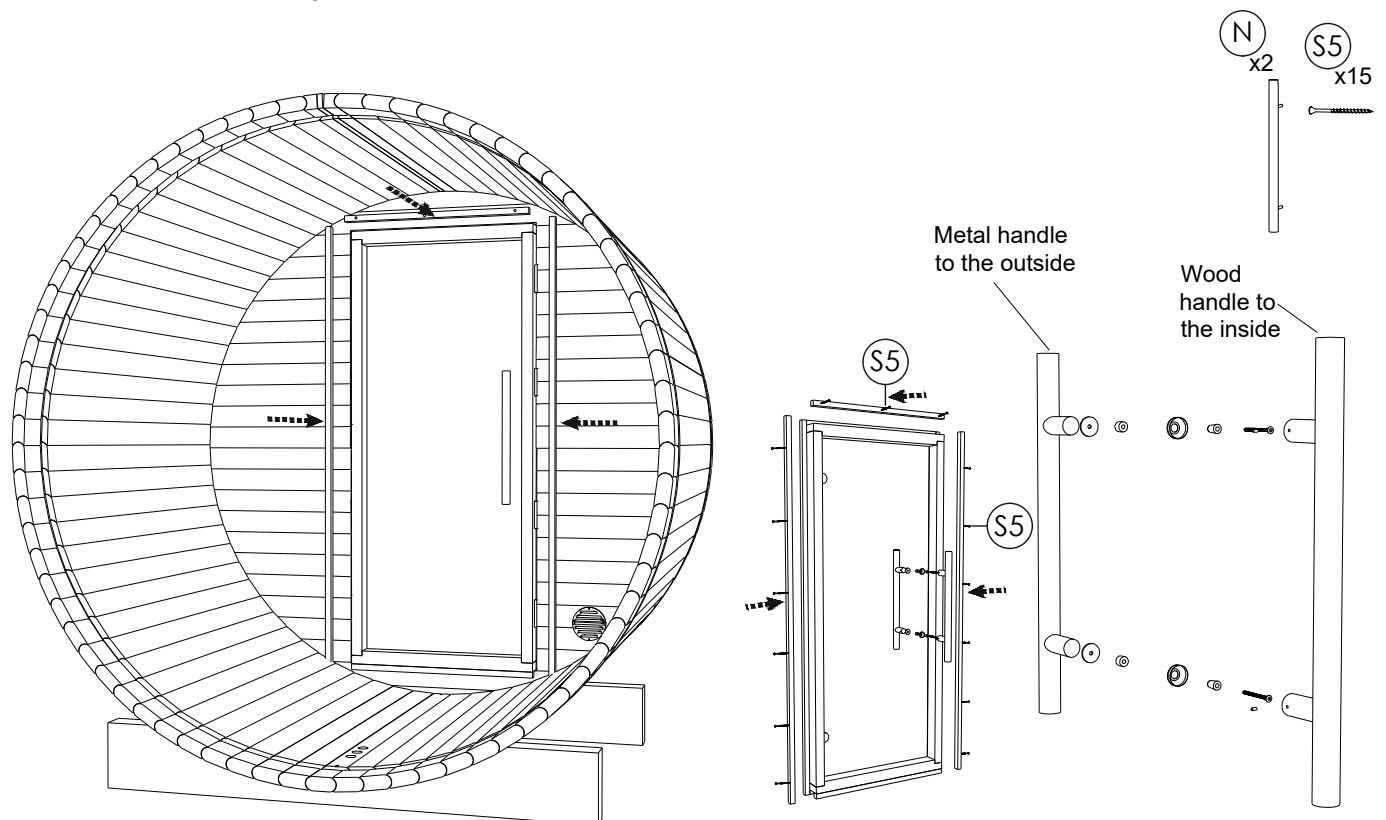
(F2)
x1



STEP 15: Put plastic spacers in the gap between the door box and the front panel where the screws go. Combine spacers for best width. First, fix one side of the door box with screws 5x80 (S14) through spacers. Then put spacers in other side. Combine spacers for necessary width. Spacers must fit tightly, they can't slip down before door is fixed with screws. Use screws 5x80 (S14) to fix doors. Check door box, both sides should be straight, they must not be bent inwards or outwards. Use foam around door box. Don't clean up the foam until it's dried out. The excess amount will come off easily if you don't touch it while it's wet.



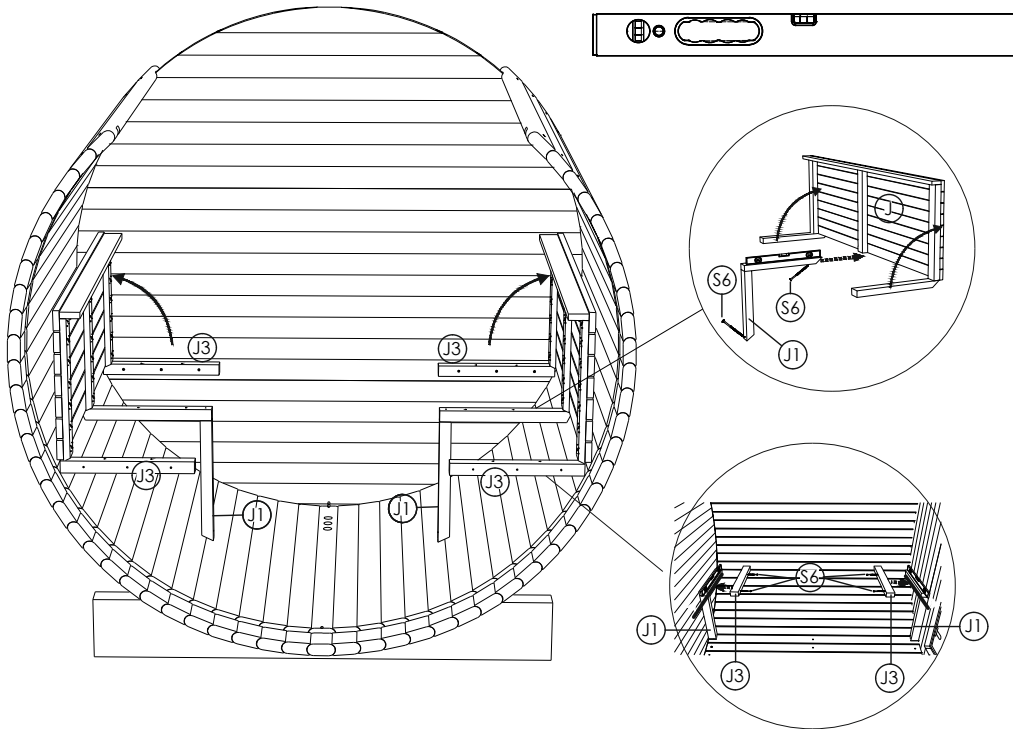
STEP 16: Fix door moldings to both sides and on top of the door with S5 screws 4x50ss.



STEP 17: To install wall mounts (J3) use interior supporting leg (J1). Put it on the sauna wall in level, mark a line where wall mounts will stand. Using screw 5.0x70 SS (S6) fix wall mounts (J3) on the marked lines. Install interior supporting leg (J1) in the center of bench (J). Stand bench on side wall mounts. Place J1 in the center and check the level. Using screw 5.0 x 70 SS (S6) fix bench leg to the wall and floor.

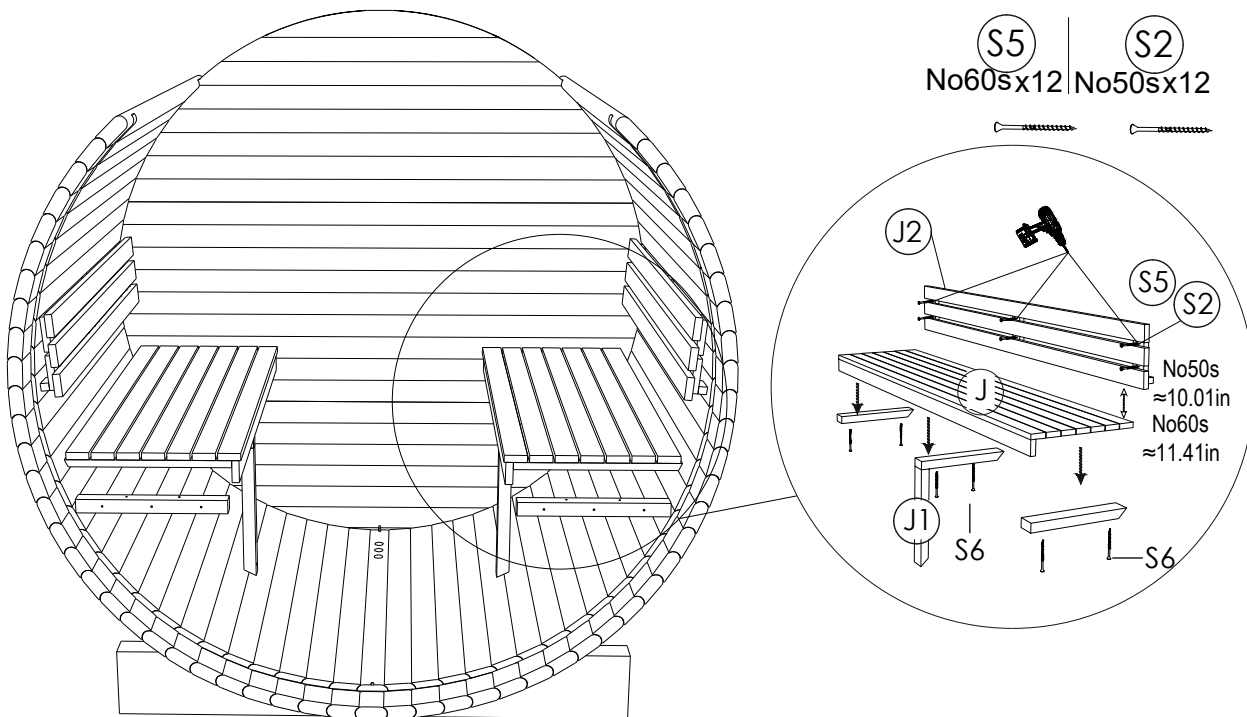
NB! use a level

(S6)
x12

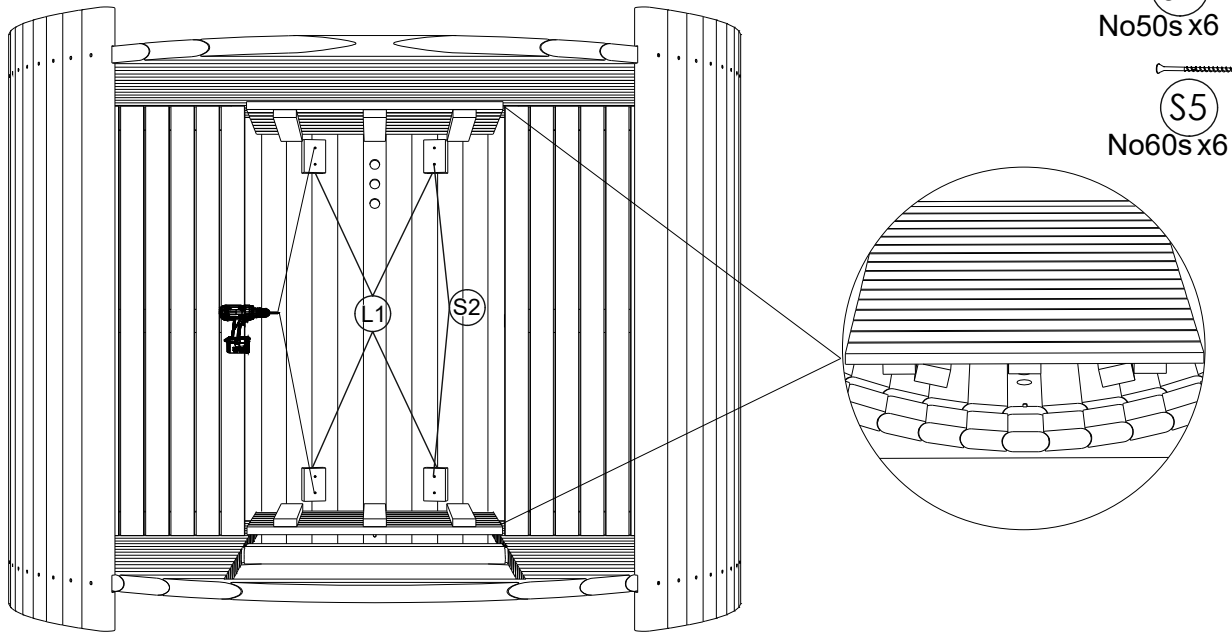


STEP 18: Pre-drill holes before fix backrest with screws, install backrests (J2) using screw 4.0 x 70 SS (S2). Fix sauna bench (J) to wall mounts and support leg using 5 x70 SS (S6) screws.

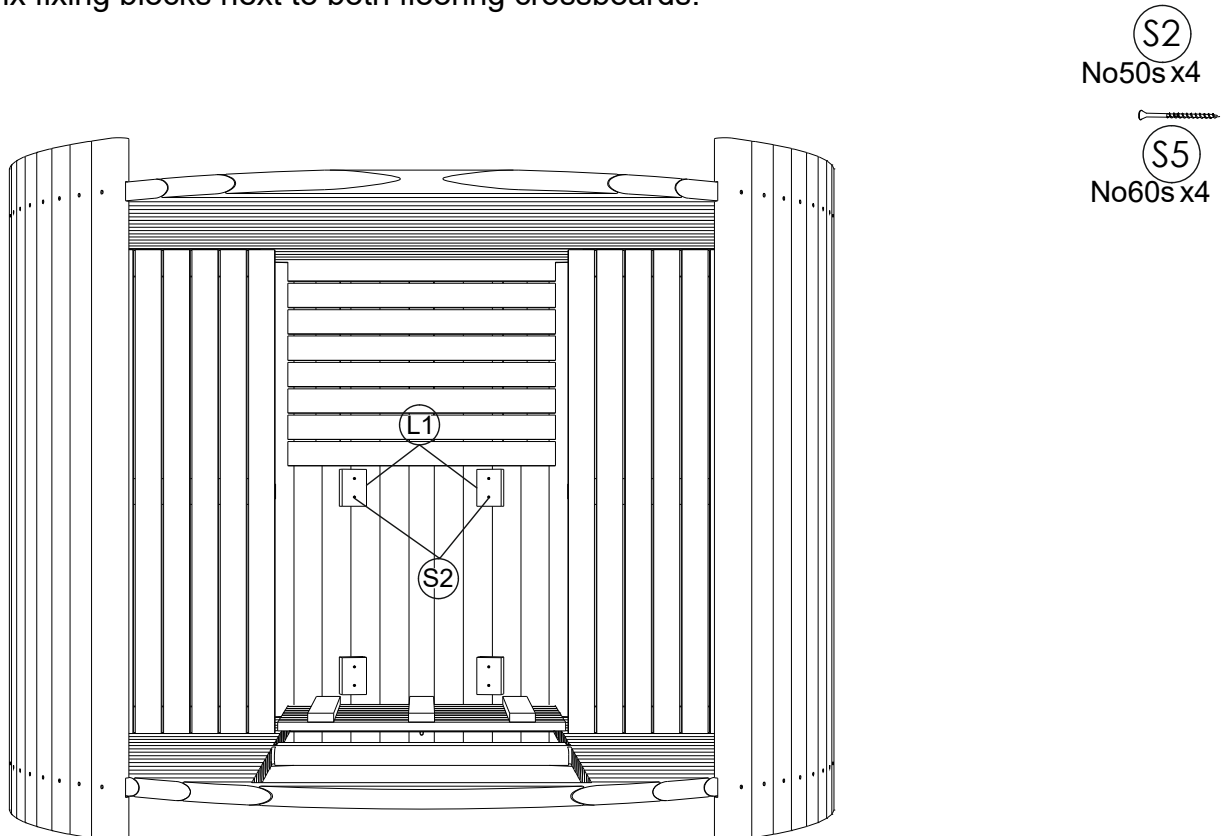
(S5) | (S2) | (S6)
No60s x12 | No50s x12 | x12



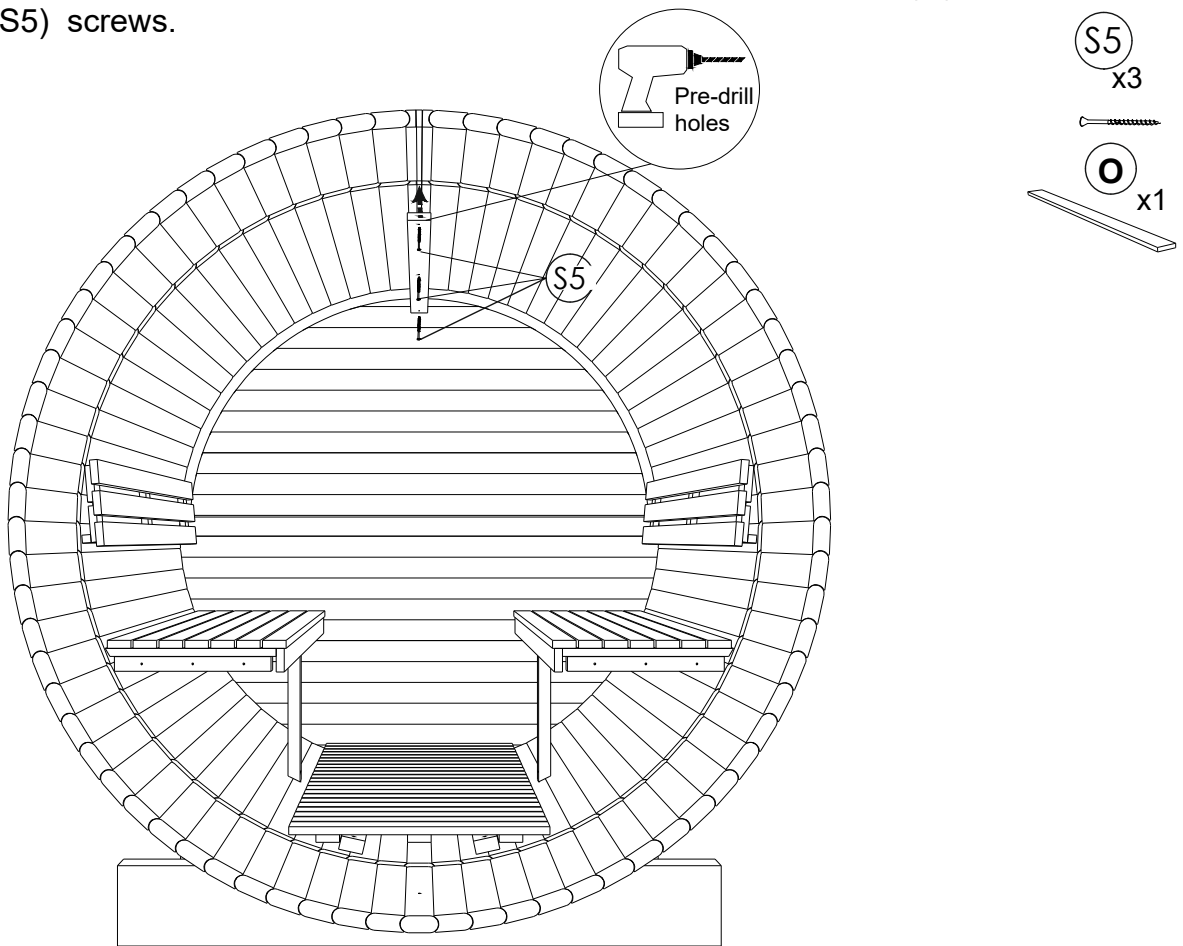
STEP 19: Place floor duckboards (L) to the both sides upwards and place fixing blocks next to the flooring cross boards. Pre-drill holes before fix with screws, install fixing blocks (L1) using screw 4.0 x 70 SS (S2)R190 or 4x50SS (S5)R225.



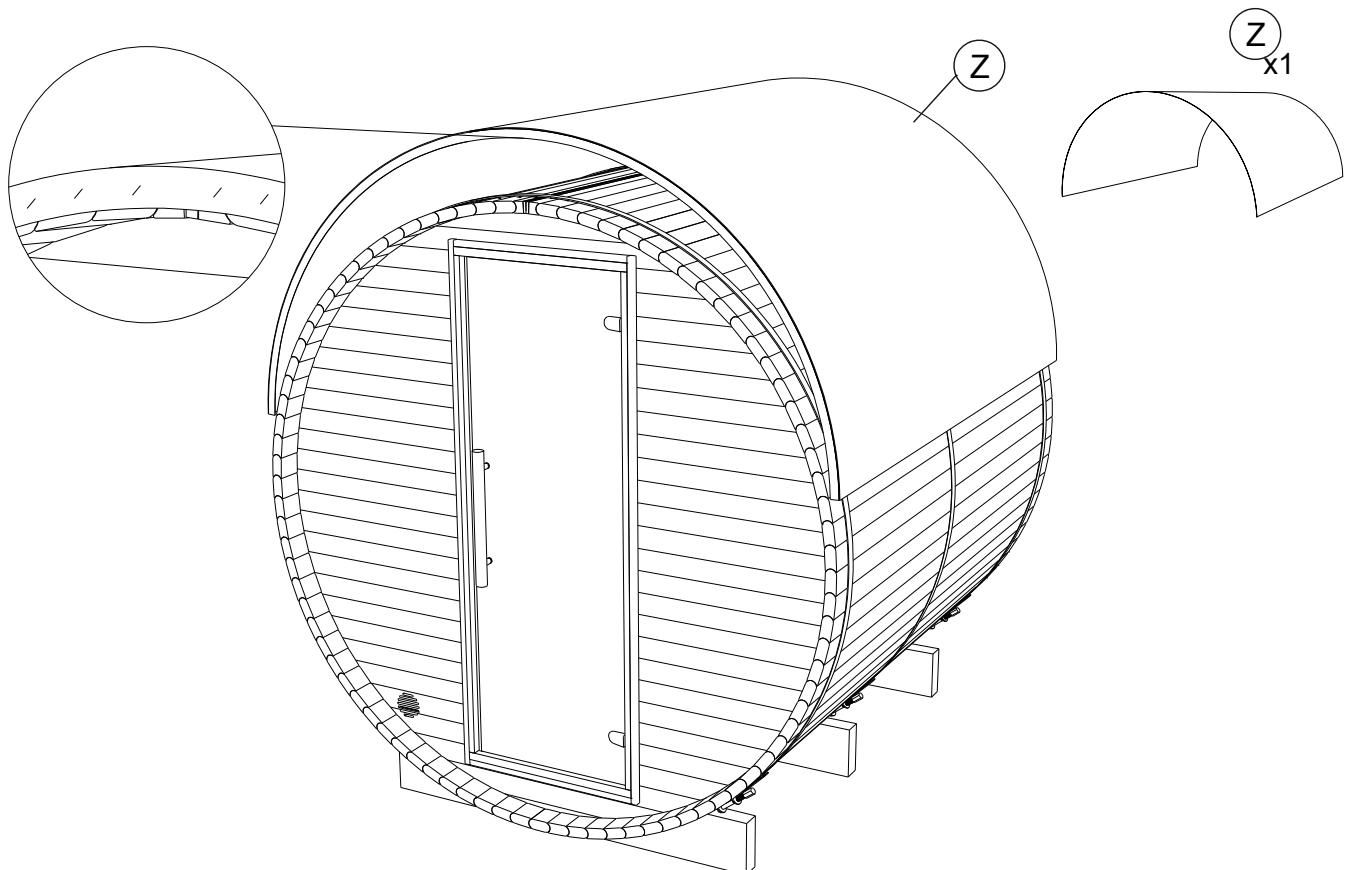
STEP 20: Pre-drill holes before fix with screws, install fixing blocks (L1) under floor duckboard using screw 4.0 x 70 SS (S2) R190 or 4x50SS (S5) R225. Place floor duckboards (L) on the floor and fix fixing blocks next to both flooring crossboards.



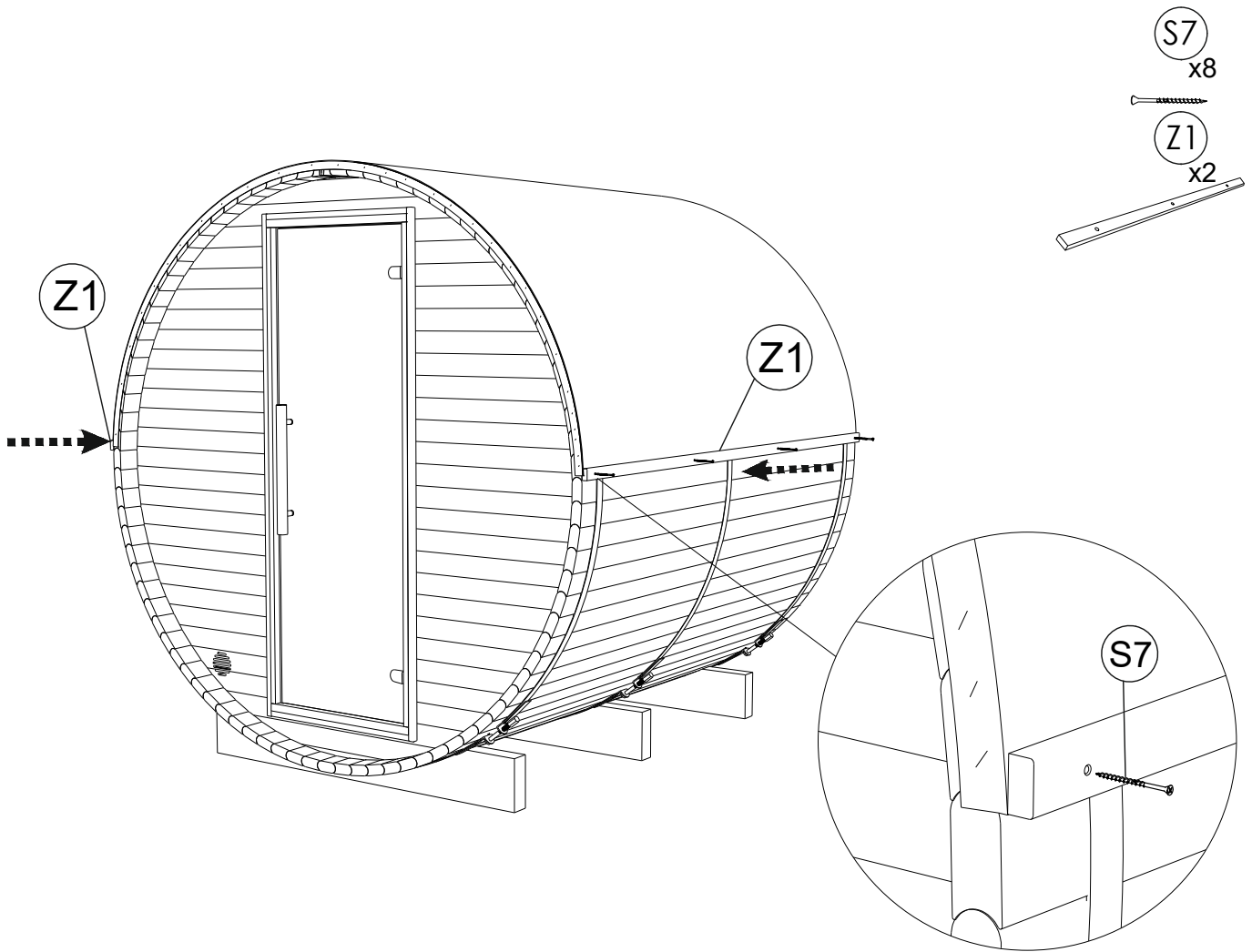
STEP 21: Pre-drill holes before fix stave with screws, install interior roof trim (O) in sauna with 4.0 x 50 SS (S5) screws.



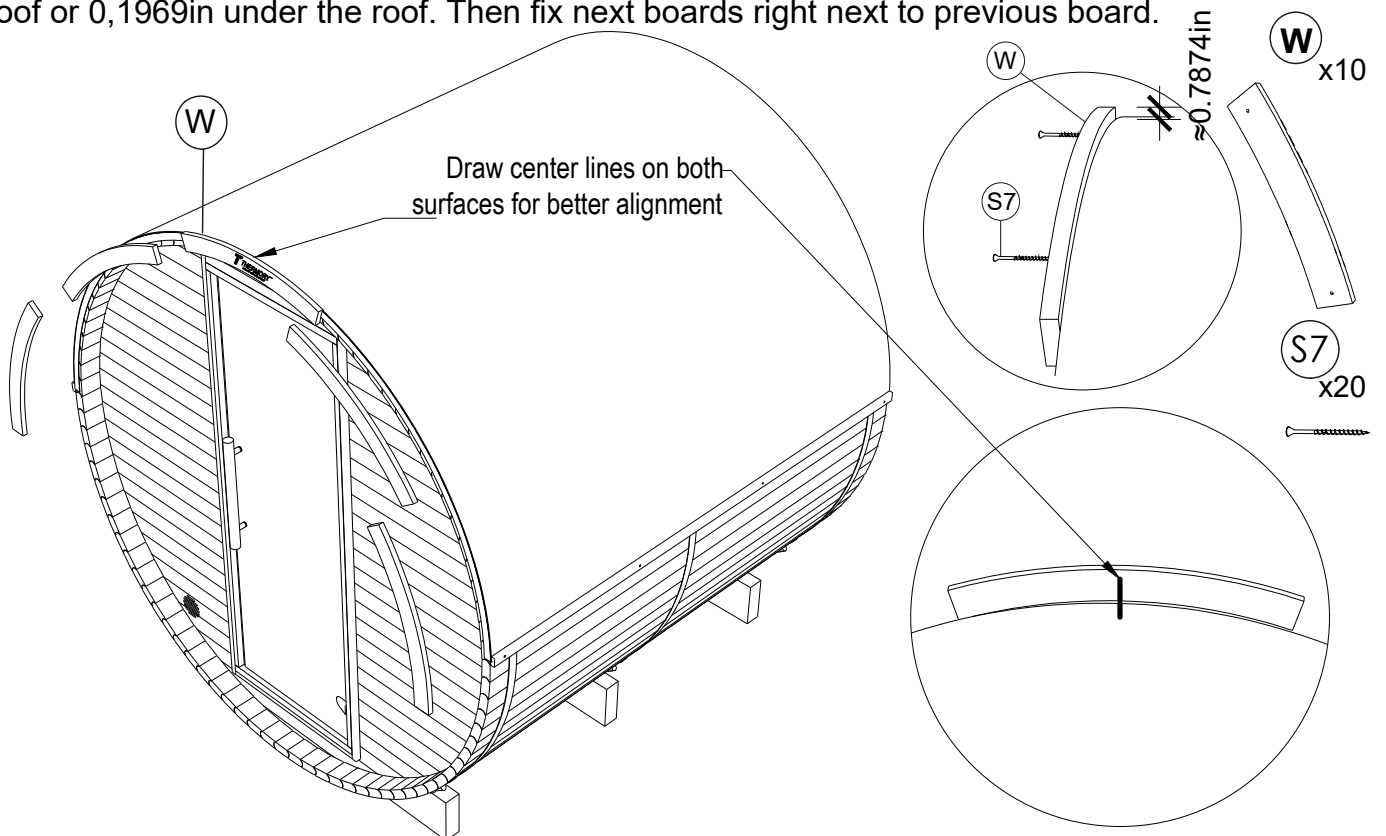
STEP 22: Place waterproof PVC roof cover . Align roof cover equally to both sides. Roof cover goes about 3cm over each sides edge. Staple roof cover on the saunas edge.



STEP 23: Fix with wooden slats (Z1) with screws 4.2x55 (S7) on the rain jacket bottom. The number of screws may vary depending on the sauna model.



STEP 24: Install front and rear decorative roof finishing boards (W), fixing by screws 4.2x55(S7). Start with a center board placing it at the top of the middle of the sauna, approx. 0,7874in above roof or 0,1969in under the roof. Then fix next boards right next to previous board.



STEP 25: Repeat step 24 to apply roof finishing boards at the back of the sauna roof edge.

