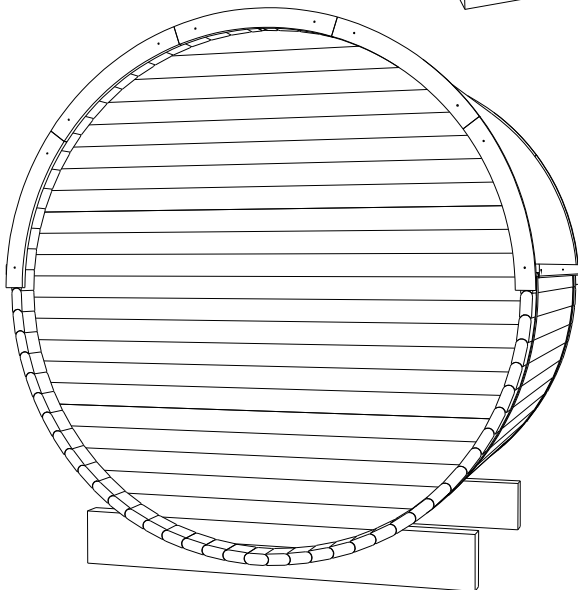
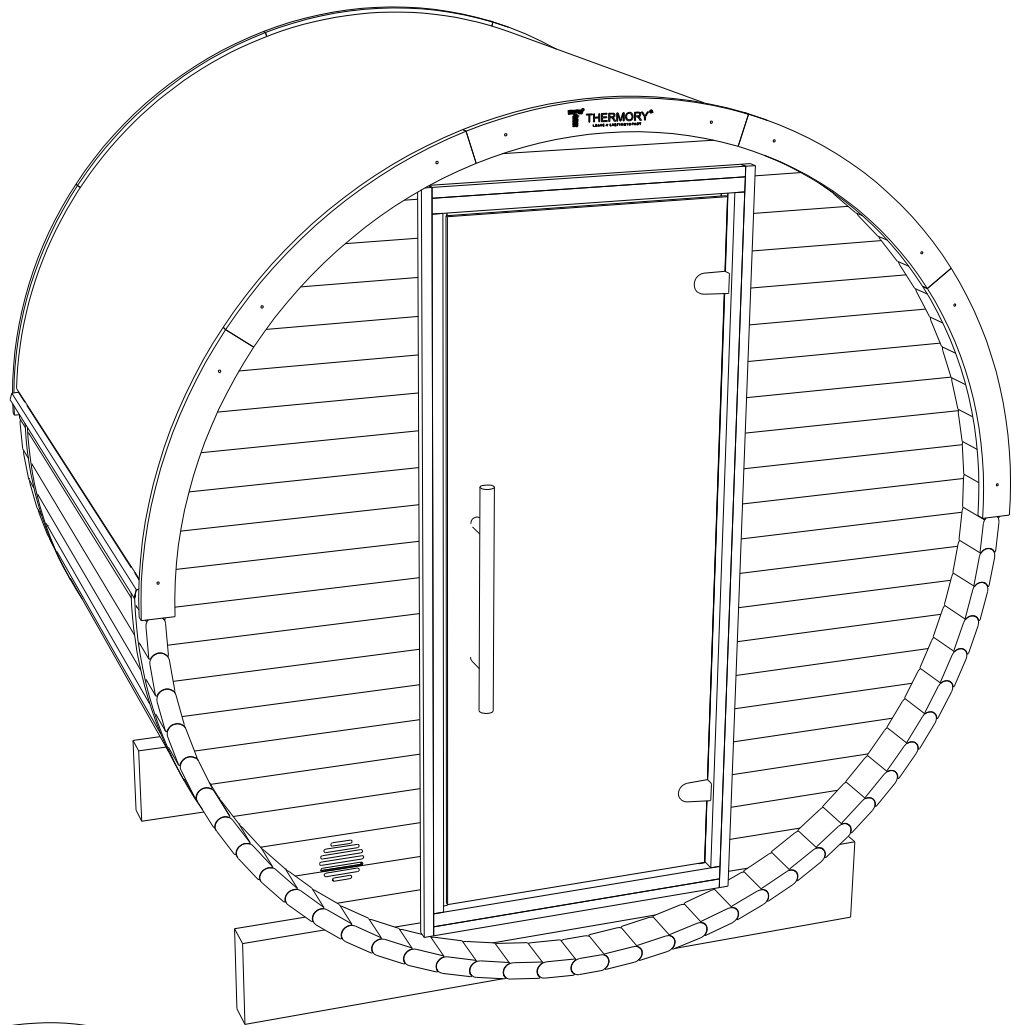
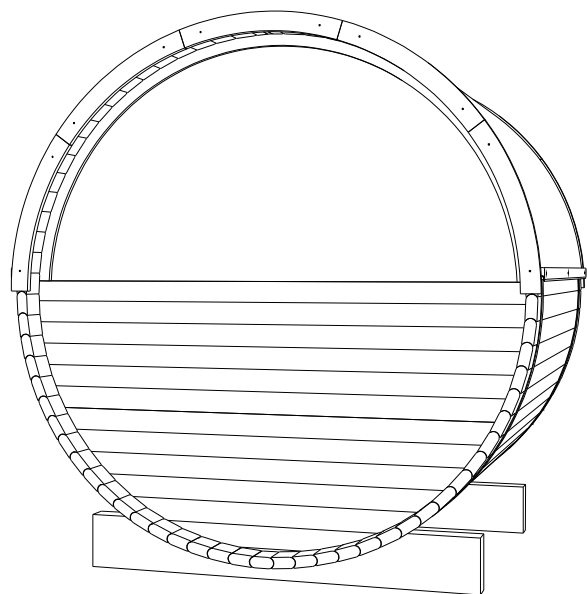


BARREL SAUNA

ASSEMBLY INSTRUCTIONS



Model: No54

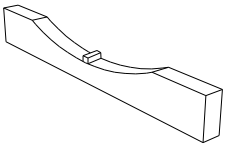


Model: No55

Note: Please read manual before construction

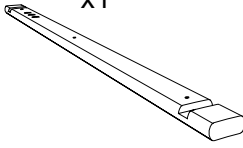
PART LIST

A x2



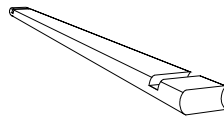
cradle

B x1



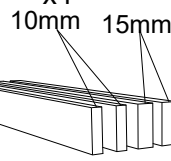
center stave

C x76



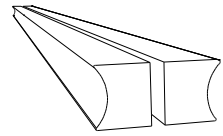
body stave

H1 x4



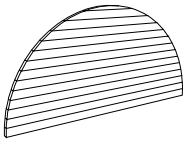
different thickness filling peaces

H x2



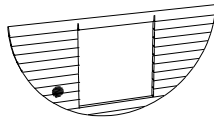
final H type stave at the top

V3 x1



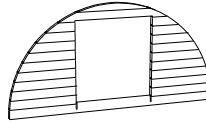
upper rear panel

F x1



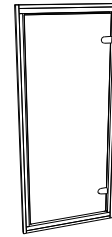
front panel bottom

F1 x1



front panel top

F2 x1



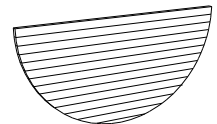
door and door moldings

x1 x1



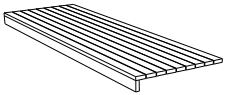
x1

V x1



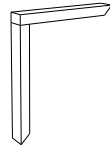
bottom rear panel

J x2



sauna bench

J1 x2



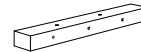
supporting leg

J2 x2



backrest

J3 x4



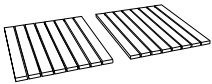
wall mount

N1 x2



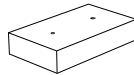
door handle

L x2



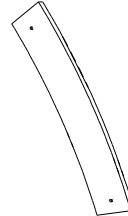
sauna floor

L1 x6



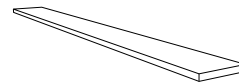
fixing block for sauna floor

W x10



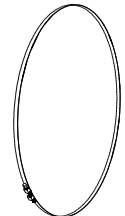
decorative roof finishing board

O x1



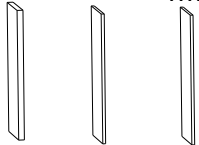
roof board

I x2



metal band

5mm 2mm 1mm



door box spacers

S1 x30



screw 5.0x100 SS

S10 x135



screw 4.0x60

S5 x25



screw 4.0x50 SS

S4 x11



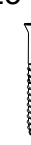
screw 5.0x120

S6 x30



screw 5.0x70 SS

S7 x25



screw 4.2x55 brown

S2 x25

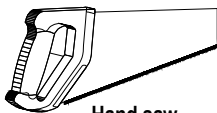


screw 4.0x70 SS

S14 x10

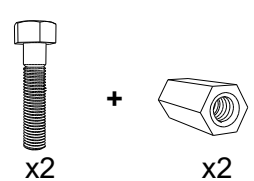
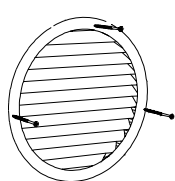
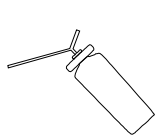
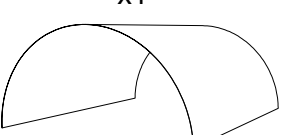
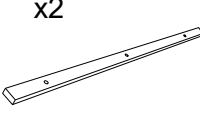


screw 5.0x80

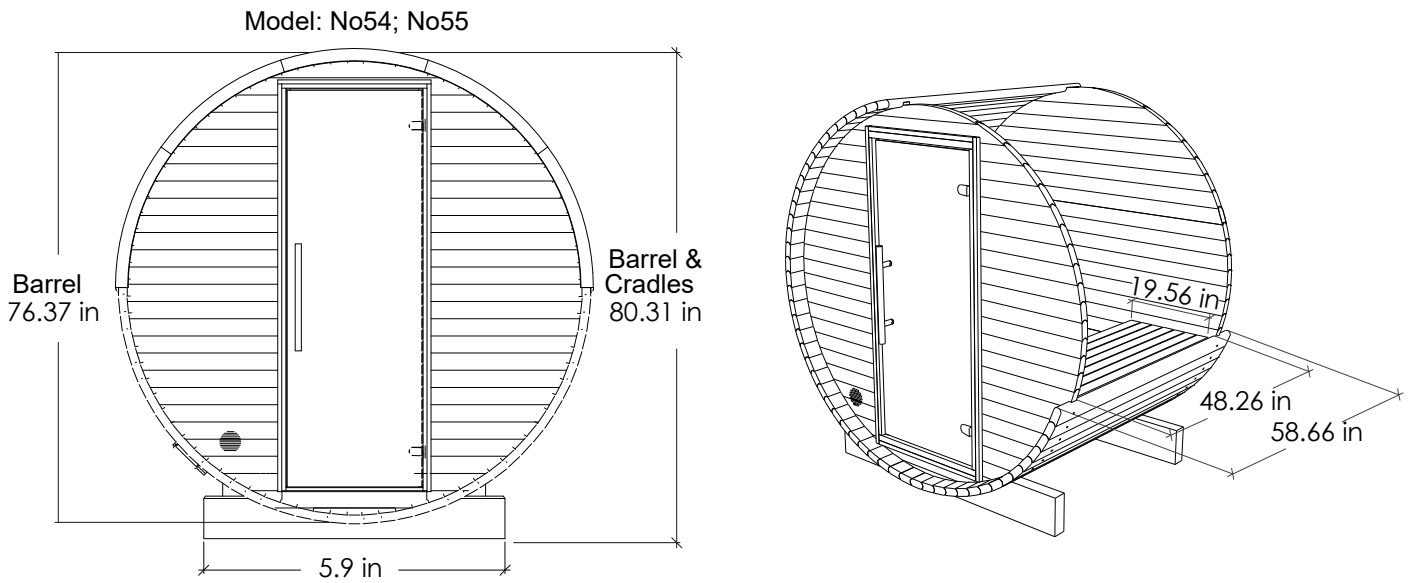


Hand saw

PART LIST

(S9)  x2	(Y1)  x1	(P7)  	(Z)  x1
bolt $\varnothing 12 \times 140$	hex nut M12 (SW19)	flat washer	ventilation grill
		Construction foam	Waterproof roof cover
(Z1) x2  Slat for roof cover			

Barrel Dimensions



RECOMMENDATION



2 person recommended

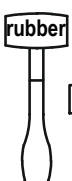


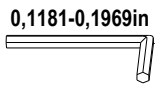
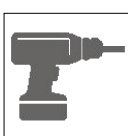



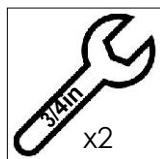
Before you begin, be sure the sauna will fit in your chosen location.

Be sure the site is level and free of standing water after rainfall.

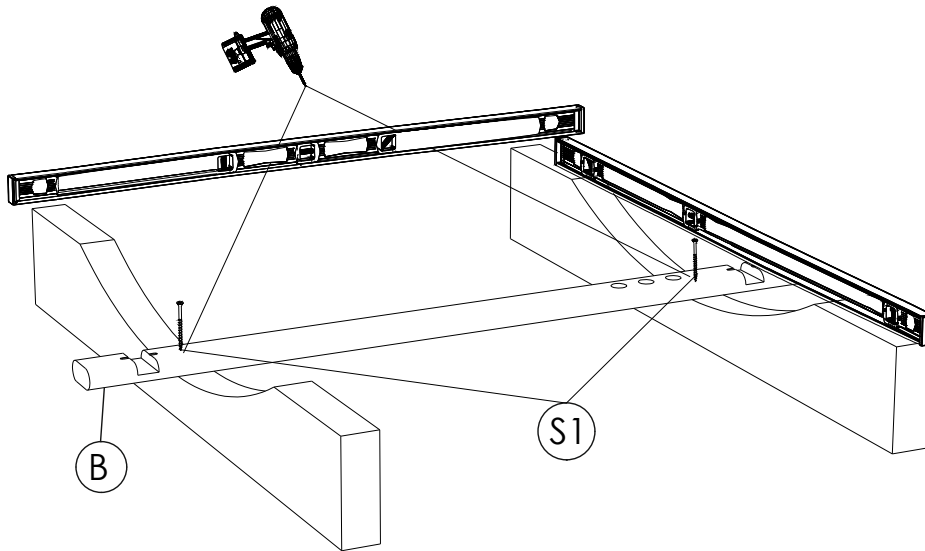
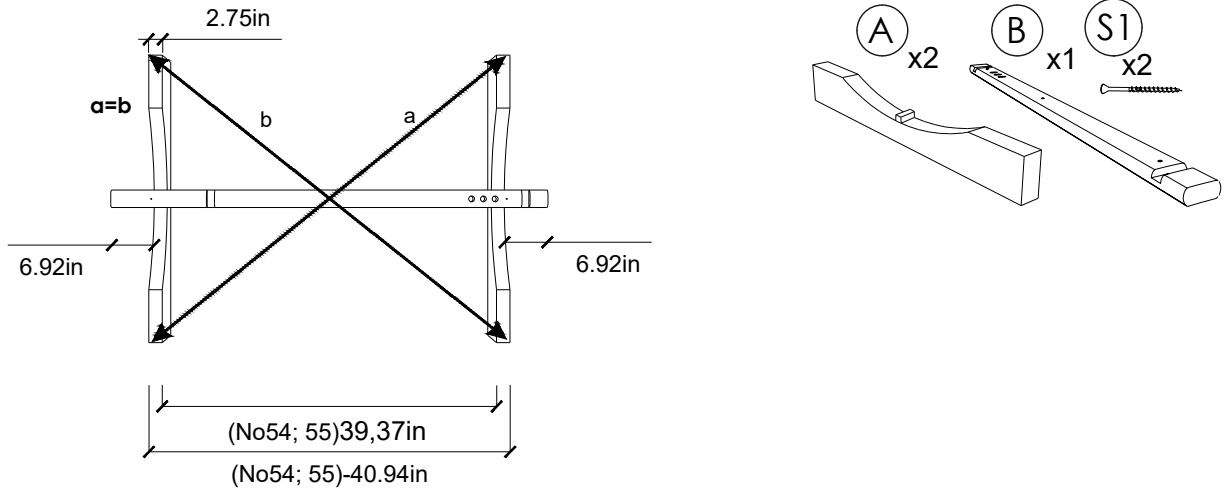
Concrete, pavers or crushed stone is preferred.

Check parts before construction.

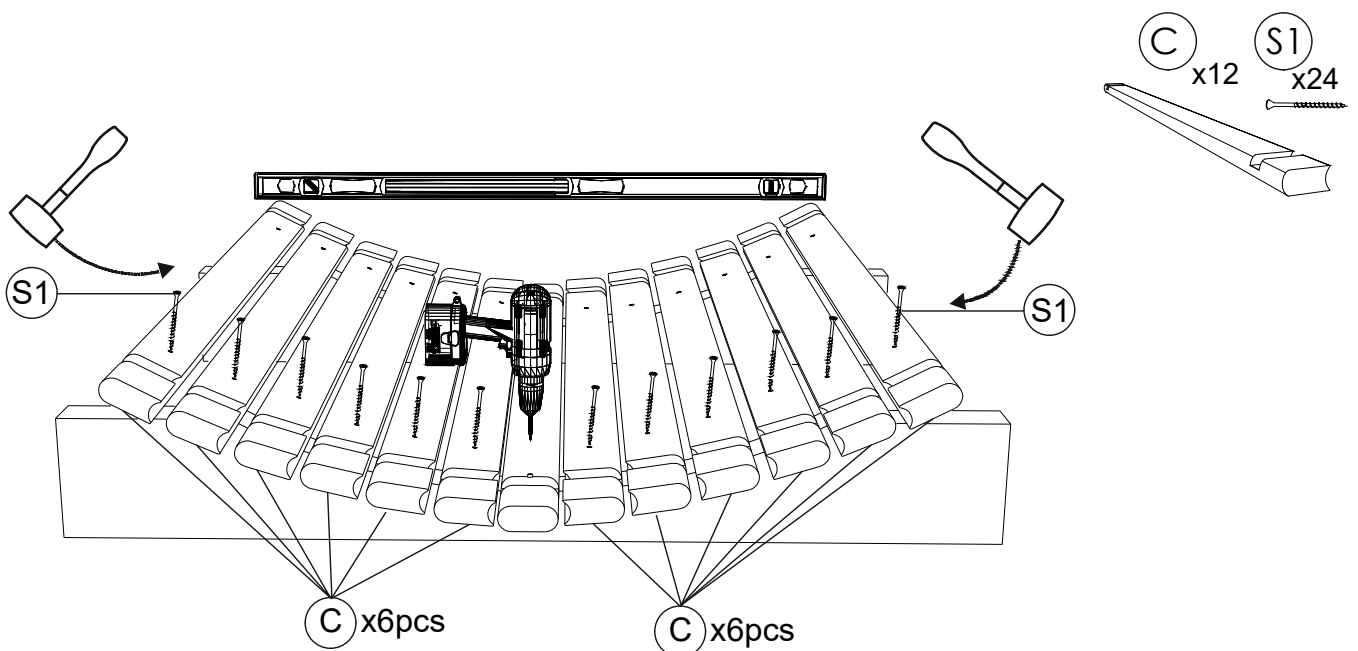
TOOLS REQUIRED

 rubber	 17,71-78,74in	 $\varnothing 0,1575-0.3937$ in	 0,1181-0,1969in
			
 3/4in x2			

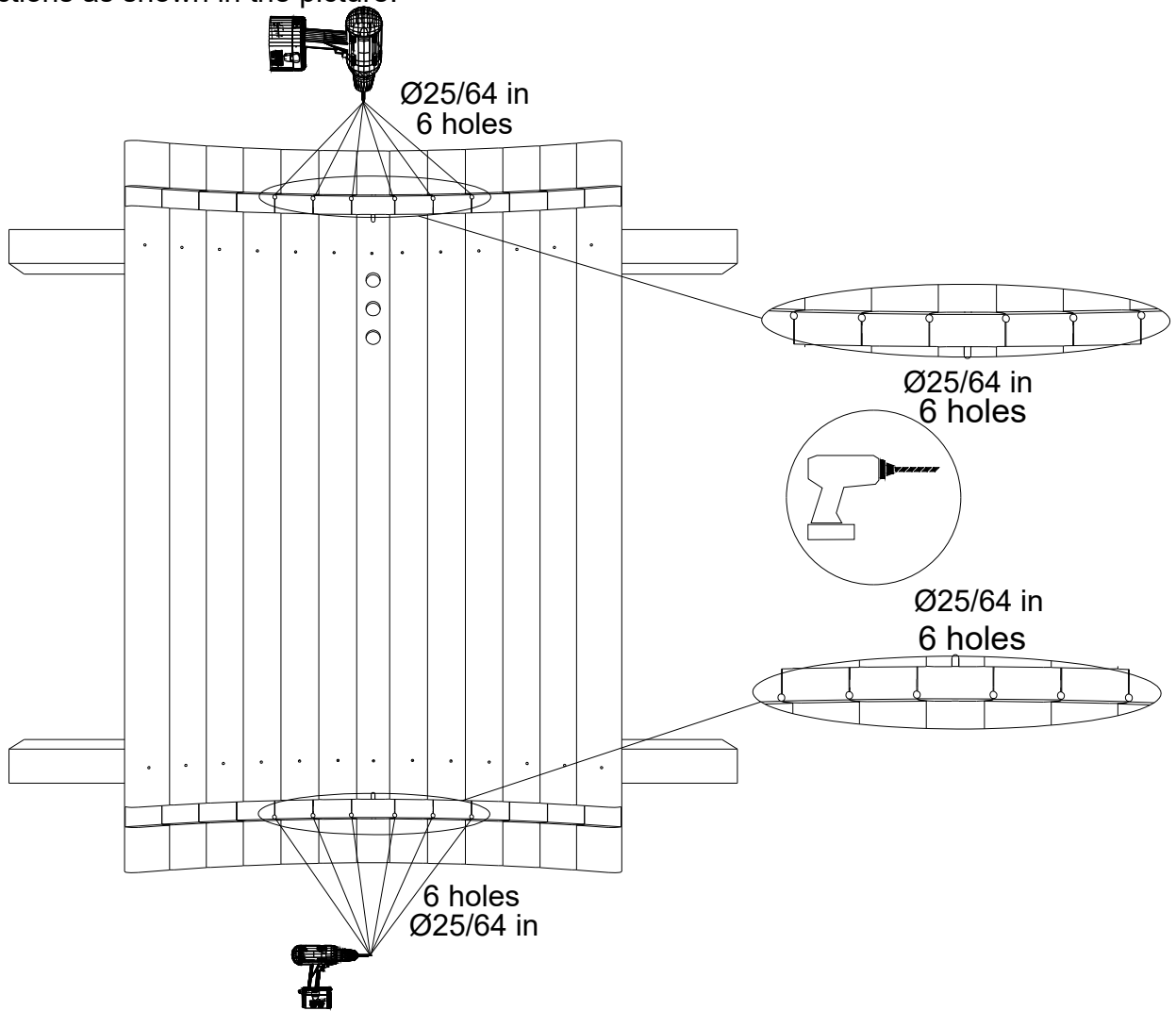
STEP 1: Be sure cradles remain level. Place the support cradles (A) on level site. Carefully level for better stability. Place the center stave (B) on wooden dowels embedded in outer support cradles (A). Fix the center stave (B) with 5.0x100 SS(S1). Pre-drill holes before fix staves with screws. Measure support cradles (A) diagonally from corner to corner. Measurements “a” and “b” should be equal to ensure the cradles are square.



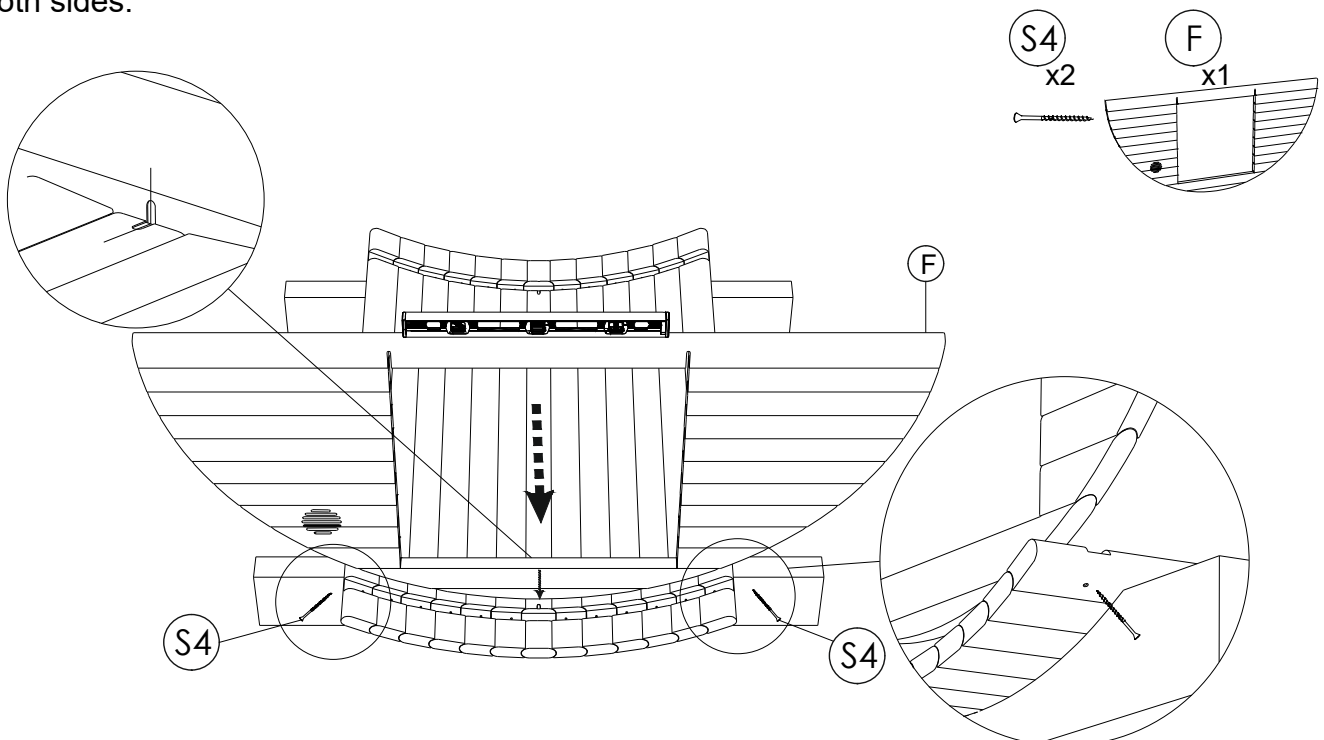
STEP 2: Pre-drill holes before fix staves with screws. Place 6 sauna body staves (C) to each side of the center stave (B) and fix with screws 5.0x100 SS (S1). Be sure to align the panel groove on every next body stave, to do that use rubber hammer.



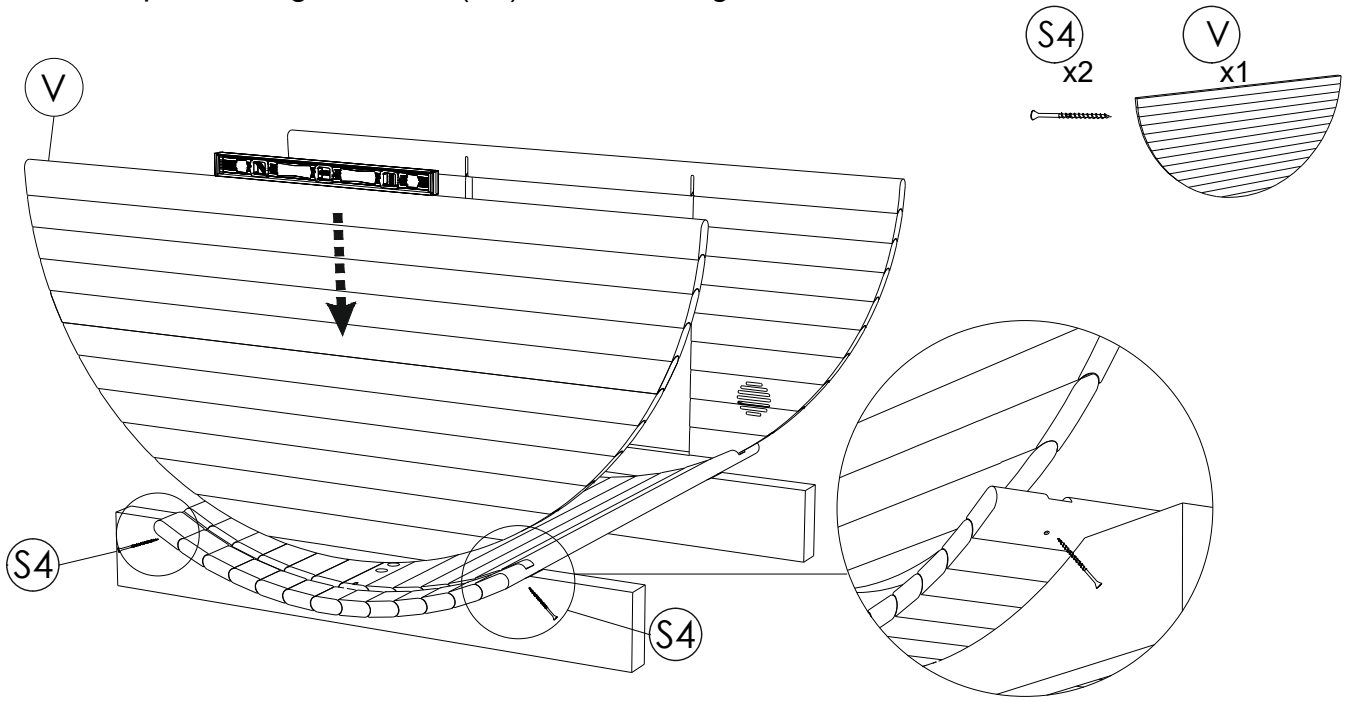
STEP3: Drill six 25/64 in holes in front and back wall groove to the out-side in board connections as shown in the picture.



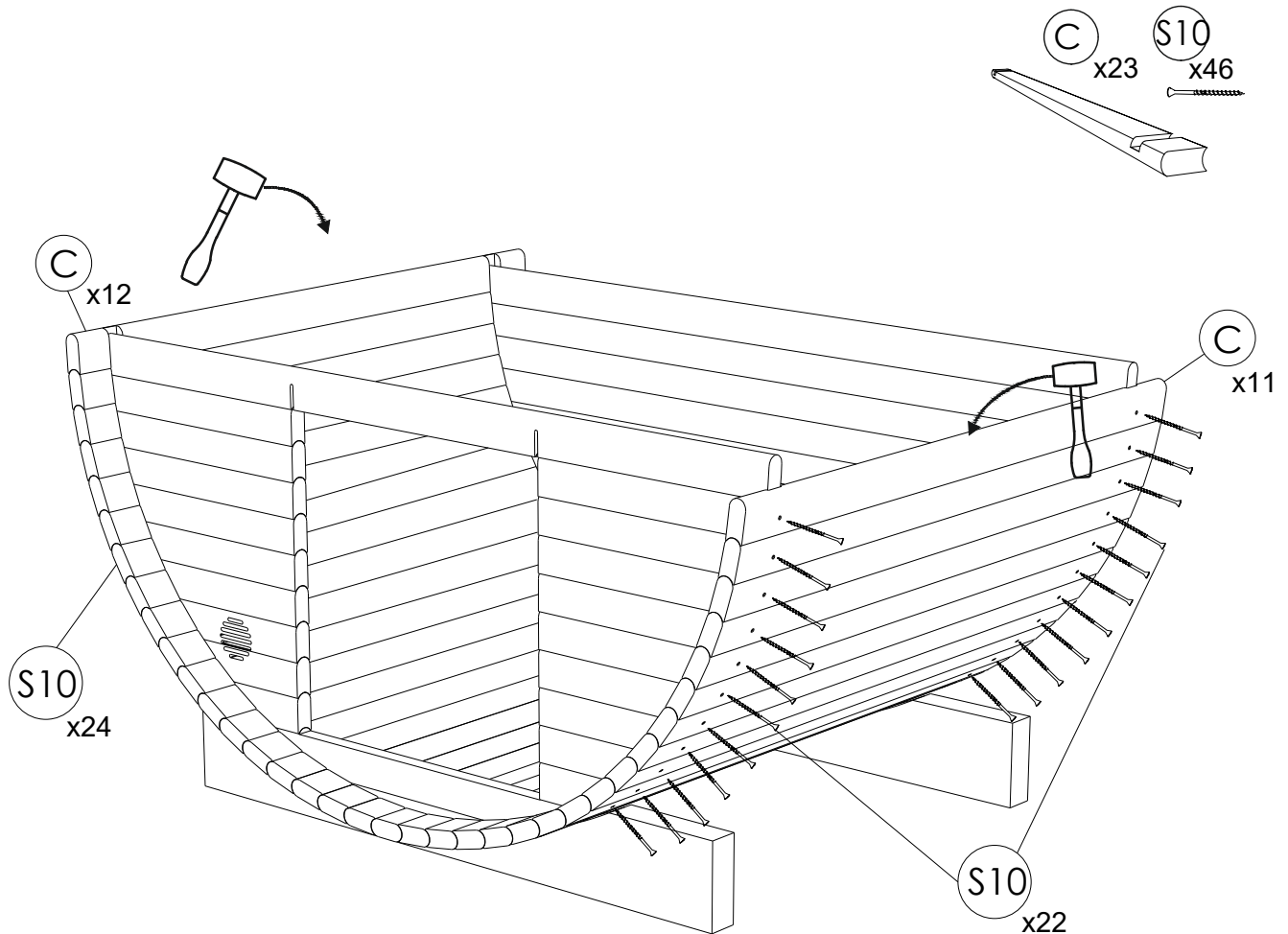
STEP 4: Place front bottom panel (F) in stave groove, be sure panel is centered, leveled, completely seated. Fix panel using 5.0 x 120 (S4) screws through last floor stave on both sides.



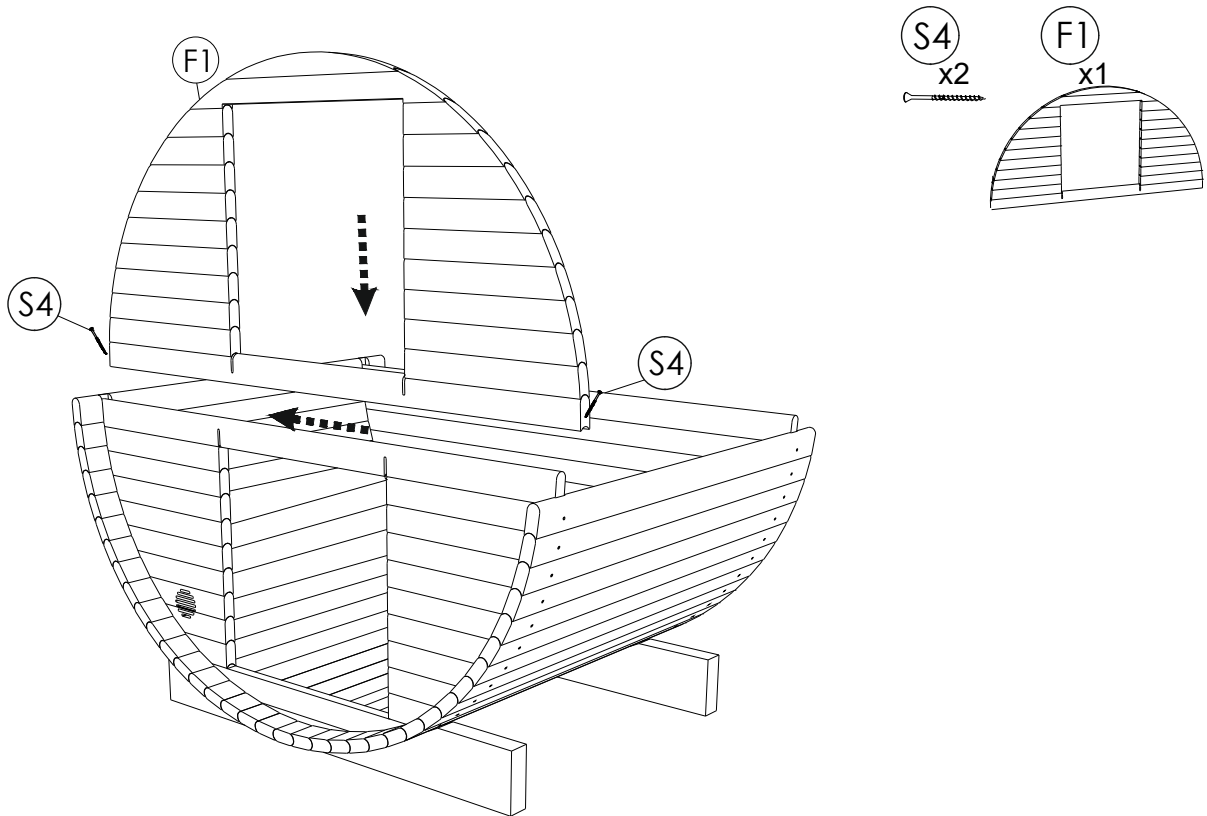
STEP 5: Place rear panel (V) in stave groove, be sure panel is centered, leveled, completely seated. Fix panel using 5.0 x 120 (S4) screws through last floor stave on both sides.



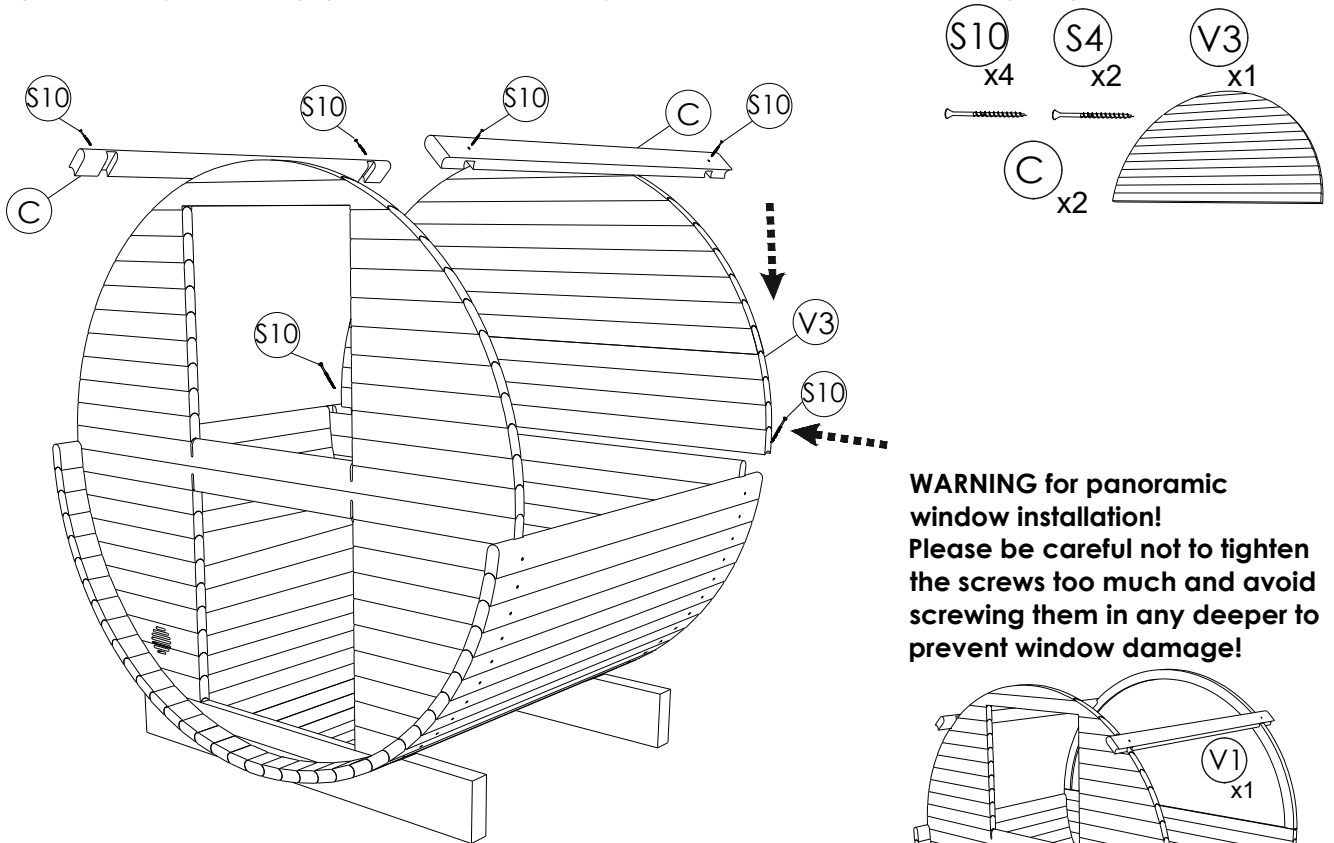
STEP 6: Continue placing body staves (C) tightly on both sides of the sauna using rubber mallet, and fixing body staves with screws 4.0x60(S10) . Fix one stave higher on left side than at right.



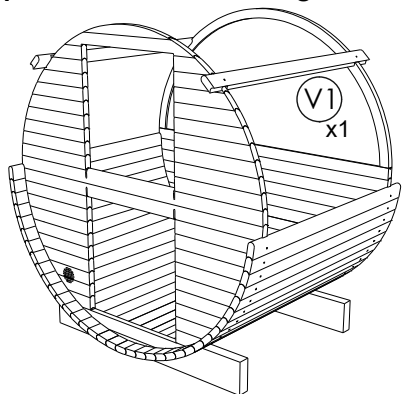
STEP 7: Place front top panel (F1) on front bottom panel (F), be sure panel is centered, leveled, completely seated. Fix panel using 5.0 x 120 (S4) screws on both sides.



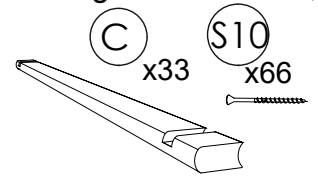
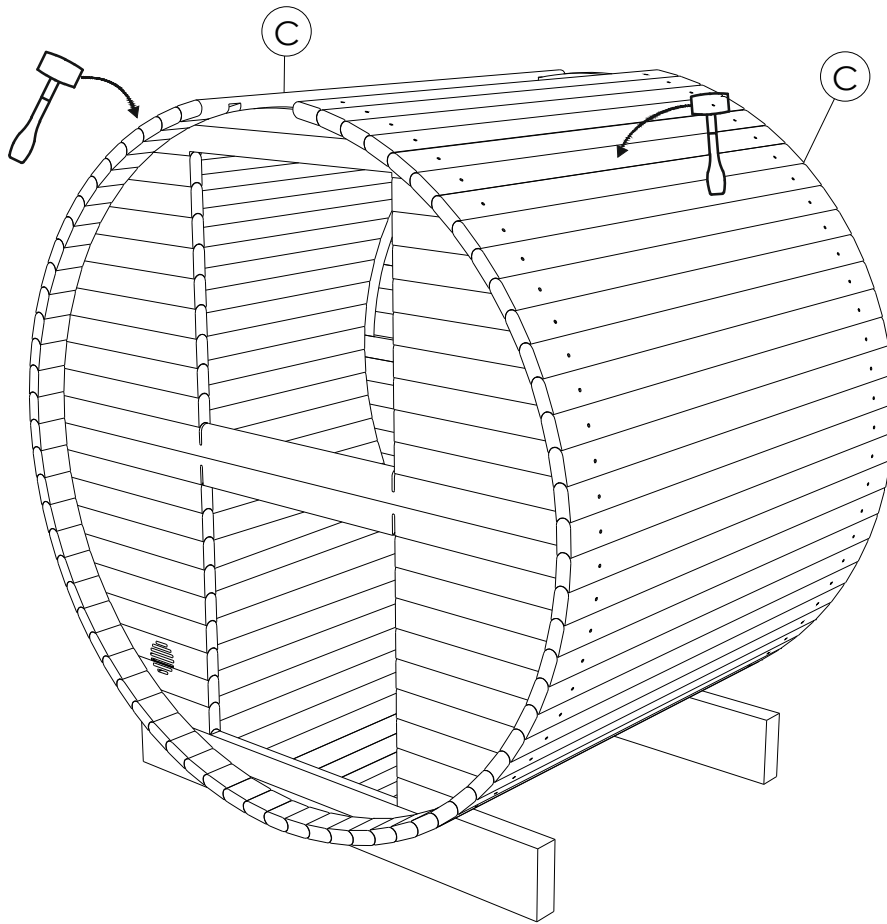
STEP 8: Take the upper rear panel (V3 or V1-panoramic window) and place it on the bottom rear panel (V). Secure it by using 2 screws 5.0 x 120 (S4). Connect the panels (F2; V3) together by placing one body staves (C) both sides where you can reach, with 4.0x60 (S10) screws.



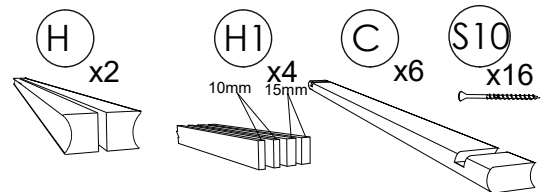
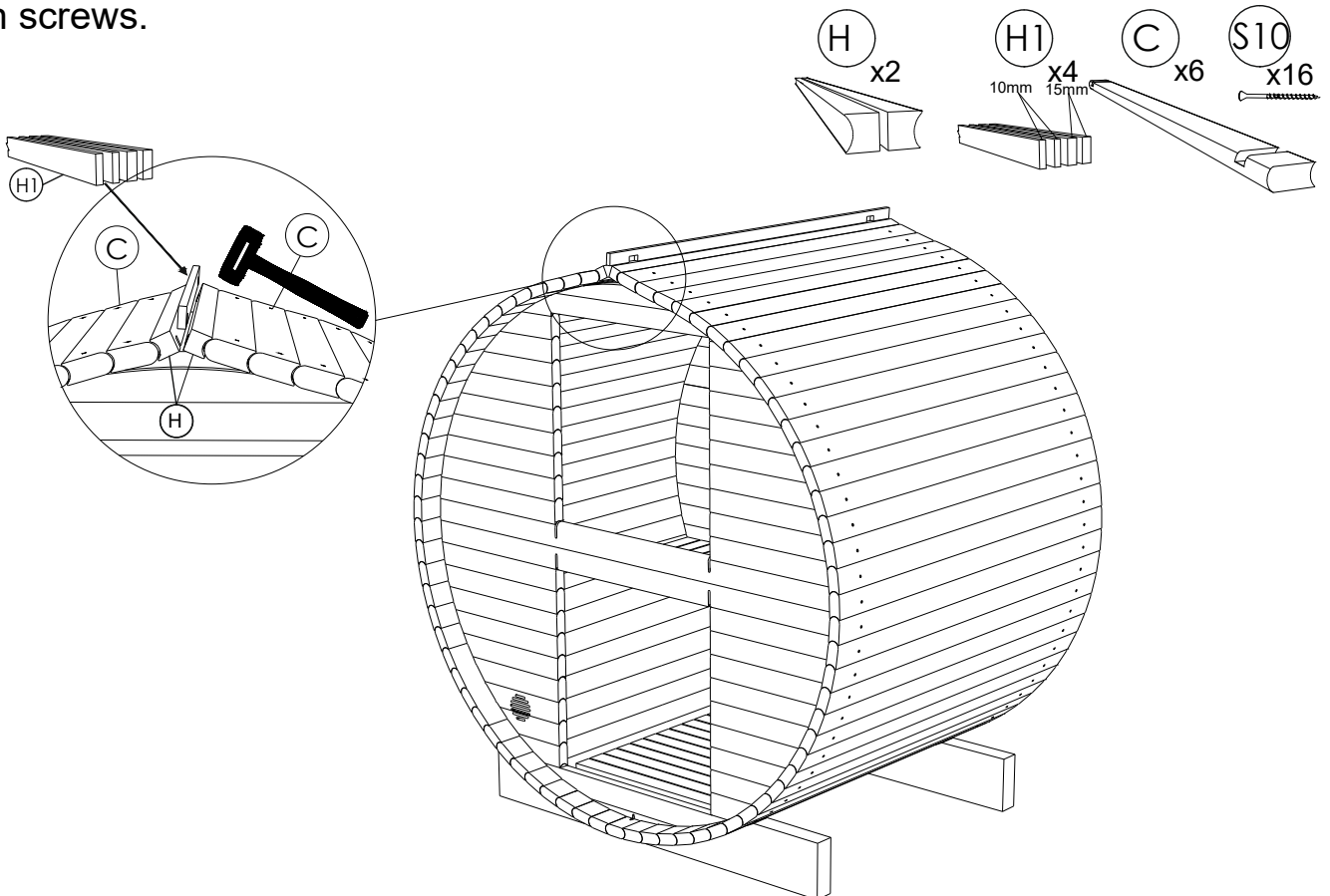
WARNING for panoramic window installation!
Please be careful not to tighten the screws too much and avoid screwing them in any deeper to prevent window damage!



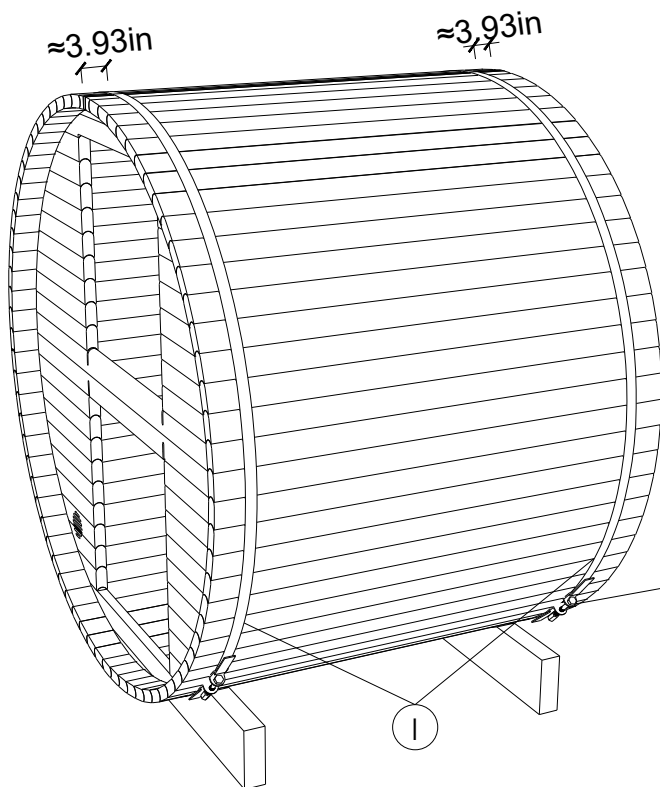
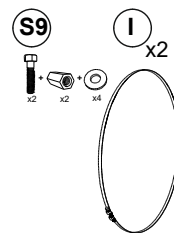
STEP 9: Continue placing body staves (C) tightly on both sides of the sauna using rubber mallet, and fixing body staves with screws 4.0x60(S10).



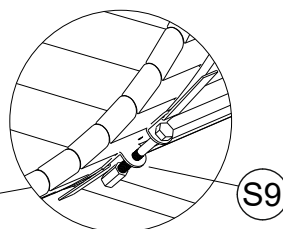
STEP 10: To finish the roof top joint, don't screw about last 3 boards (C) to each side, use roof finishing item (H). Different thickness filling pieces (H1) are provided to completely fill the gap. Once necessary parts are in, fix last boards with screws.



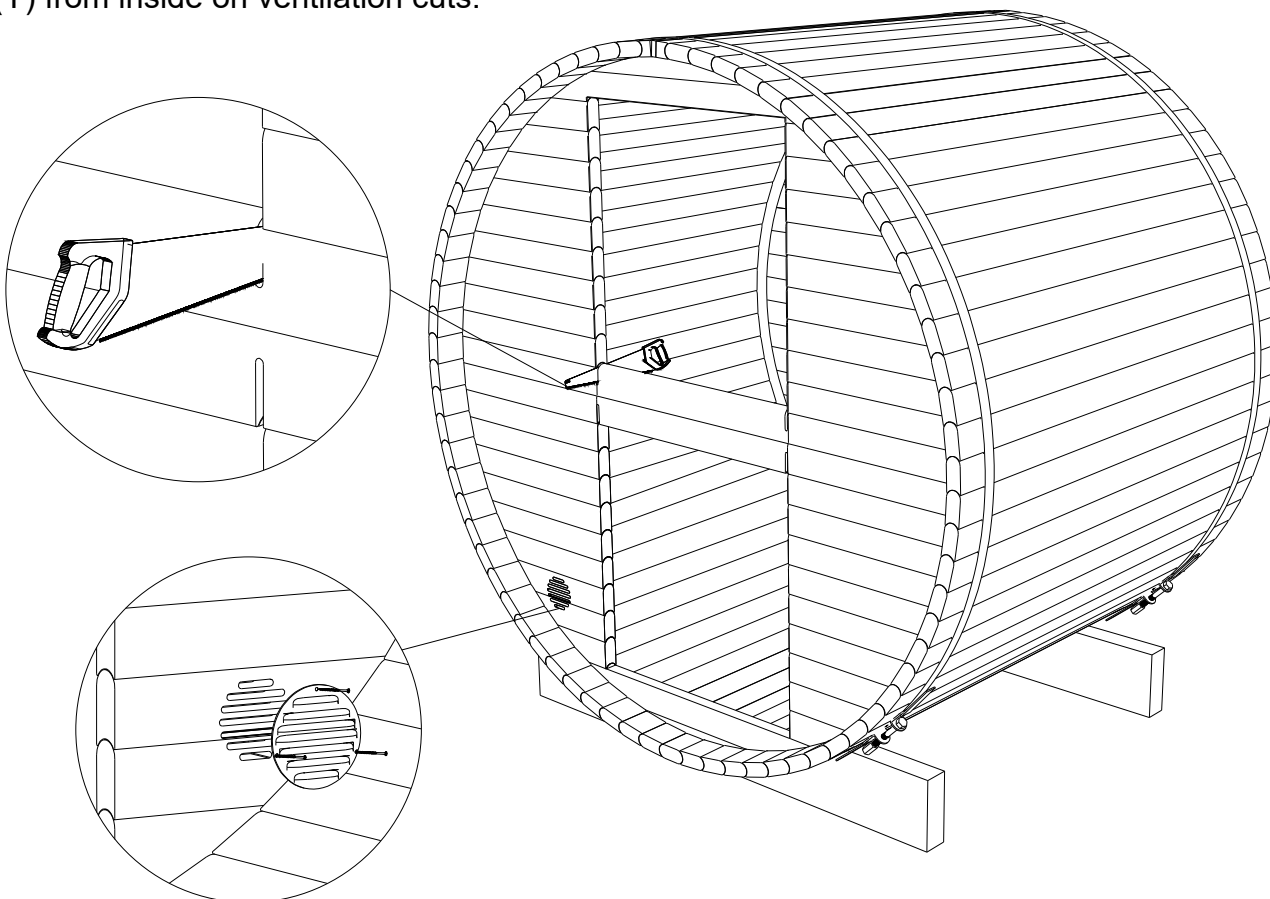
STEP 11: Install steel bands (I) by wrapping bands around the barrel, then connect with bolts and nuts (S9). Place steel bands evenly around the barrel approx $\approx 3.93\text{in}$ from both sides, covering screw heads. No52 and 53 has 3 bands, place middle band evenly from both bands. The bands should be tense, they cant be loosened.



WARNING!
The band tensioner must be placed at the saunas left or right lower corner, near to the sauna leg.
Band must be really tight

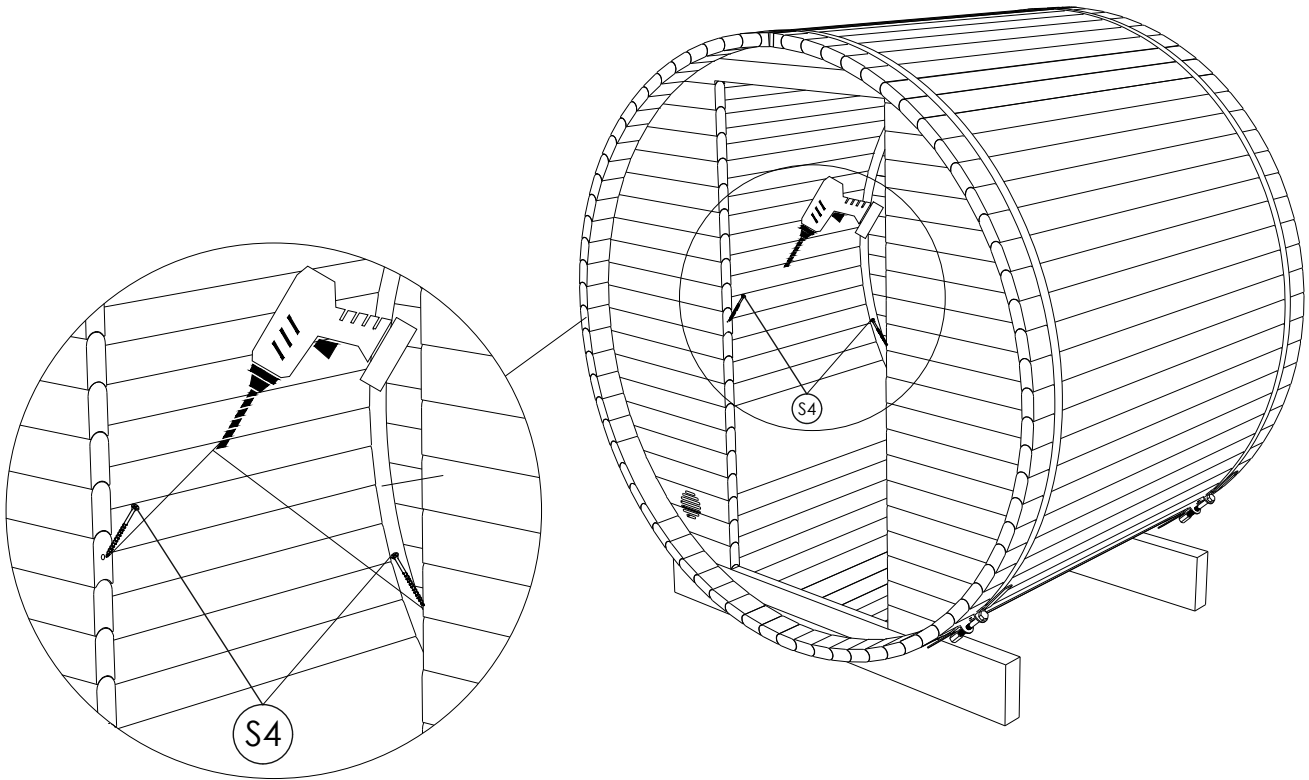


STEP 12: Draw straight line to connect both cuts. Use hand saw or other cutting machine to saw out excess boards for door box. It's recommended to saw out boards from inside. Fix ventilation grill (Y) from inside on ventilation cuts.



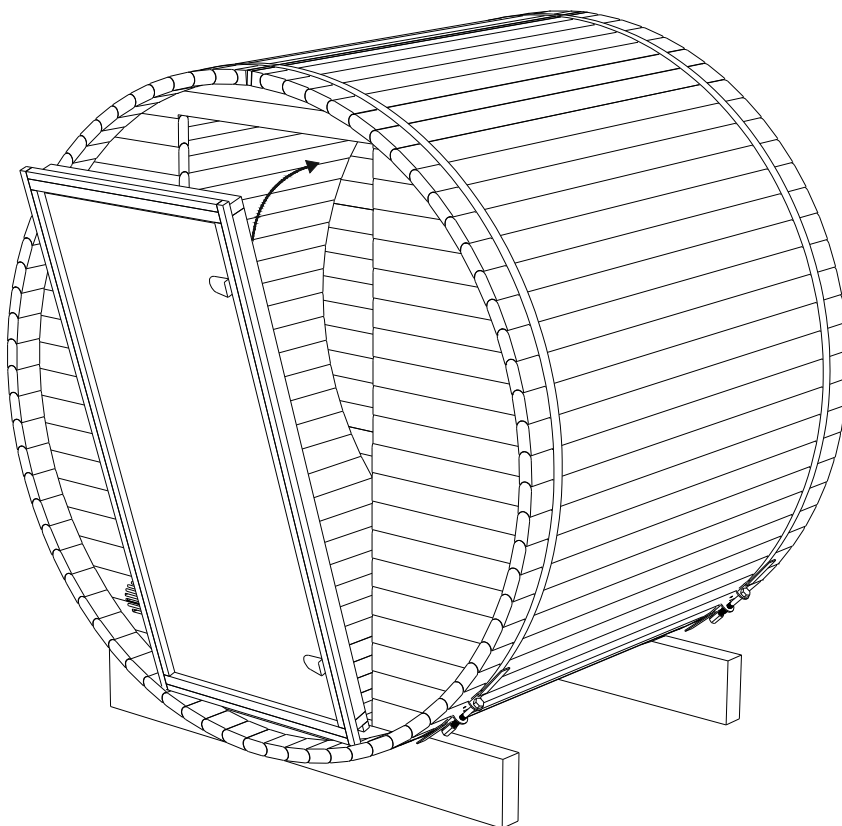
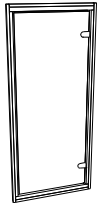
STEP 13: Pre-drill holes for screws. Fix both panels together using 5.0x120 (S4) screws.

(S4)
x2

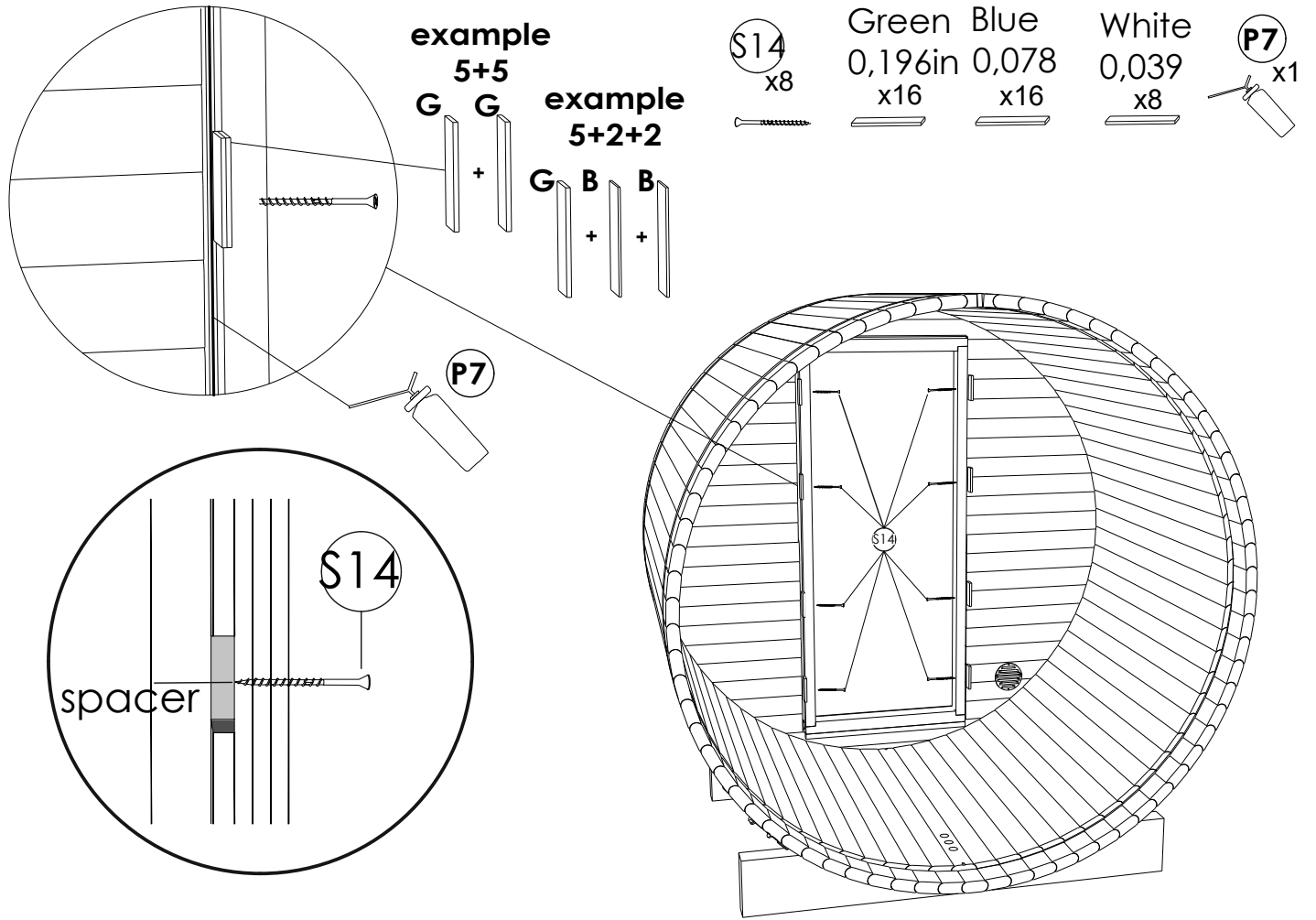


STEP 14: Install the doors (F2). Put the doors on threshold and lay in frame about in the middle. Fix doors with clamps or another person should hold the door.

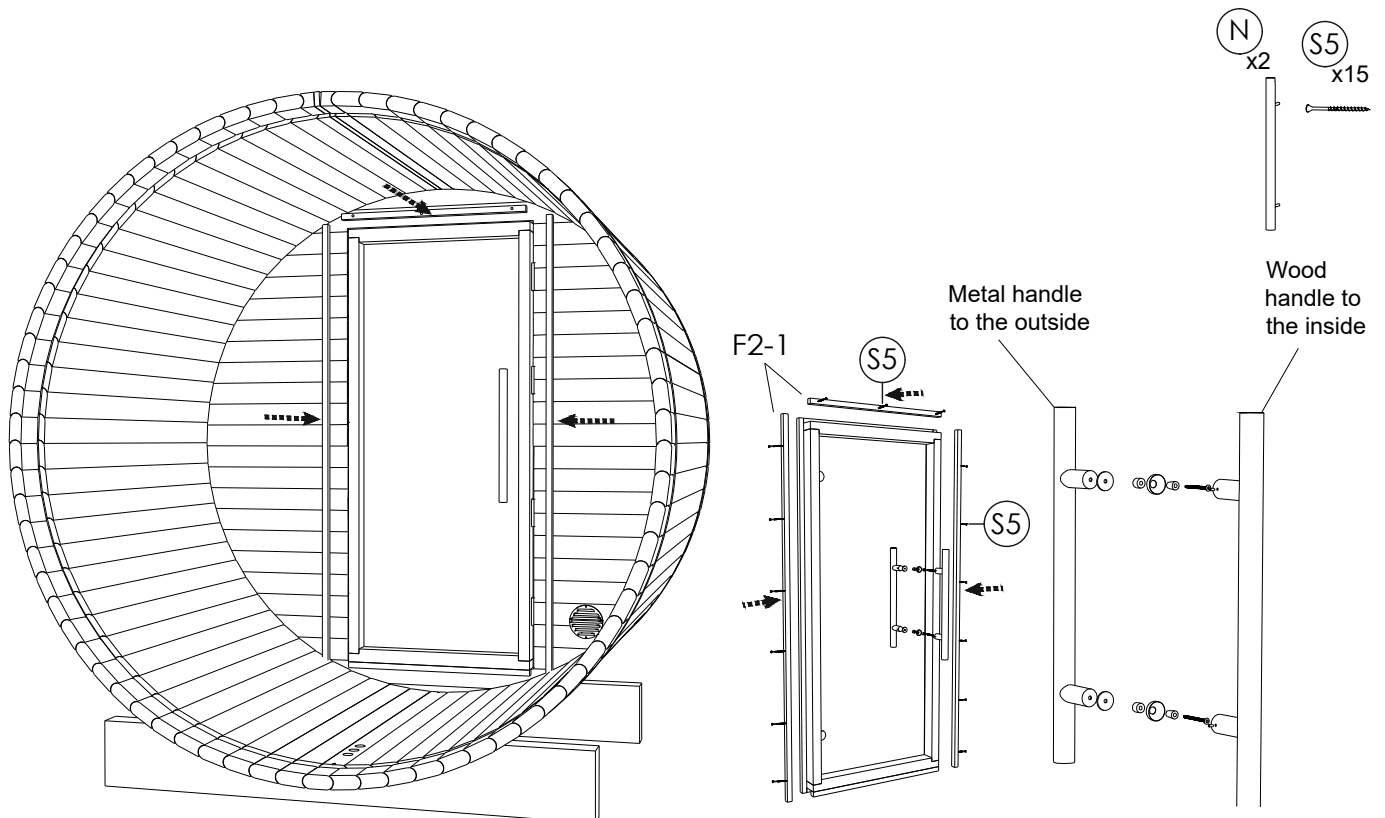
(F2)
x1



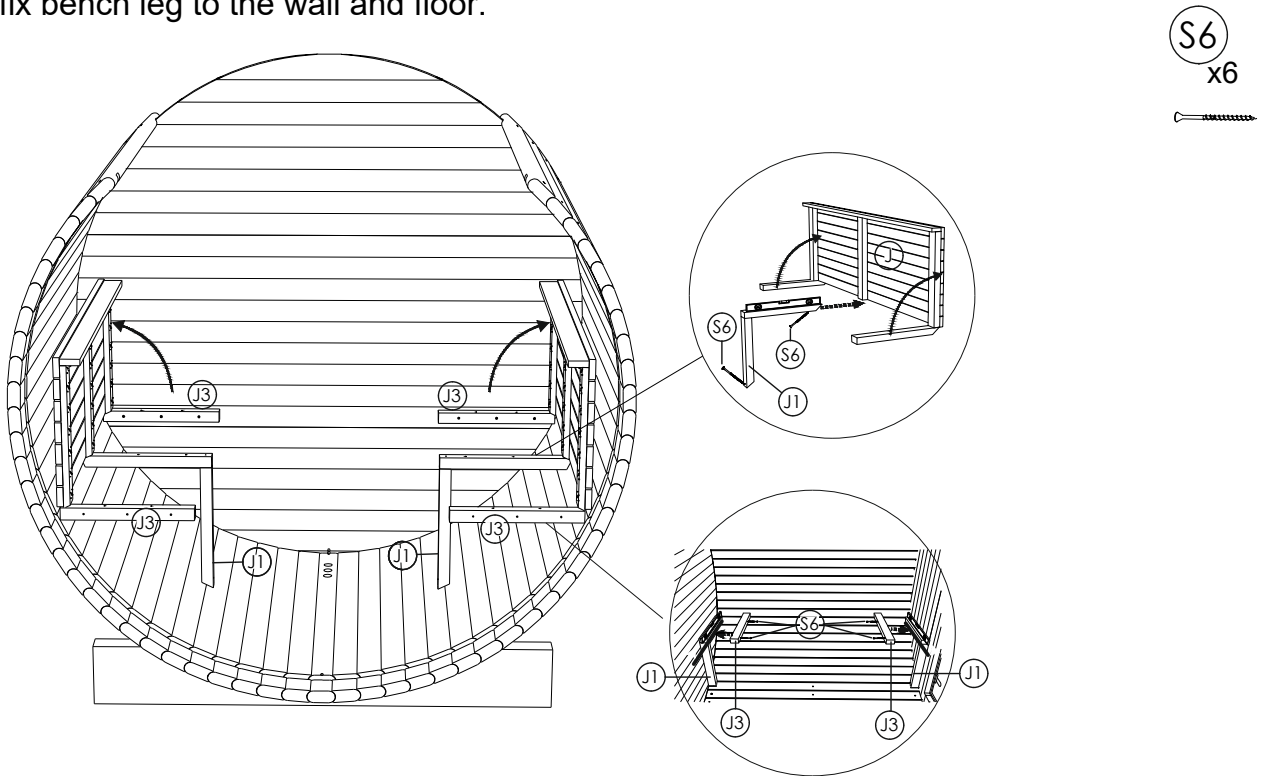
STEP 15: Put plastic spacers in the gap between the door box and the front panel where the screws go. Combine spacers for best width. First, fix one side of the door box with screws 5x80 (S14) through spacers. Then put spacers in other side. Combine spacers for necessary width. Spacers must fit tightly, they can't slip down before door is fixed with screws. Use screws 5x80 (S14) to fix doors. Check door box, both sides should be straight, they must not be bent inwards or outwards. Use foam around door box. Don't clean up the foam until it's dried out. The excess amount will come off easily if you don't touch it while it's wet.



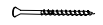
STEP 16: Fix door moldings to both sides and on top of the door with S5 screws 4x50ss.



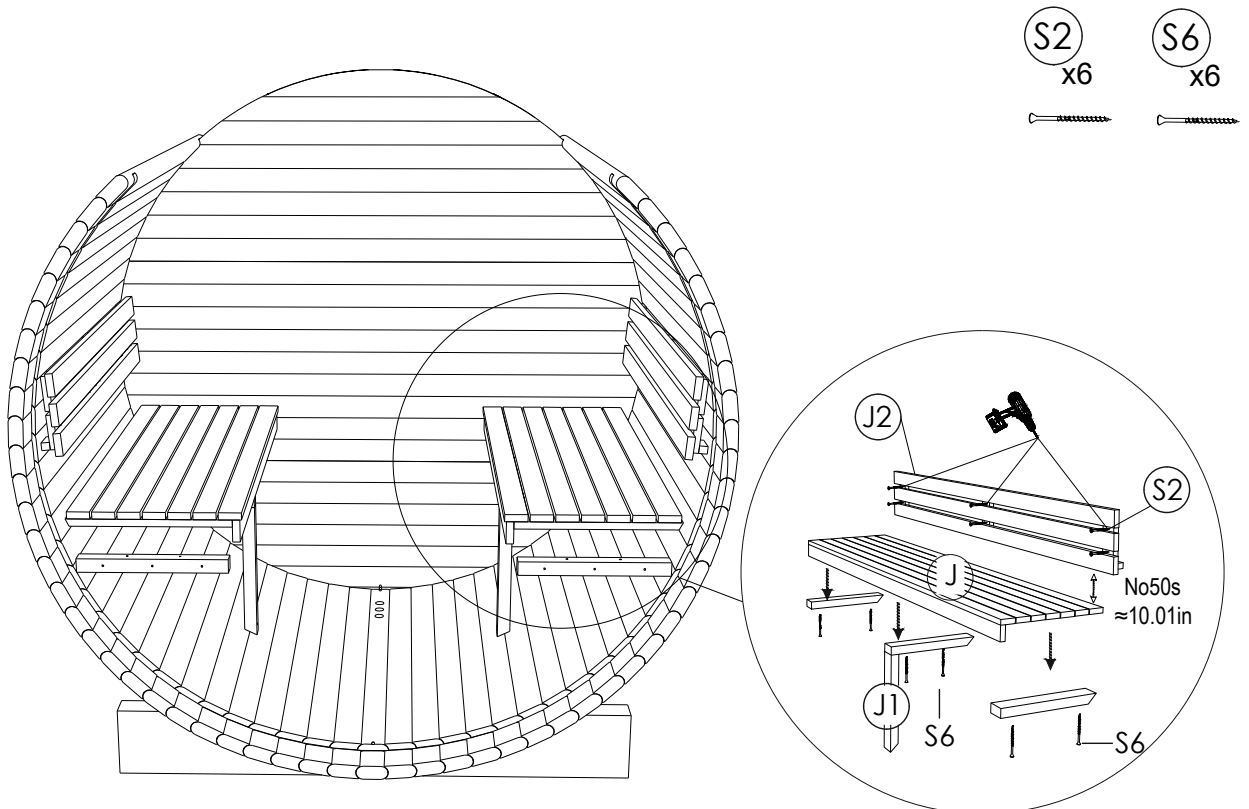
STEP 17: To install wall mounts (J3) use interior supporting leg (J1). Put it on the sauna wall in level, mark a line where wall mounts will stand. Using screw 5.0x70 SS (S6) fix wall mounts (J3) on the marked lines. Install interior supporting leg (J1) in the center of bench (J). Stand bench on side wall mounts. Place J1 in the center and check the level. Using screw 5.0 x 70 SS (S6) fix bench leg to the wall and floor.



(S6)
x6

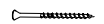


STEP 18: Pre-drill holes before fix backrest with screws, install backrests (J2) using screw 4.0 x 70 SS (S2). Fix sauna bench (J) to wall mounts and support leg using 5 x70 SS (S6) screws.

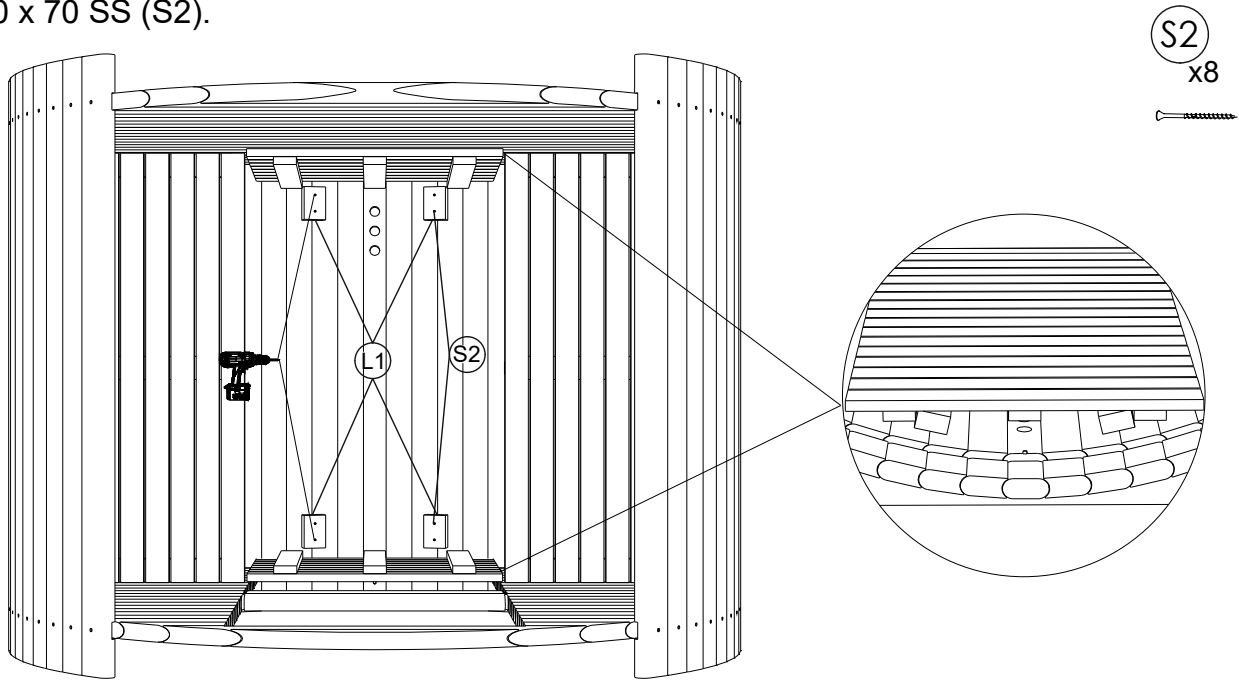


(S2)
x6

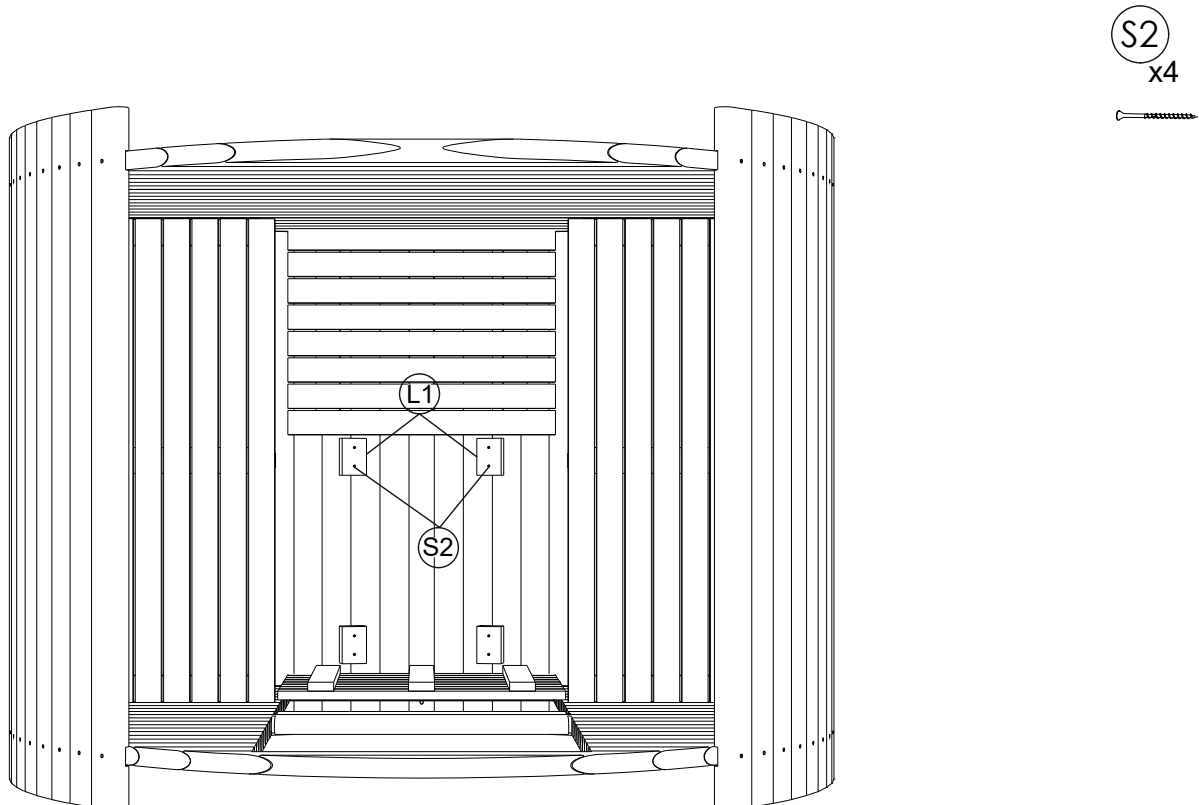
(S6)
x6



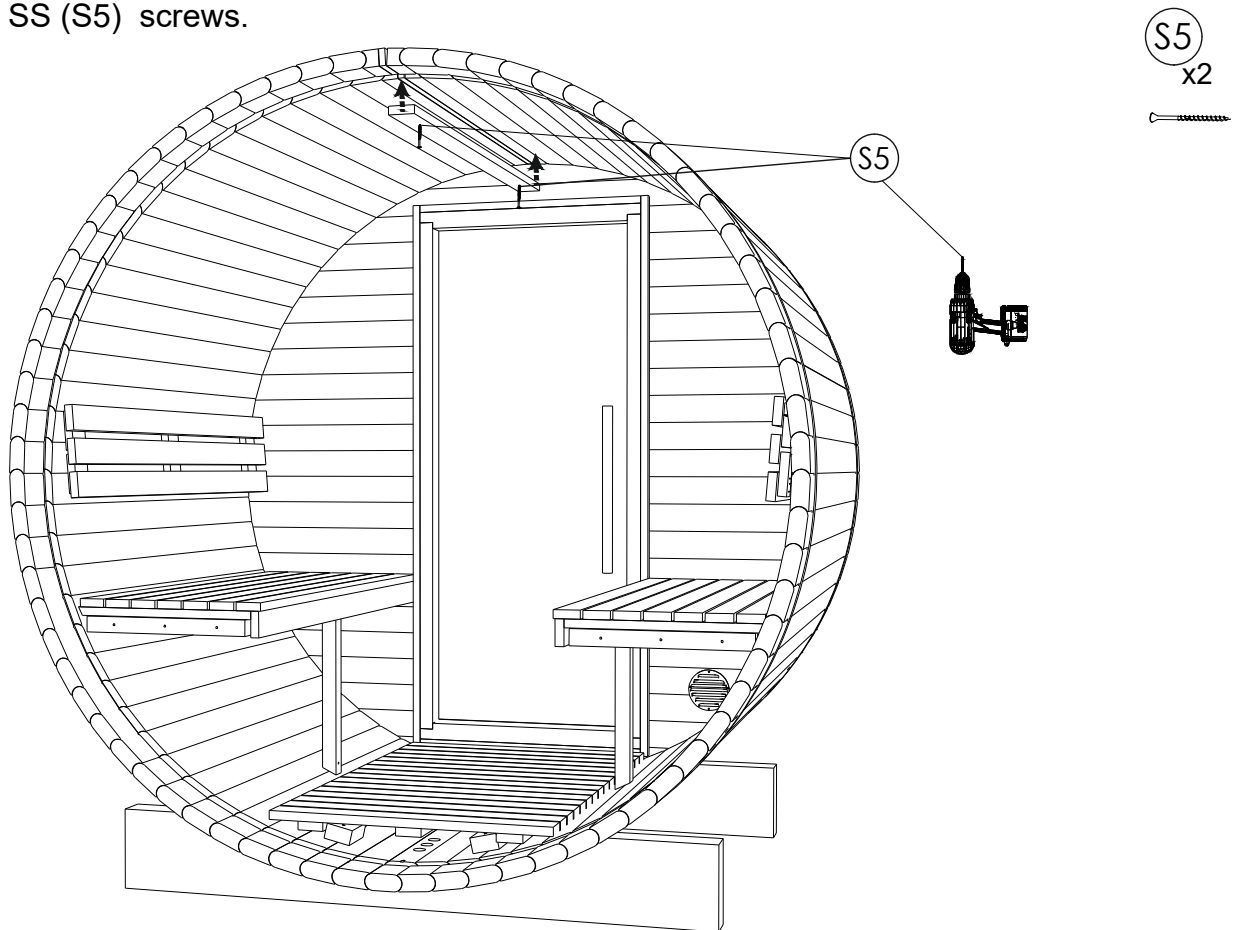
STEP 19: Place floor duckboards (L) to the both sides upwards and place fixing blocks next to the flooring cross boards. Pre-drill holes before fix with screws, install fixing blocks (L1) using screw 4.0 x 70 SS (S2).



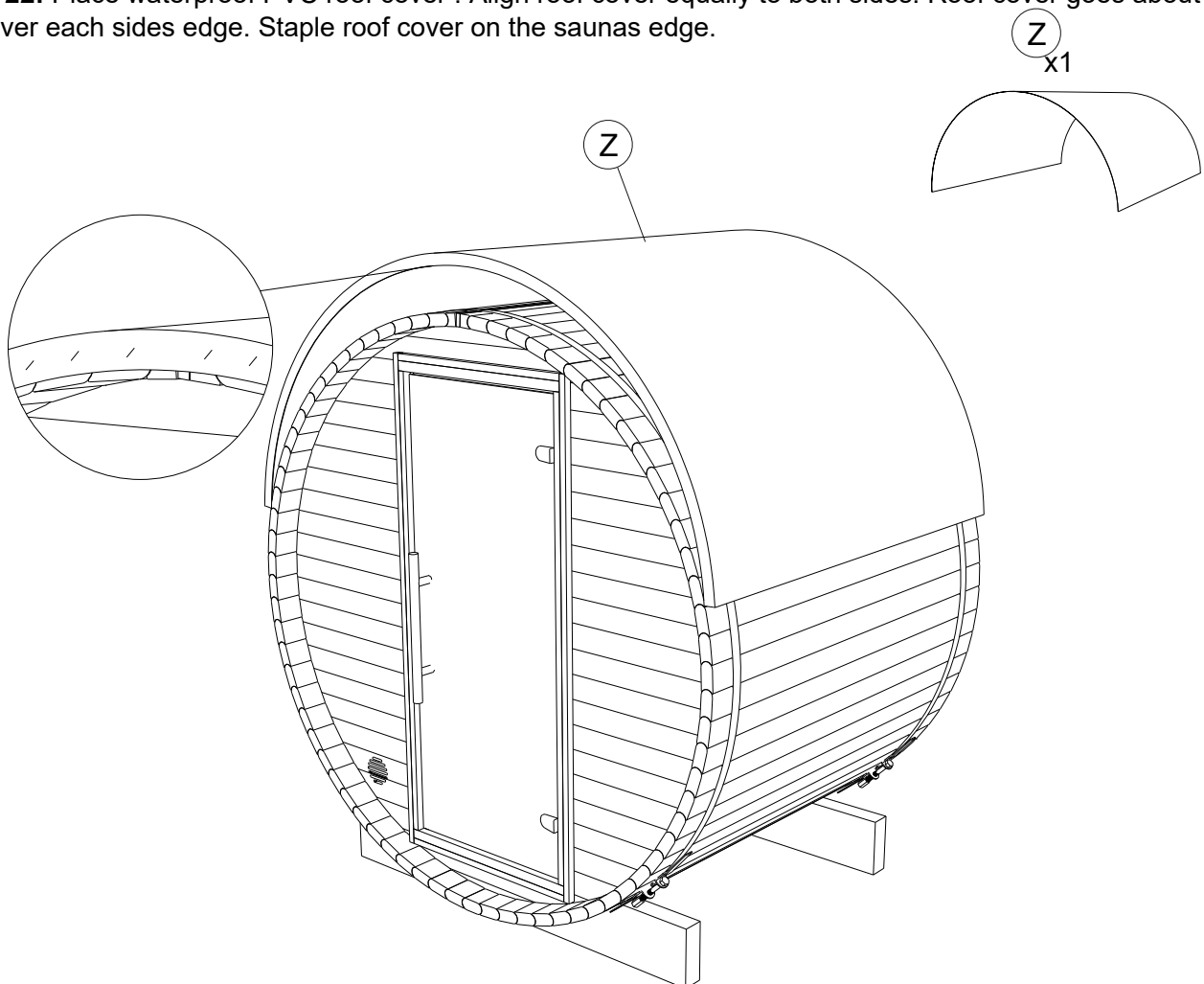
STEP 20: Pre-drill holes before fix with screws, install fixing blocks (L1) under floor duckboard using screw 4.0 x 70 SS (S2). Place floor duckboards (L) on the floor and fix fixing blocks next to both flooring crossboards.



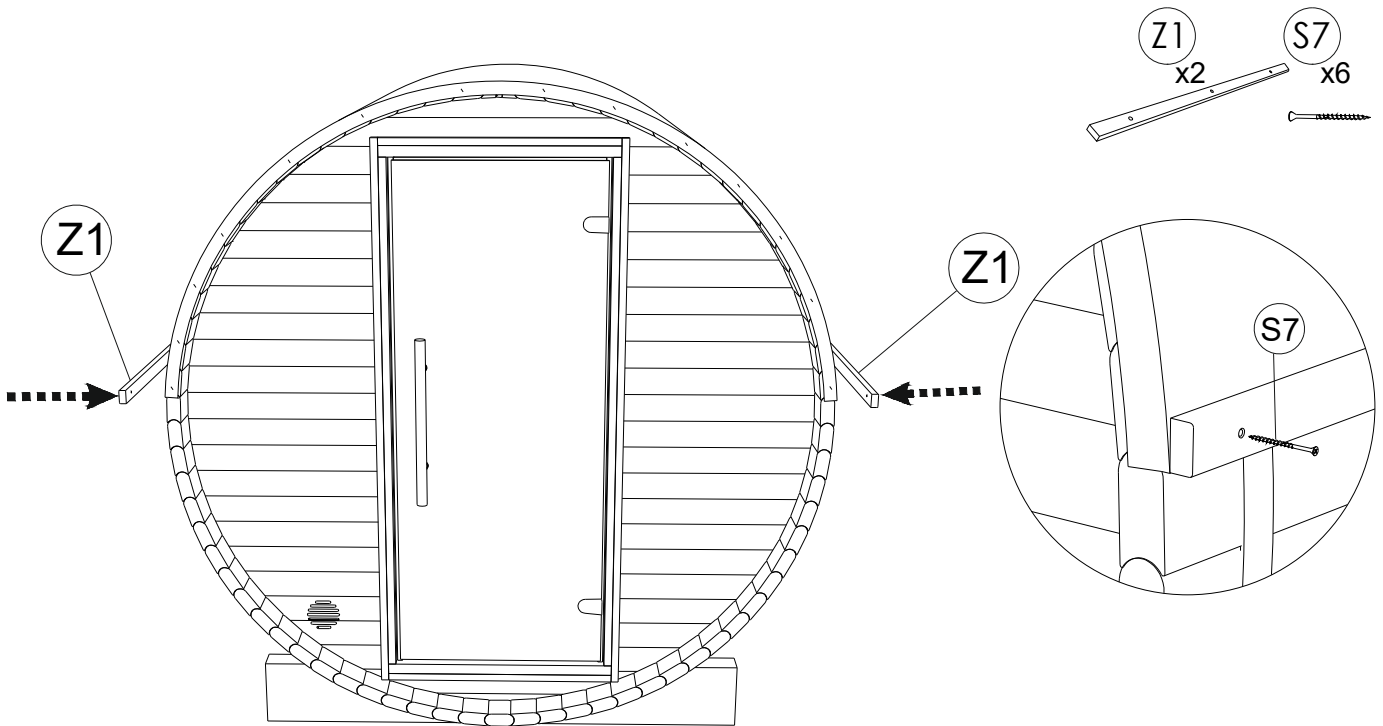
STEP 21: Pre-drill holes before fix stave with screws, install interior roof trim (O) in sauna with 4.0 x 50 SS (S5) screws.



STEP 22: Place waterproof PVC roof cover . Align roof cover equally to both sides. Roof cover goes about 3cm over each sides edge. Staple roof cover on the saunas edge.



STEP 23: Fix with wooden slats (Z1) with screws 4.2x55 (S7) on the rain jacket bottom.



STEP 24: Install front and rear decorative roof finishing boards (W), fixing by screws 4.2x55(S7). Start with a center board placing it at the top of the middle of the sauna, aprox.20mm above roof. Then fix next boards right next to previous board.

