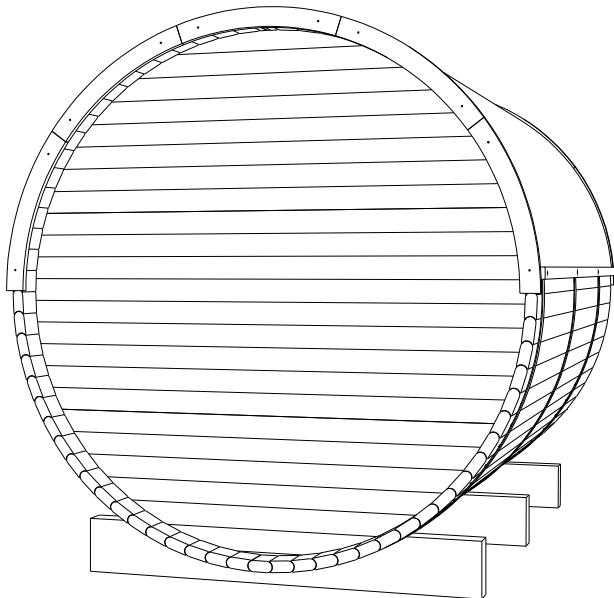
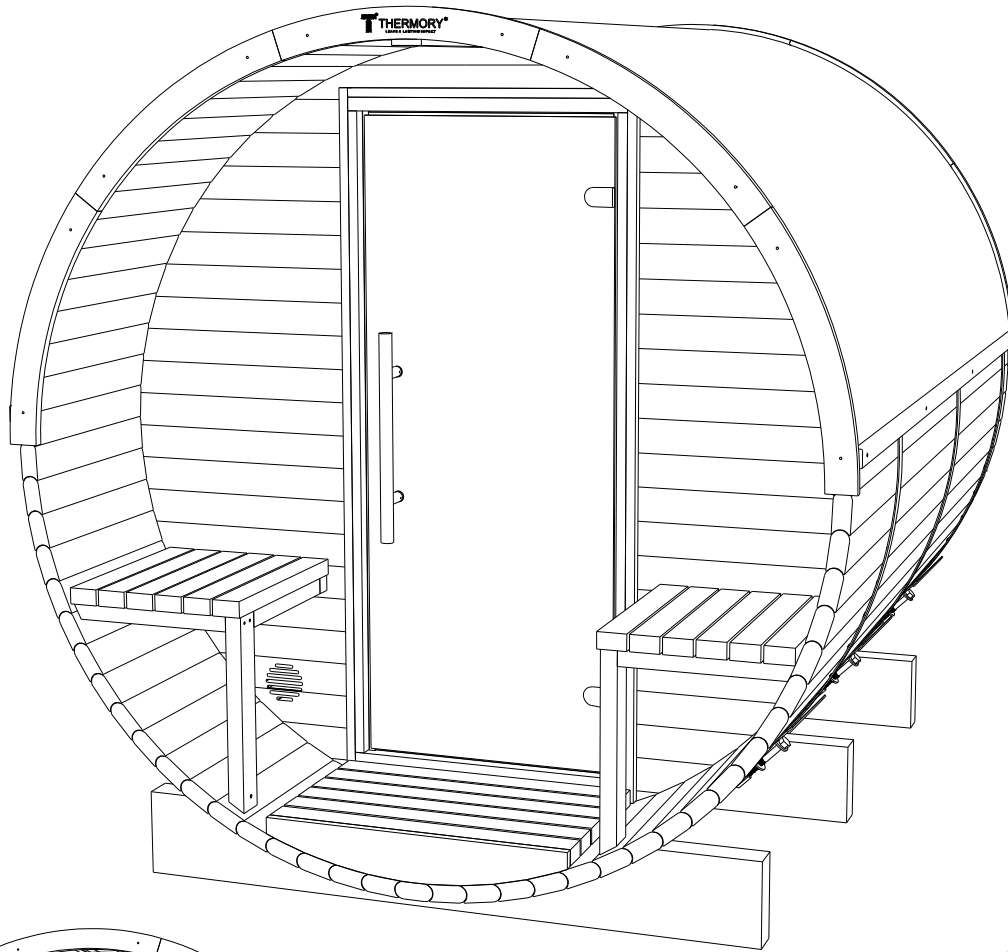
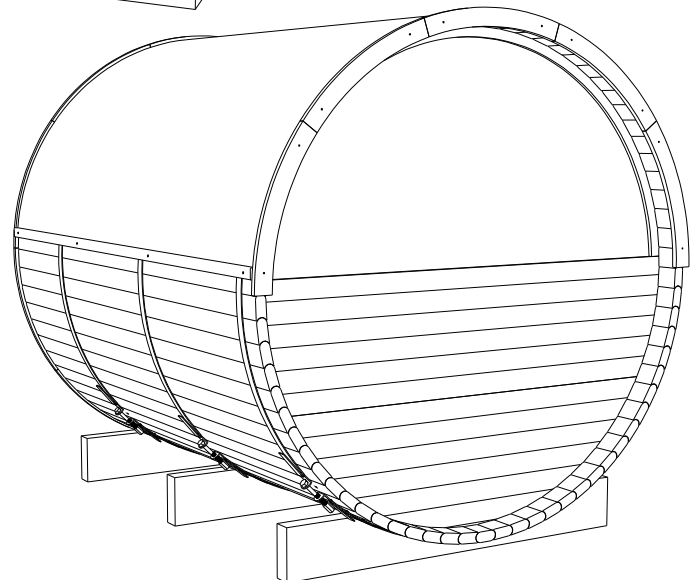


# BARREL SAUNA

## ASSEMBLY INSTRUCTIONS



Model: No61

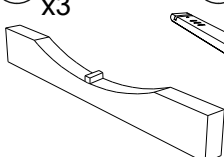
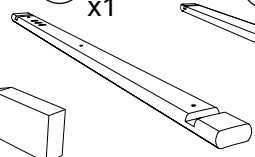
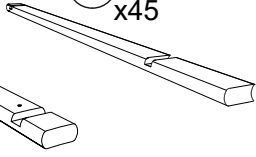
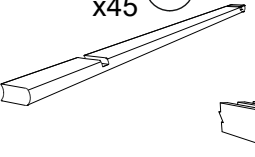
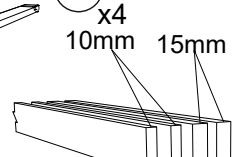
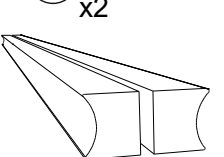
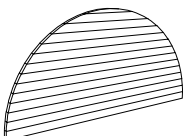
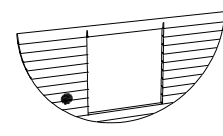
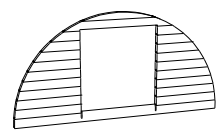
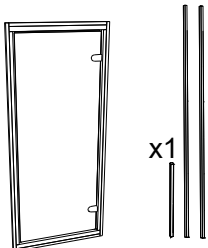
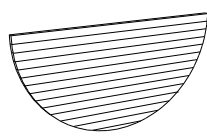
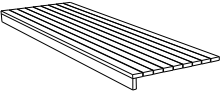
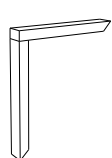

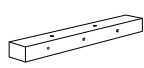

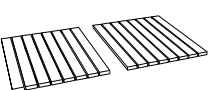
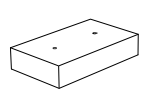
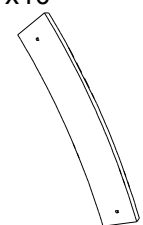
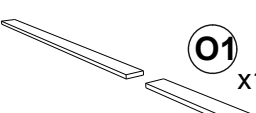

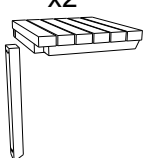
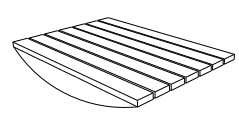







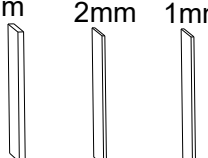


Model: No60

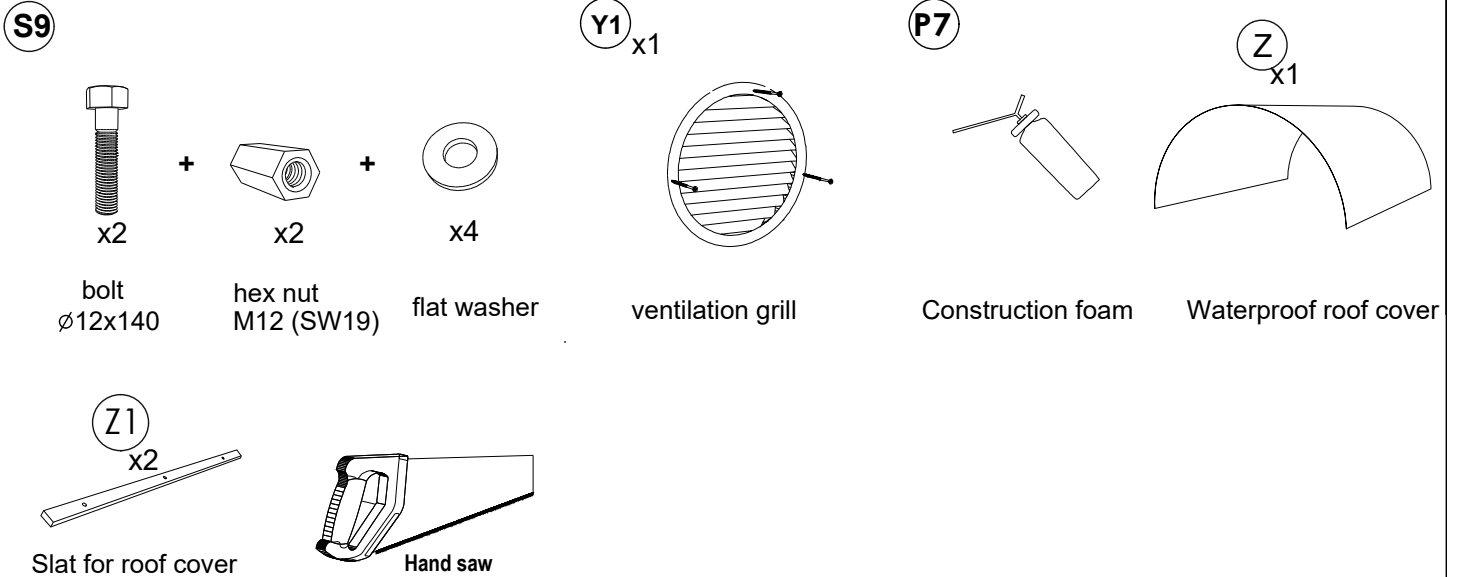
**Note: Please read the manual before construction**

Rev. 25.09.2024.

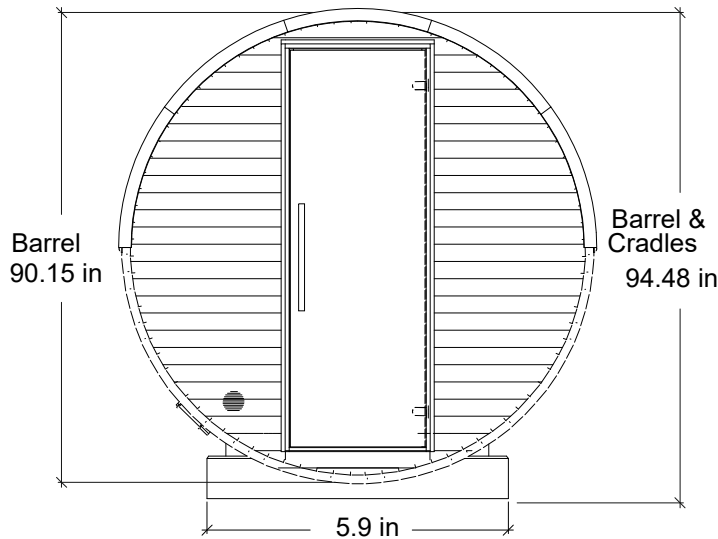
# PART LIST

<b>A</b> x3	<b>B</b> x1	<b>C</b> x45	<b>C1</b> x45	<b>H1</b> x4 10mm 15mm	<b>H</b> x2
					
cradle	center stave	left side body stave	right side body stave	different thickness filling peaces	final H type stave at the top
<b>V3</b> x1	<b>F</b> x1	<b>F1</b> x1	<b>F2</b> x1	<b>V</b> x1	
					
upper rear panel	front panel bottom	front panel top	door and door moldings	bottom rear panel	
<b>J</b> x2	<b>J1</b> x2	<b>J2</b> x2	<b>J3</b> x4	<b>N1</b> x2	
					
sauna bench	supporting leg	backrest	wall mount	door handle	
<b>L</b> x2	<b>L1</b> x6	<b>W</b> x10	<b>O</b> x1	<b>I</b> x3	
			 Terrace <b>O1</b> x1		
sauna floor	fixing block for sauna floor	decorative roof finishing board	roof board	metal band	
<b>K</b> x2	<b>L2</b> x1	<b>S1</b> x60	<b>S5</b> x52	<b>S4</b> x11	
					
terrace bench	Flooring duckboard (outside)	screw 5.0x100 SS	screw 4.0x50 SS	screw 5.0x120	
<b>S10</b> x160	<b>S6</b> x40	<b>S7</b> x25	<b>S14</b> x10	5mm 2mm 1mm	
					
screw 4.0x60	screw 5.0x70 SS	screw 4.2x55 brown	screw 5.0x80	door box spacers	

# PART LIST



## Barrel Dimensions



## RECOMMENDATION



2 person recommended

Before you begin, be sure the sauna will fit in your chosen location.

Be sure the site is level and free of standing water after rainfall.

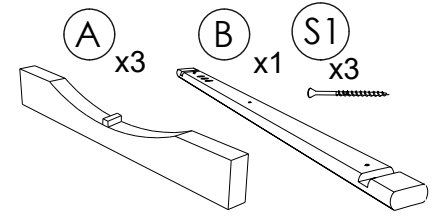
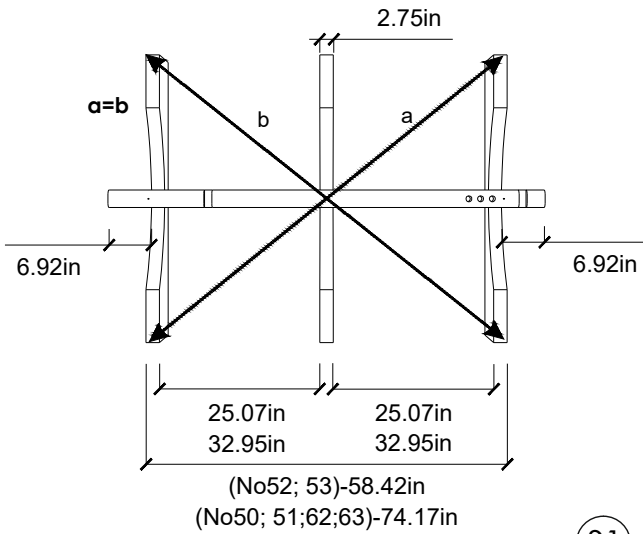
Concrete, pavers or crushed stone is preferred.

Check parts before construction.

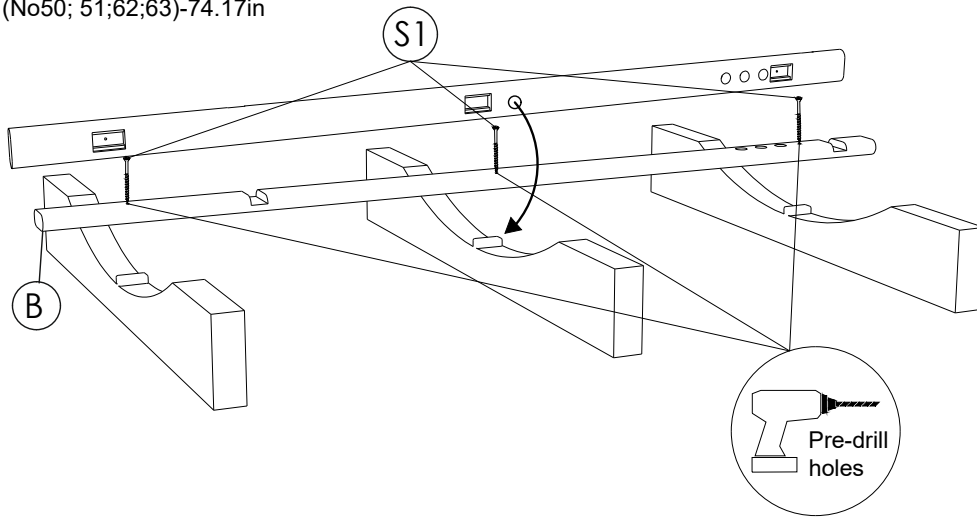
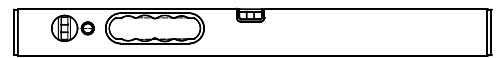
## TOOLS REQUIRED



**STEP 1:** Measure support cradles (A) diagonally from corner to corner. Measurements “a” and “b” should be equal to ensure the cradles are square. Be sure cradles remain level. Place the support cradles (A) on level site. Carefully level for better stability. Place the center stove (B) on wooden dowels embedded in outer support cradles (A). Fix the center stove (B) with 5.0x100 SS(S1). Pre-drill holes before fix staves with screws.

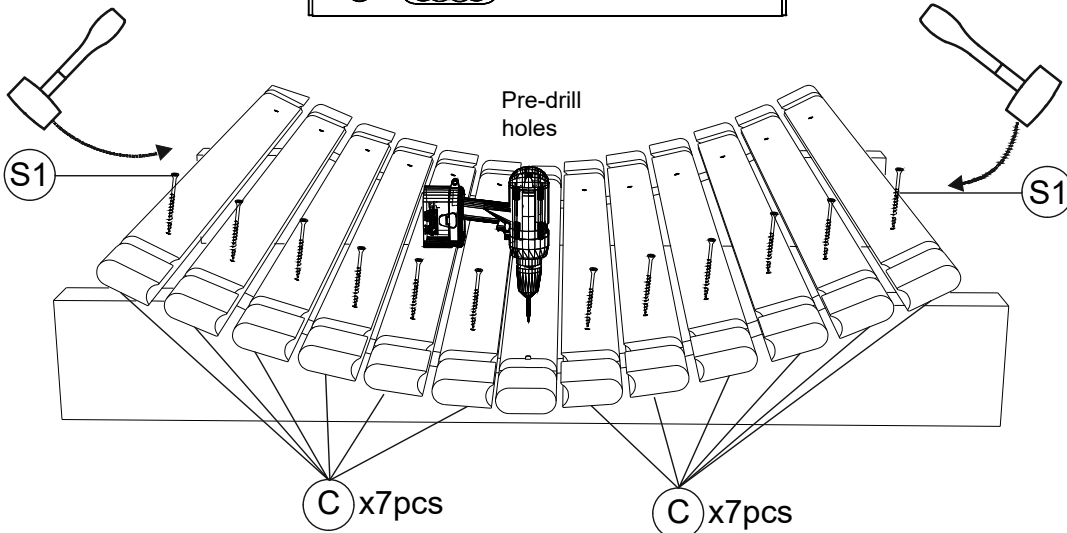
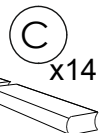


**NB! use a level**

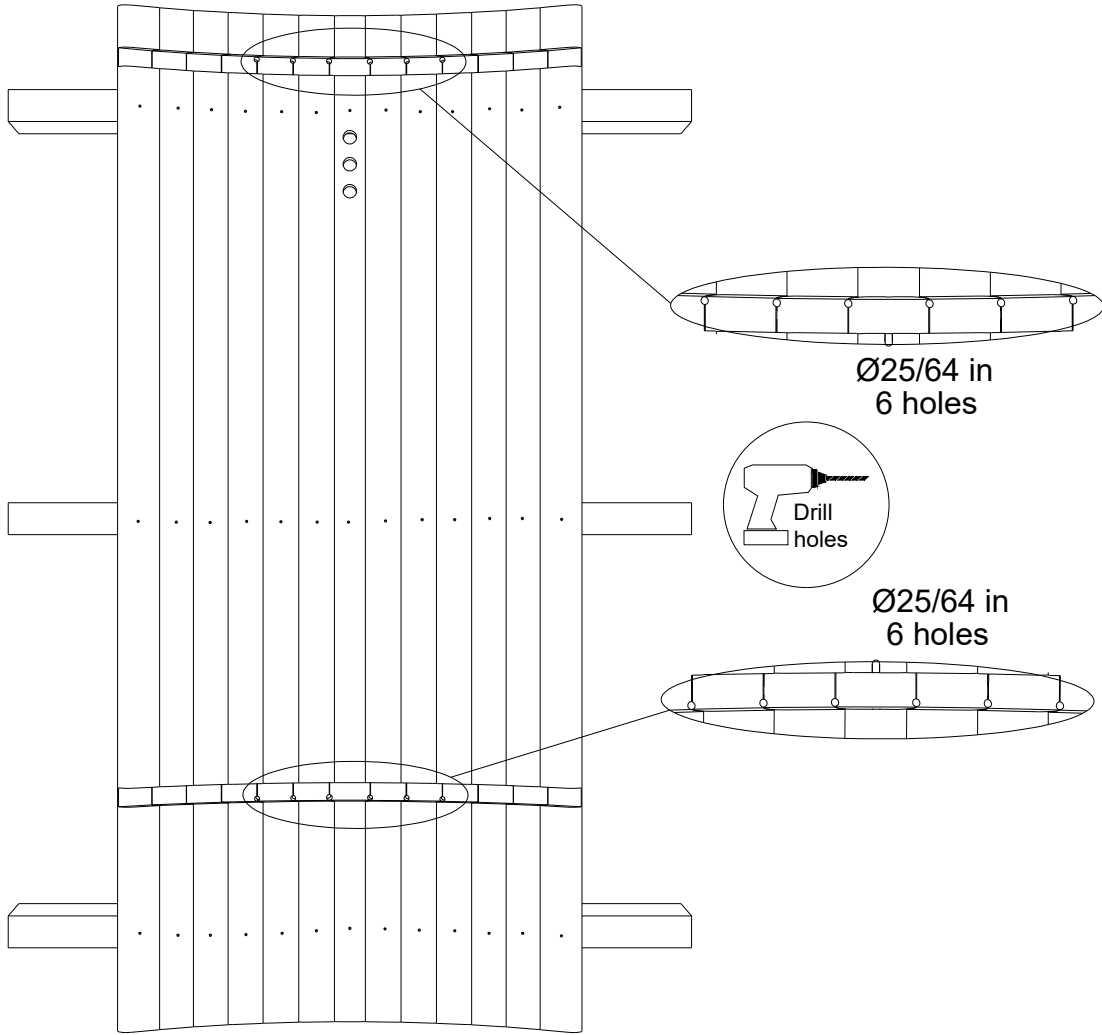


**STEP 2:** Pre-drill holes before fix staves with screws. Place 7 sauna body staves (C) to each side of the center stove (B) and fix with screws 5.0x100 SS (S1). Be sure to align the panel groove on every next body stove, to do that use rubber hammer.

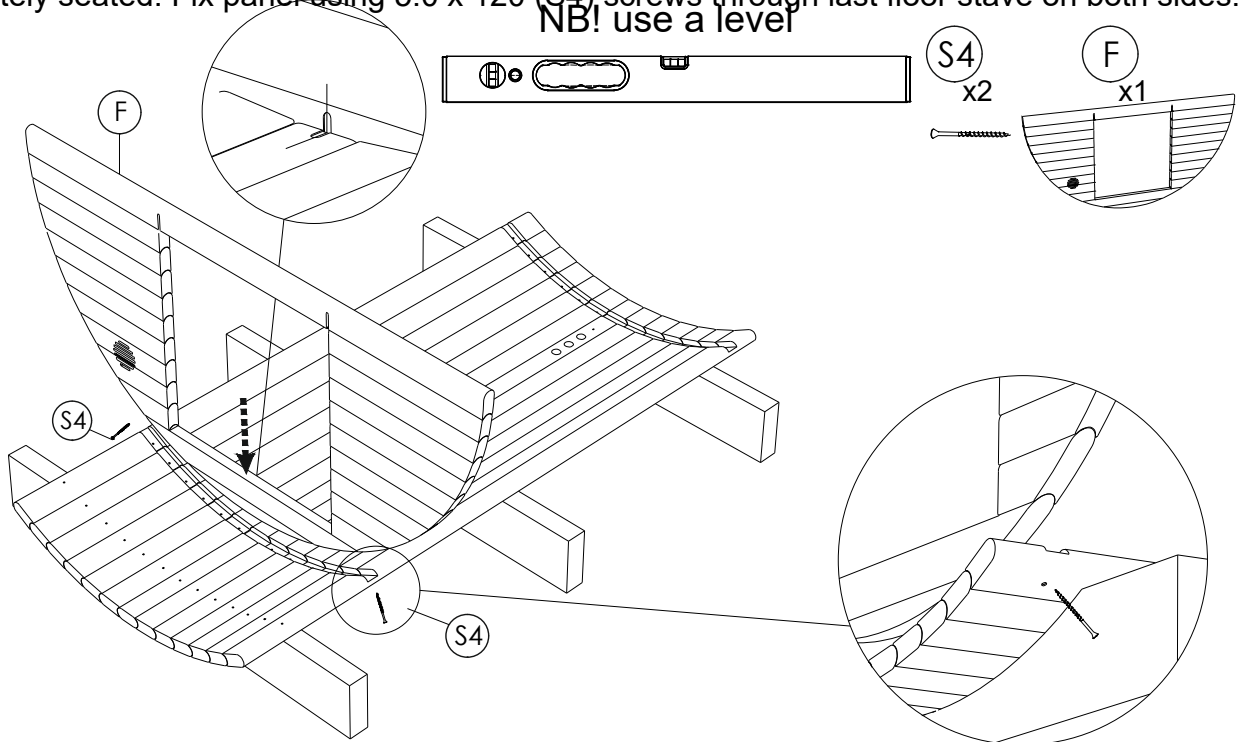
**NB! use a level**



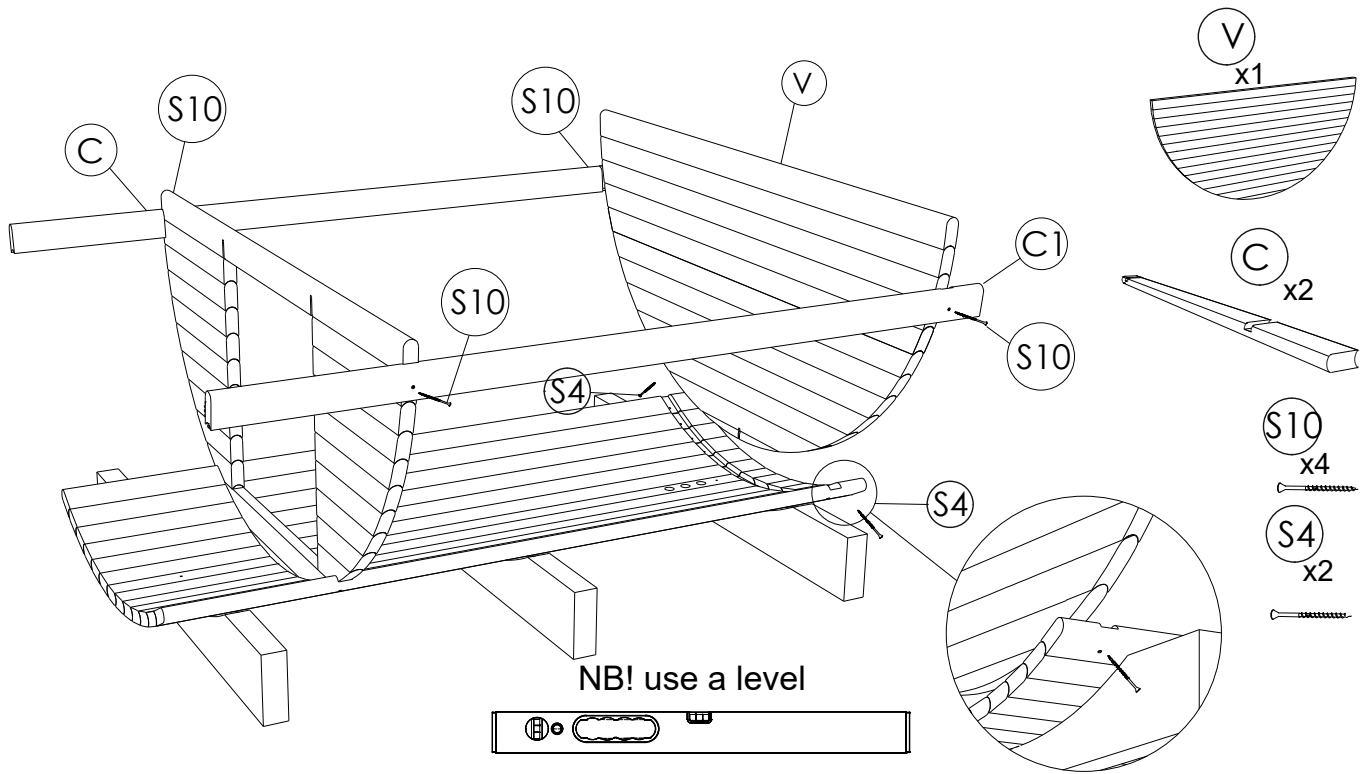
**STEP3:** Drill six 25/64in holes in front and back wall groove to the out-side in board connections as shown in the picture.



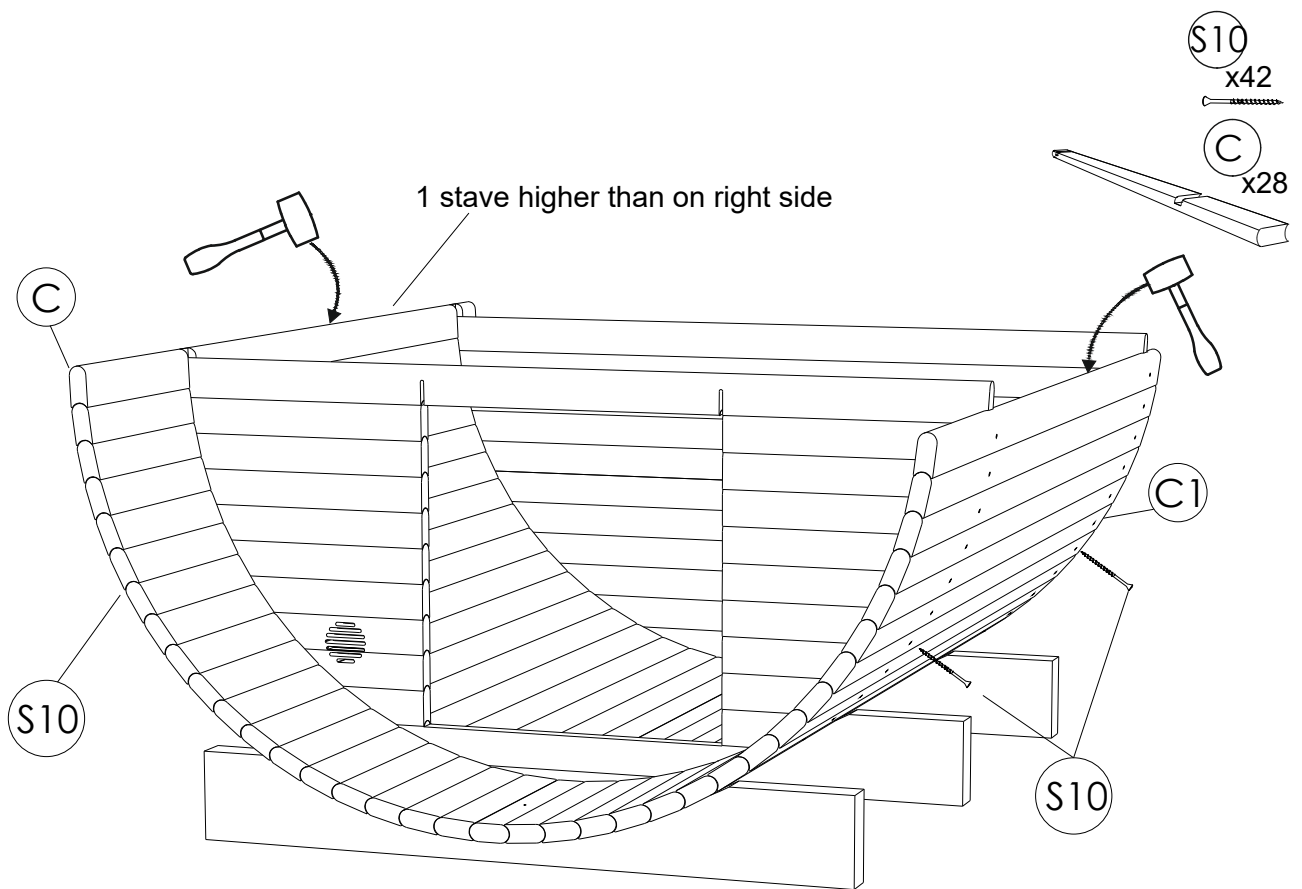
**STEP 4:** Place front bottom panel (F) in stave groove, be sure panel is centered, leveled, completely seated. Fix panel using 5.0 x 120 (S4) screws through last floor stave on both sides. **NB! use a level**



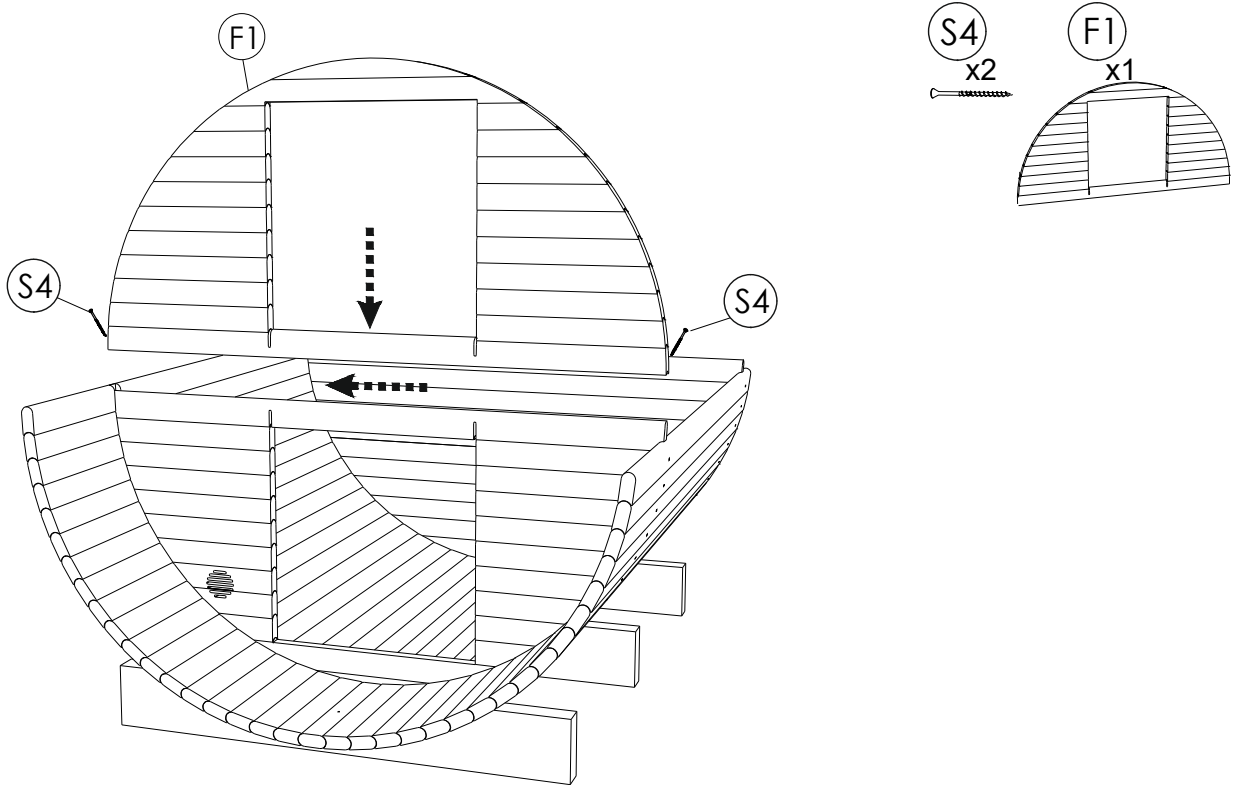
**STEP 5:** Place rear panel (V) in stave groove, be sure panel is centered, leveled, completely seated. Fix panel using 5.0 x 120 (S4) screws through last floor stave on both sides.



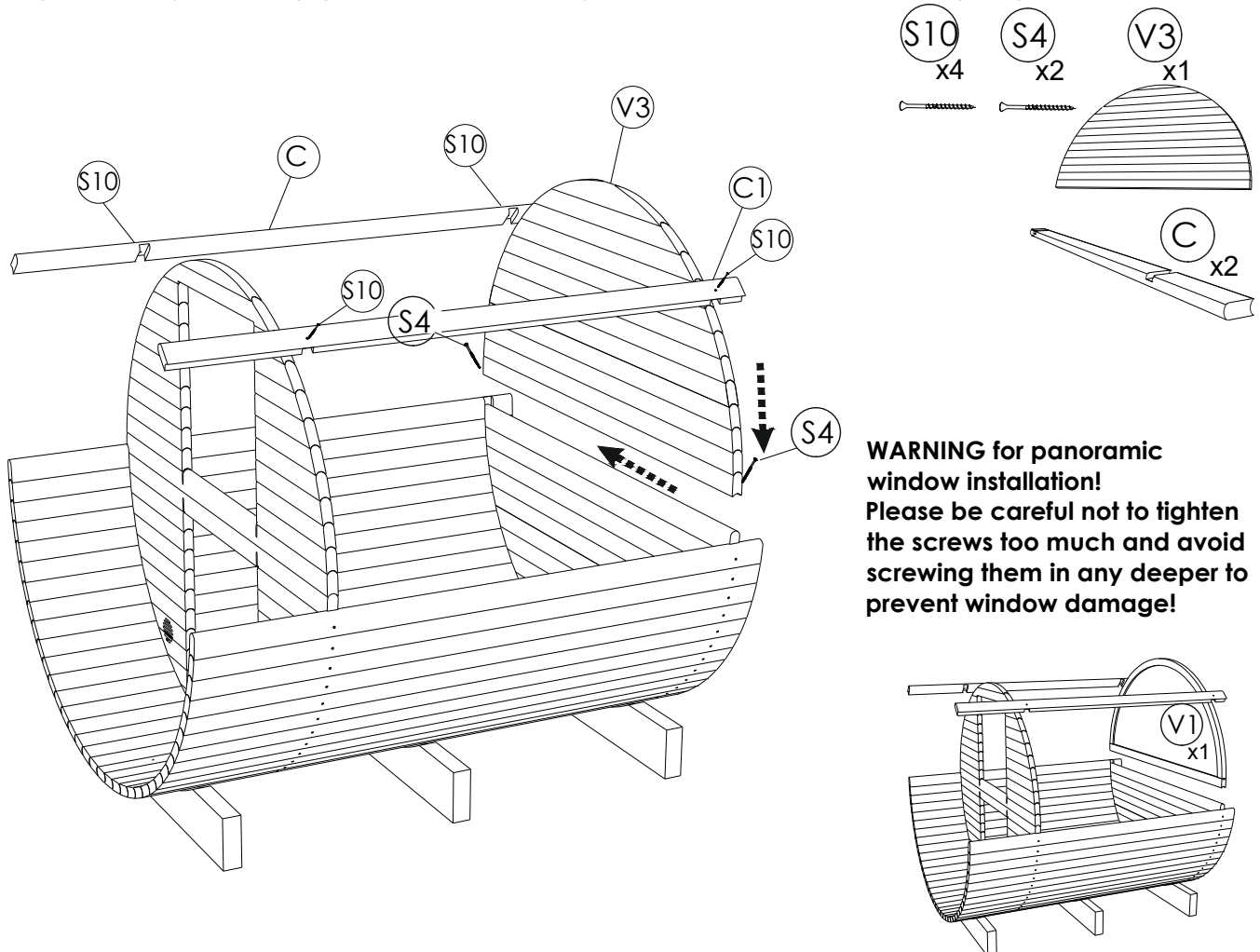
**STEP 6:** Continue placing body staves (C) tightly on both sides of the sauna using rubber mallet, and fixing body staves with screws 4.0x60(S10) . Fix one stave higher on left side than at right.



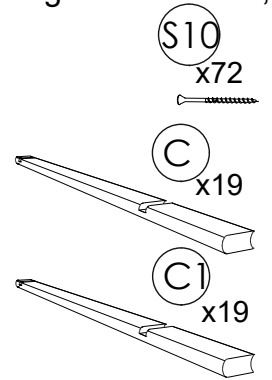
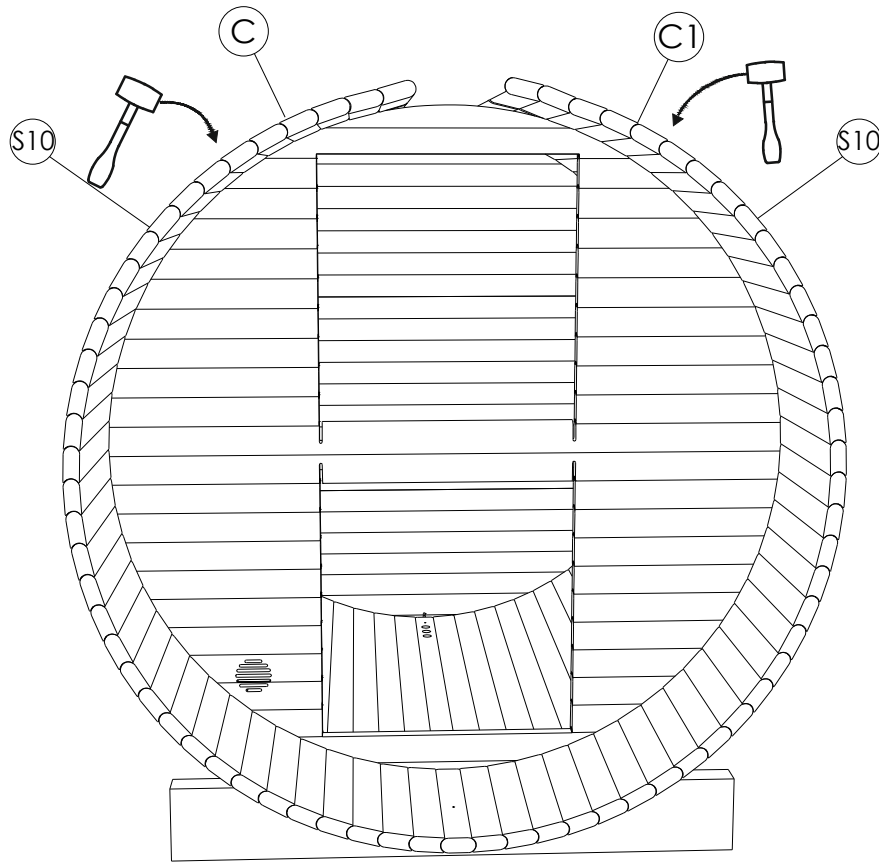
**STEP 7:** Place front top panel (F1) on front bottom panel (F), be sure panel is centered, leveled, completely seated. Fix panel using 5.0 x 120 (S4) screws on both sides.



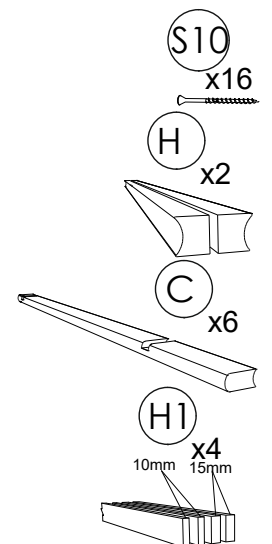
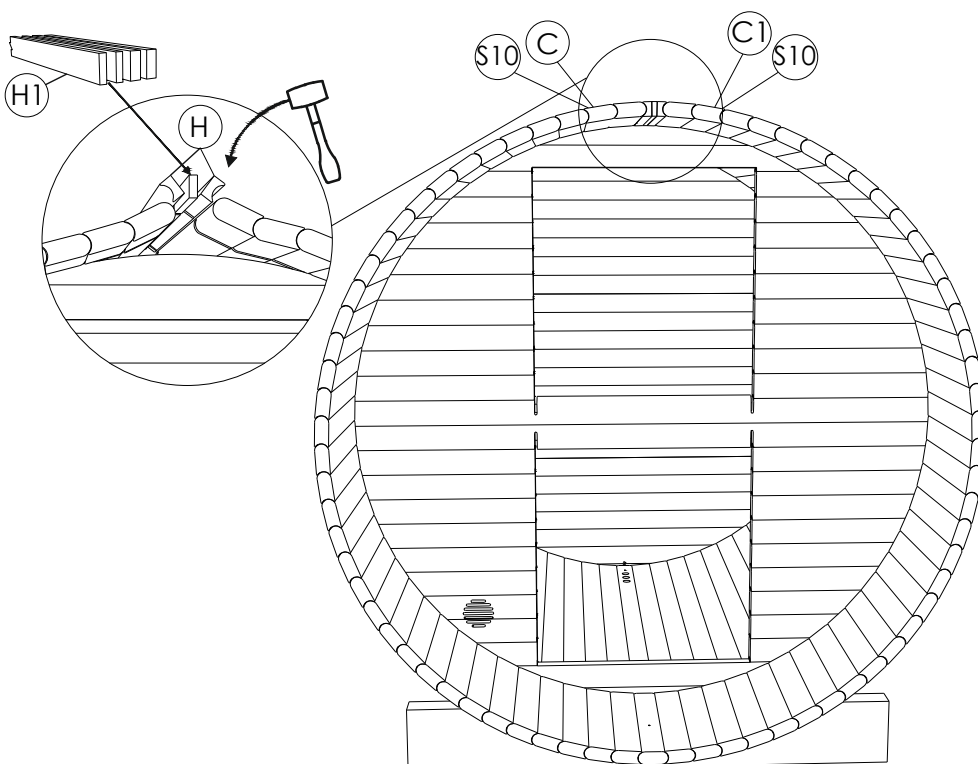
**STEP 8:** Take the upper rear panel (V3 or V1-panoramic window) and place it on the bottom rear panel (V). Secure it by using 2 screws 5.0 x 120 (S4). Connect the panels (F2; V3) together by placing one body staves (C) both sides where you can reach, with 4.0x60 (S10) screws.



**STEP 9:** Continue placing body staves (C) tightly on both sides of the sauna using rubber mallet, and fixing body staves with screws 4.0x60(S10).

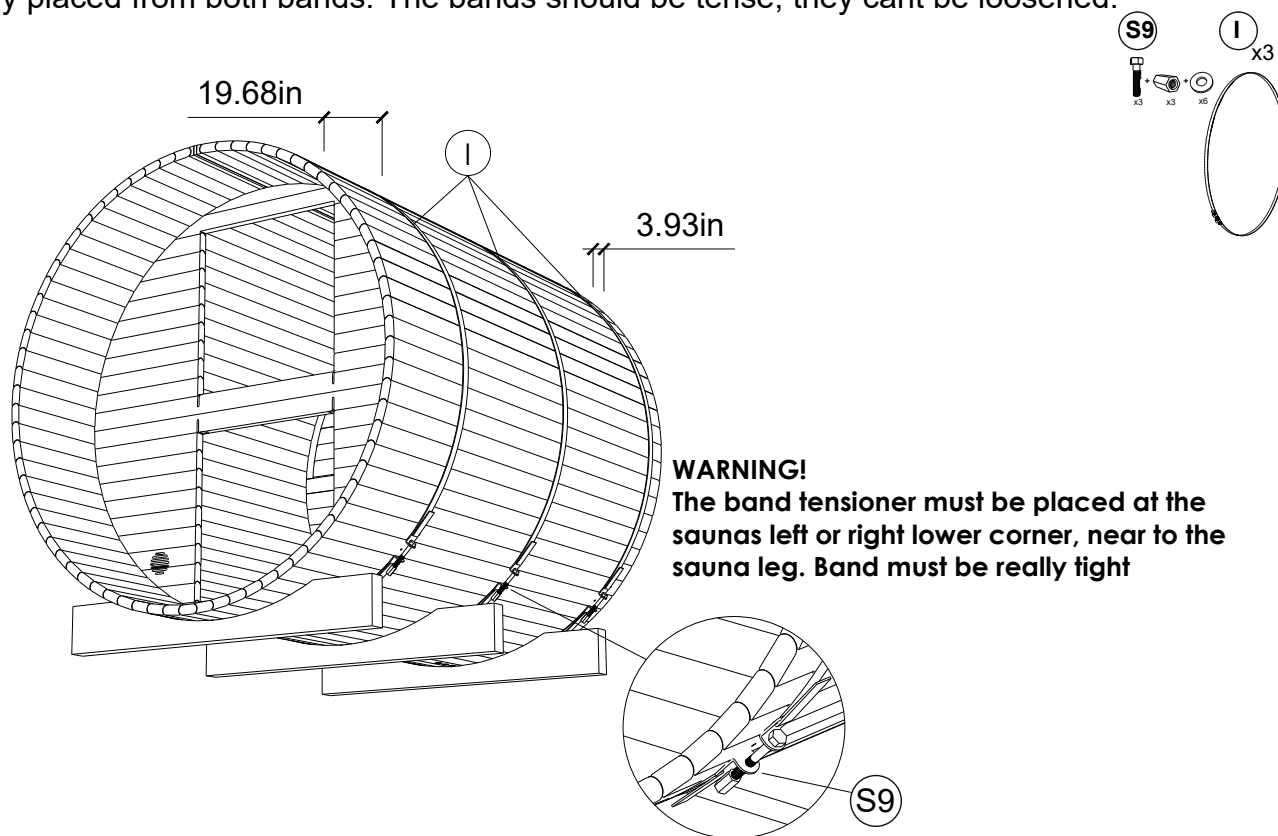


**STEP 10:** To finish the roof top joint, don't screw about last 3 boards (C) to each side, use roof finishing item (H). Different thickness filling pieces (H1) are provided to completely fill the gap. Once necessary parts are in, fix last boards with screws.

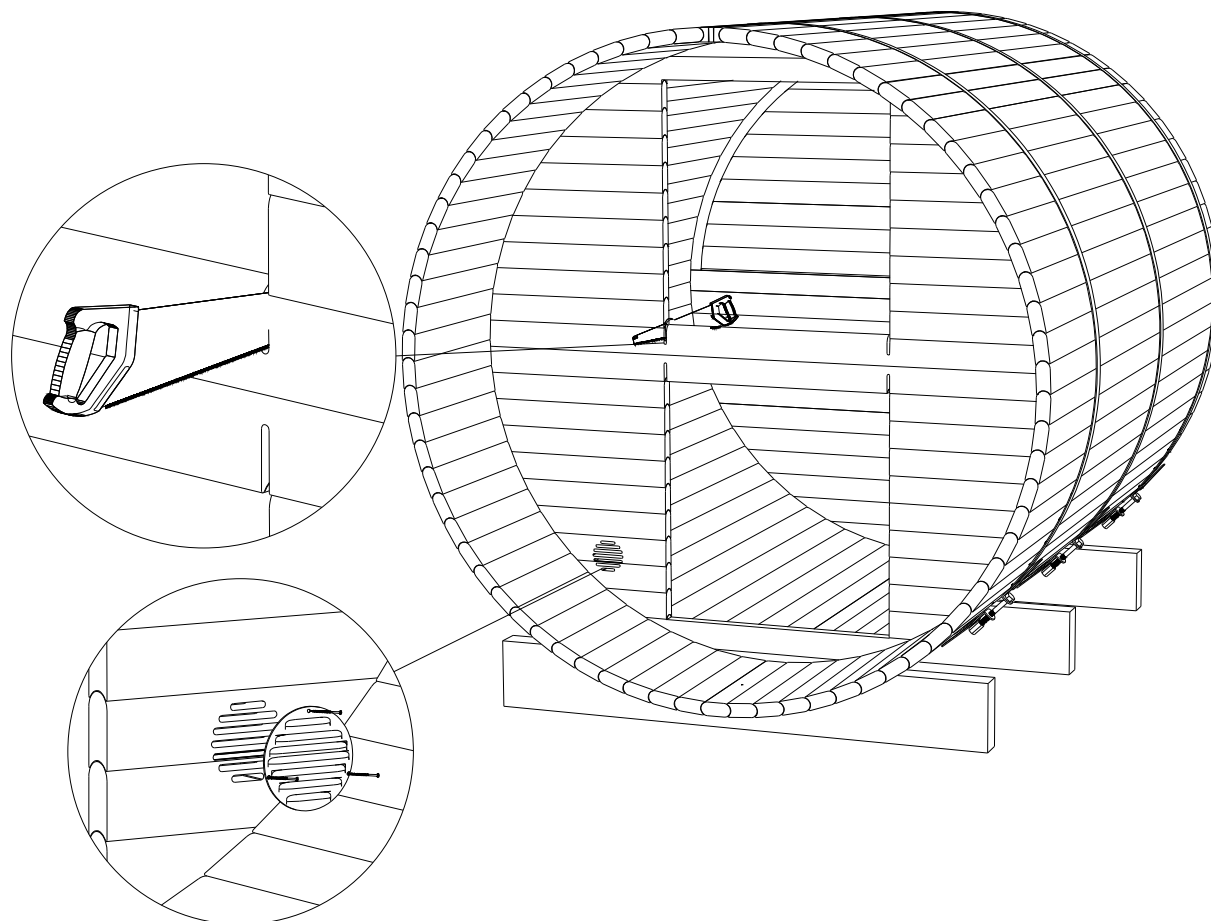




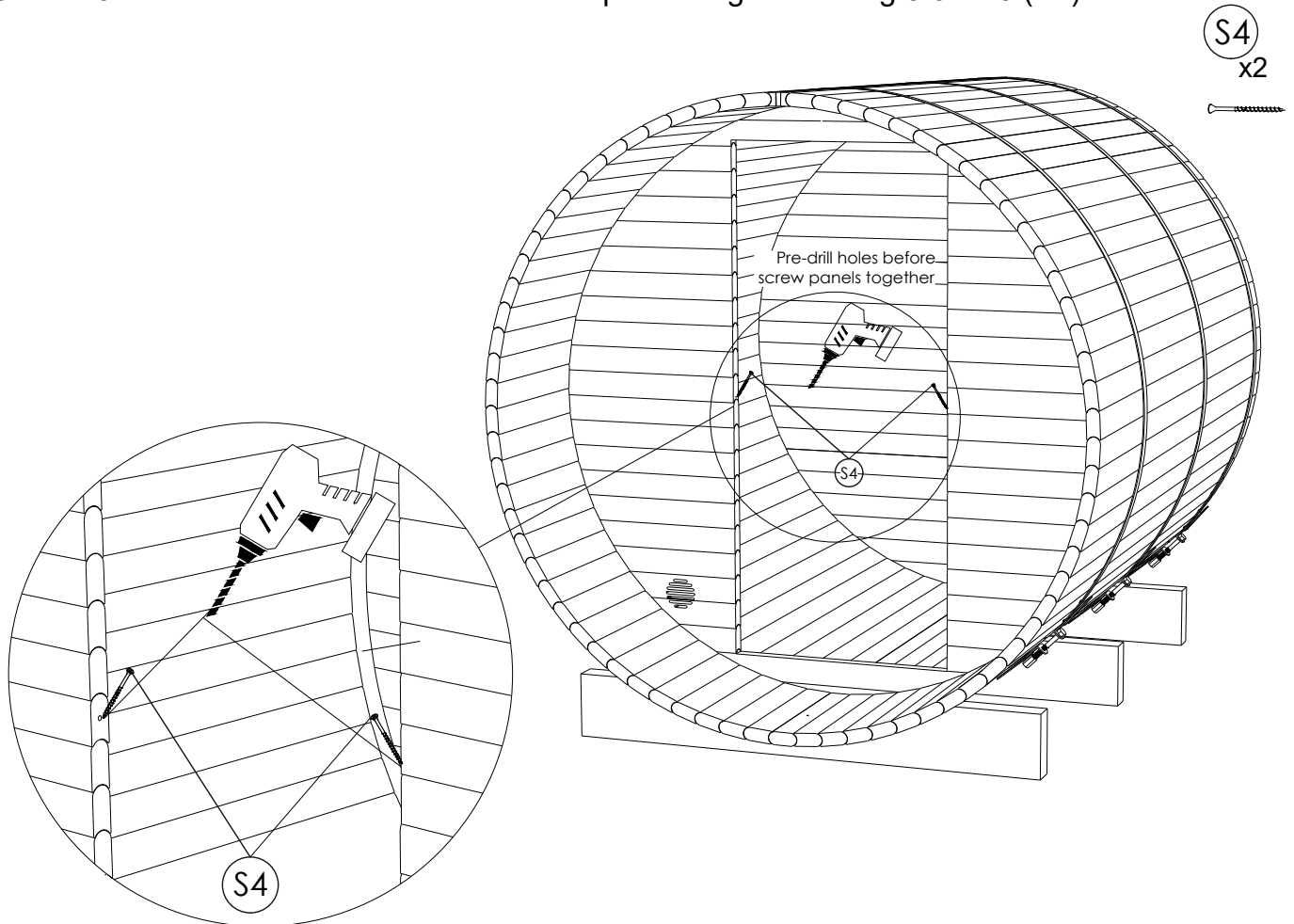
**STEP 11:** Install steel bands (I) by wrapping bands around the barrel, then connect with bolts and nuts (S9). Place steel bands evenly around the barrel approx 19.68in from terrace and 3.93in from sauna back. Bands should cover screw heads evenly. The middle band should be evenly placed from both bands. The bands should be tense, they cant be loosened.



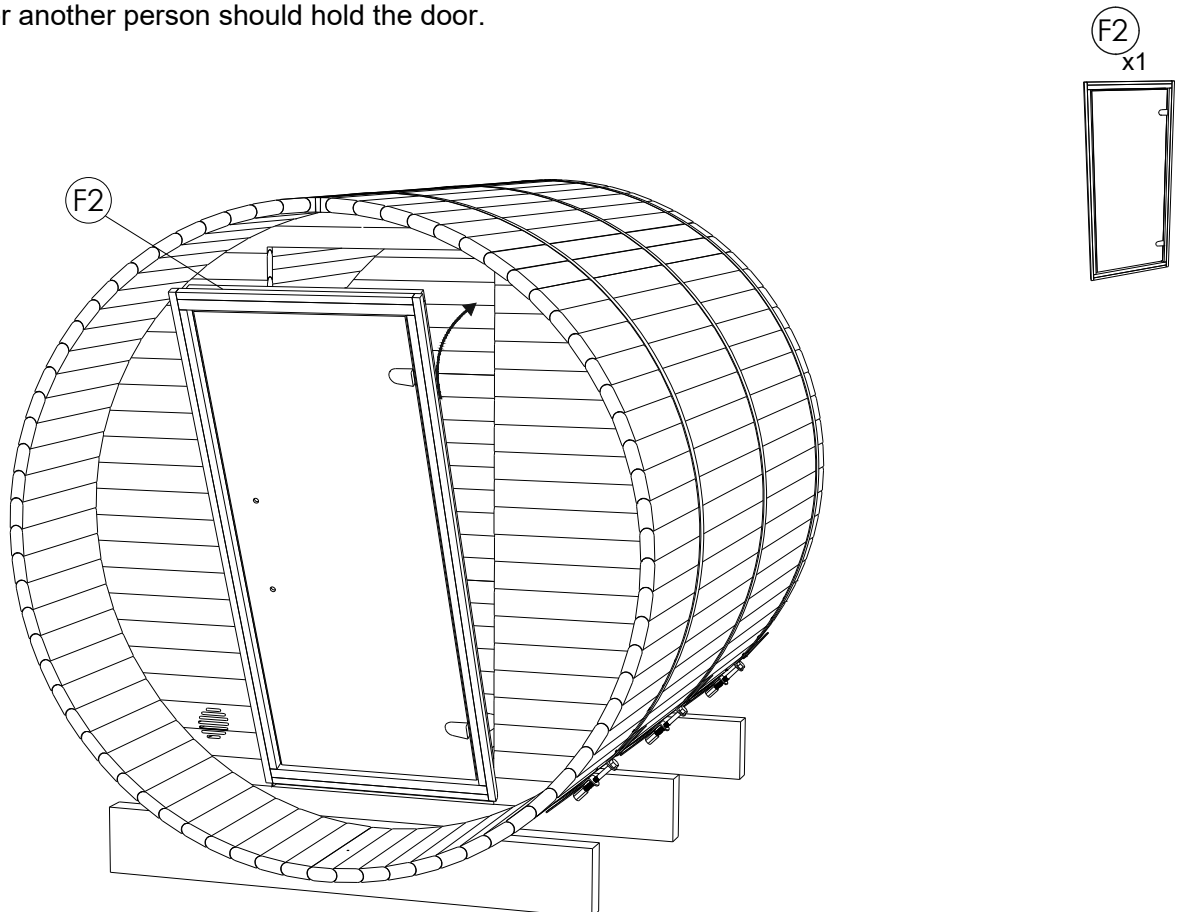
**STEP 12:** Draw straight line to connect both cuts. Use hand saw or other cutting machine to saw out excess boards for door box. It's recommended to saw out boards from inside. Fix ventilation grill (Y) from inside on ventilation cuts.



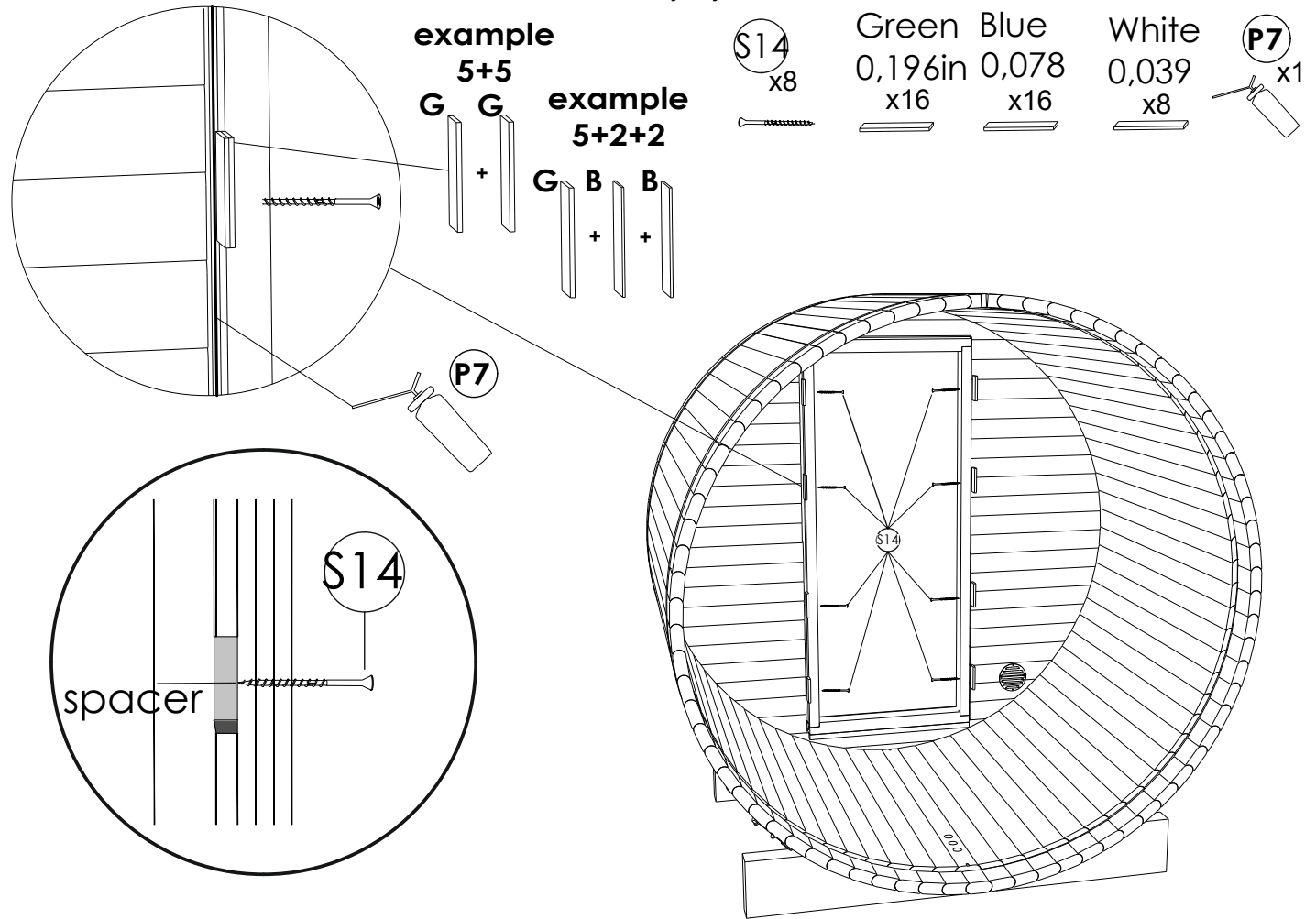
**STEP 13:** Pre-drill holes for screws. Fix both panels together using 5.0x120 (S4) screws.



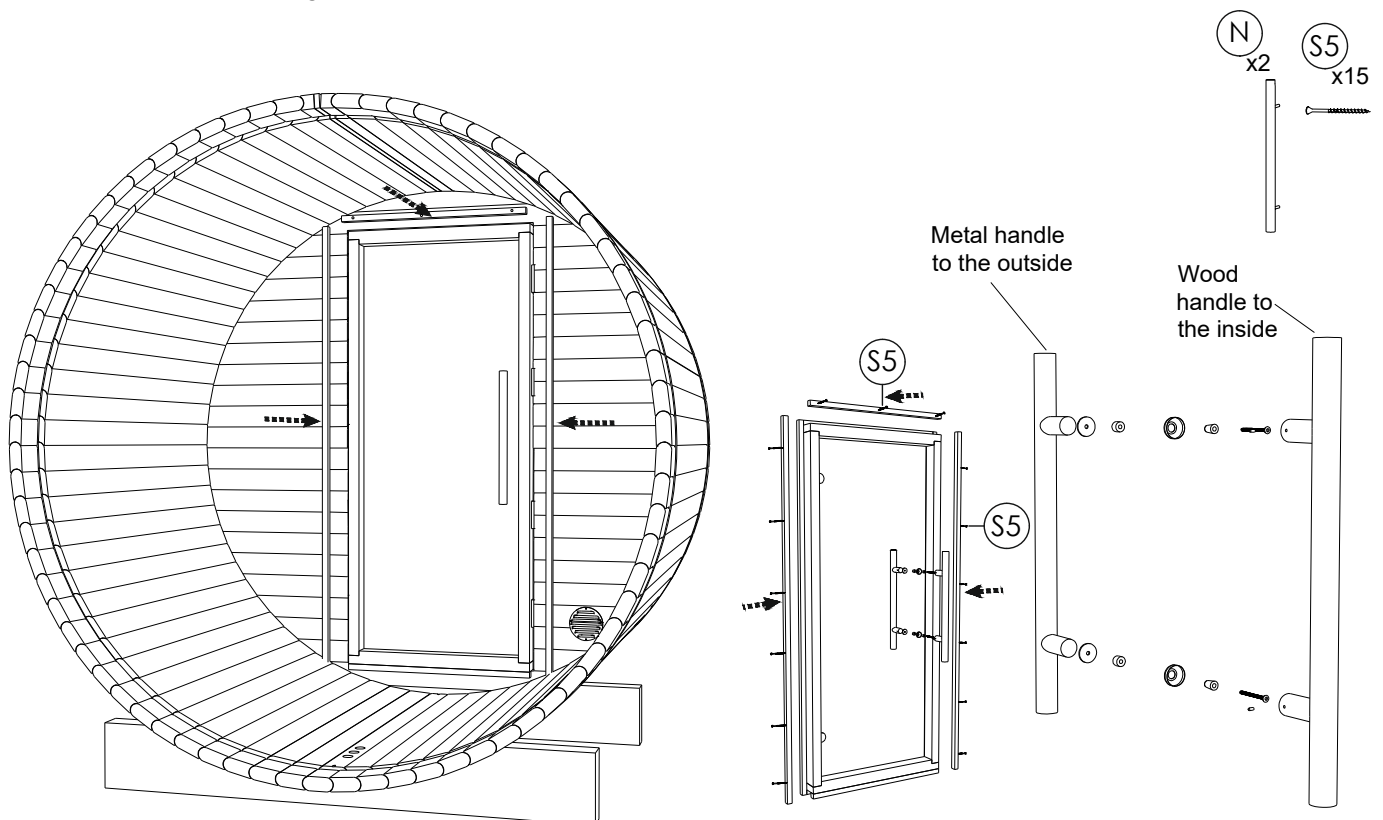
**STEP 14:** Install the doors (F2). Put the doors on threshold and lay in frame about in the middle. Fix doors with clamps or another person should hold the door.



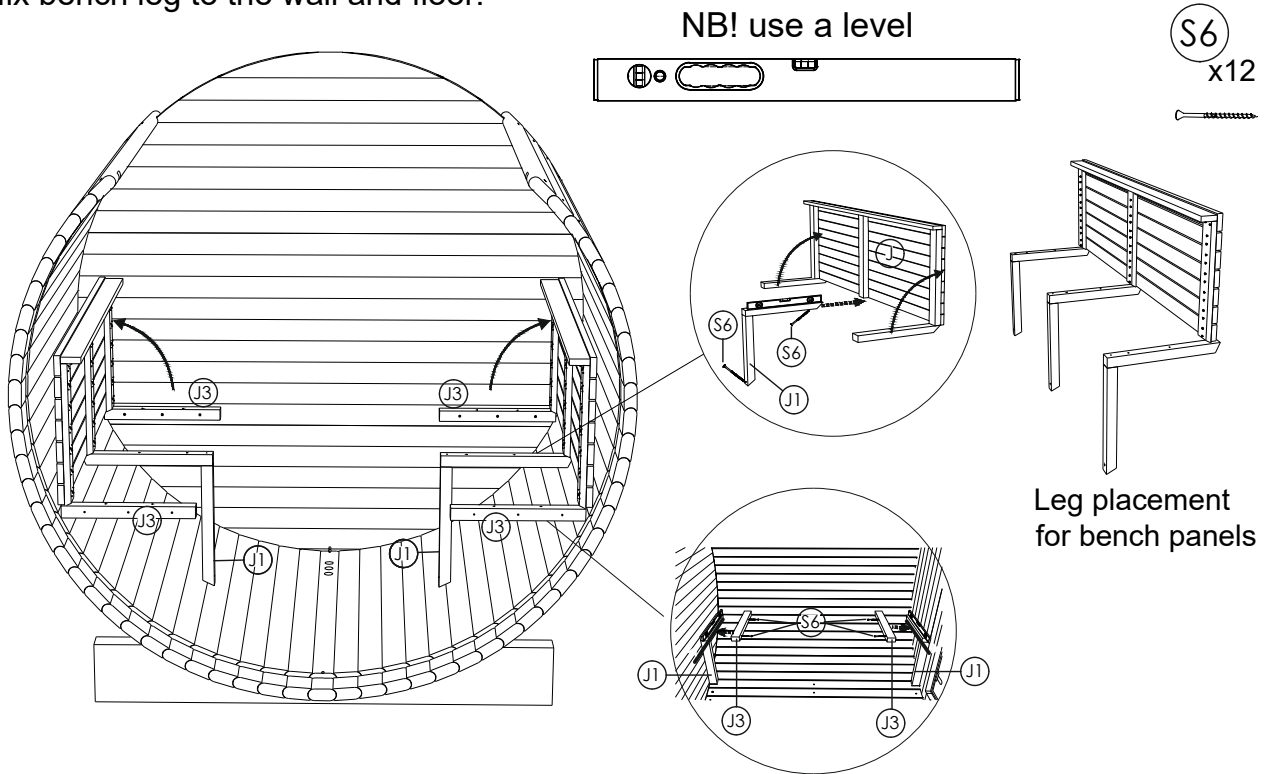
**STEP 15:** Put plastic spacers in the gap between the door box and the front panel where the screws go. Combine spacers for best width. First, fix one side of the door box with screws 5x80 (S14) through spacers. Then put spacers in other side. Combine spacers for necessary width. Spacers must fit tightly, they can't slip down before door is fixed with screws. Use screws 5x80 (S14) to fix doors. Check door box, both sides should be straight, they must not be bent inwards or outwards. Use foam around door box. Don't clean up the foam until it's dried out. The excess amount will come off easily if you don't touch it while it's wet.



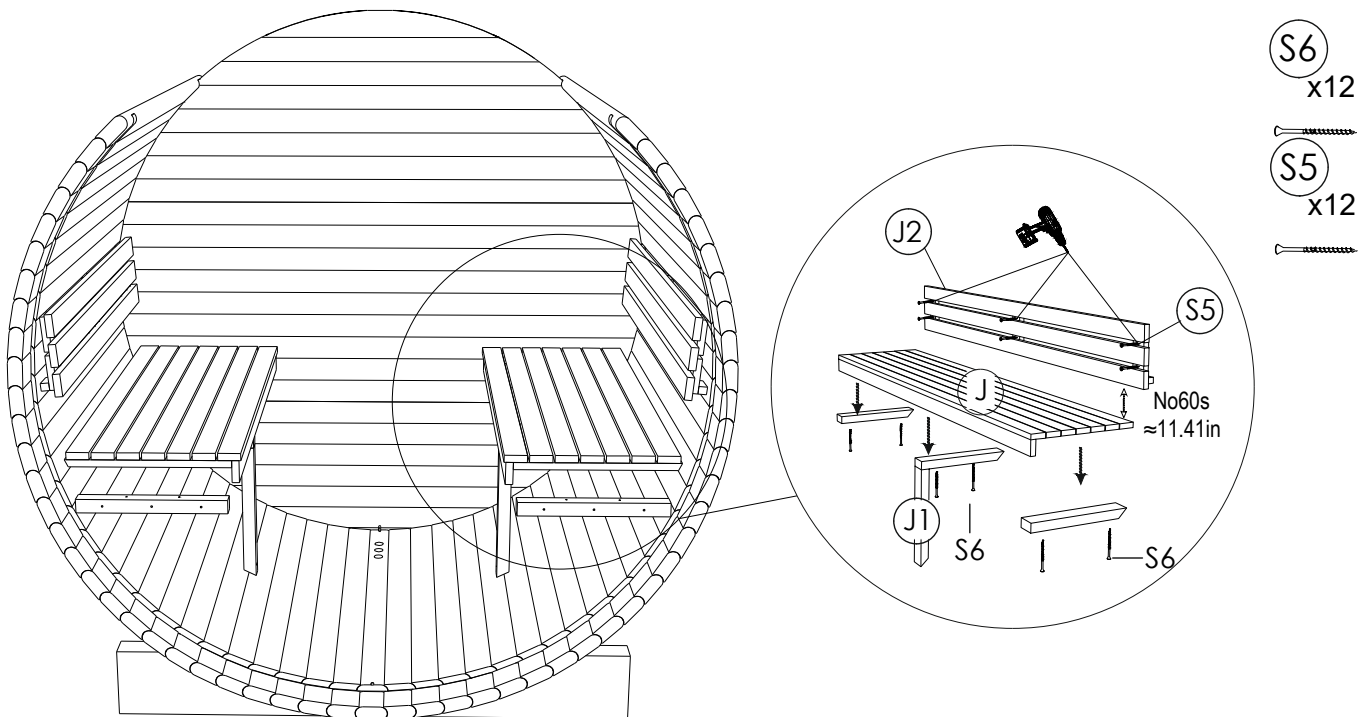
**STEP 16:** Fix door moldings to both sides and on top of the door with S5 screws 4x50ss.



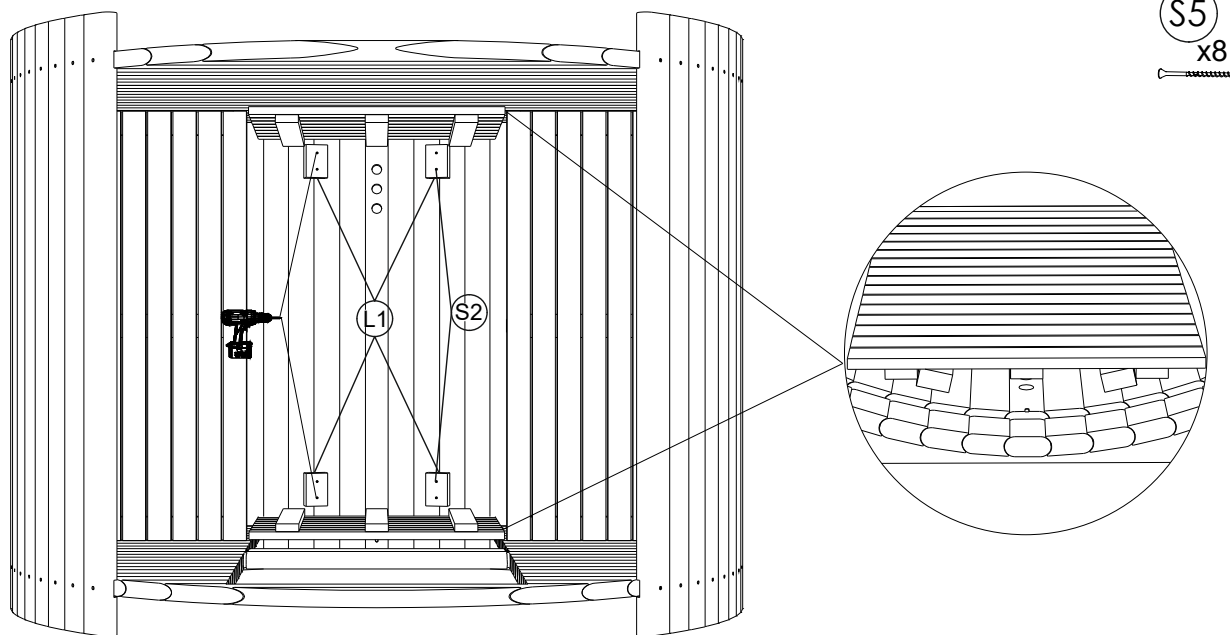
**STEP 17:** To install wall mounts (J3) use interior supporting leg (J1). Put it on the sauna wall in level, mark a line where wall mounts will stand. Using screw 5.0x70 SS (S6) fix wall mounts (J3) on the marked lines. Install interior supporting leg (J1) in the center of bench (J). Stand bench on side wall mounts. Place J1 in the center and check the level. Using screw 5.0 x 70 SS (S6) fix bench leg to the wall and floor.



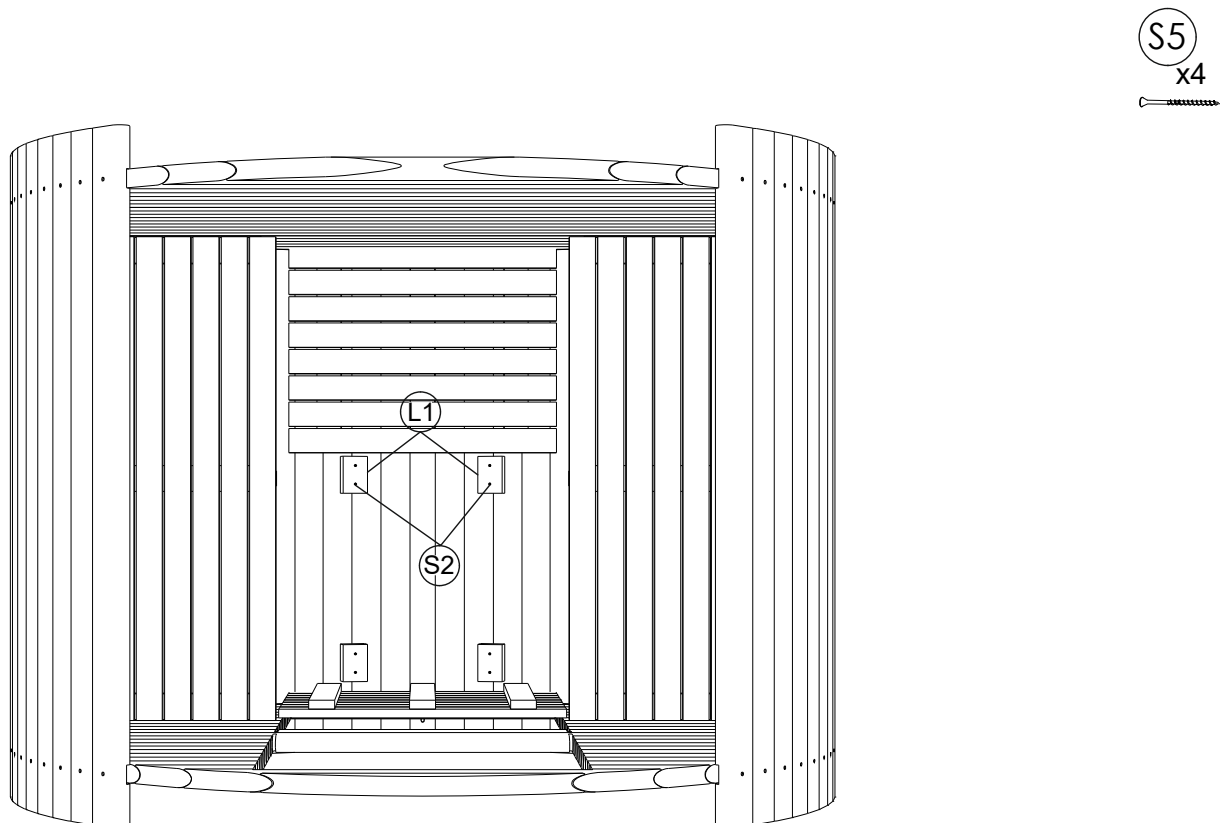
**STEP 18:** Pre-drill holes before fix backrest with screws, install backrests (J2) using screw 4.0 x 70 SS (S2). Fix sauna bench (J) to wall mounts and support leg using 5 x70 SS (S6) screws. Fix bench panel(if ordered) with screws 4.0x50SS (S5).



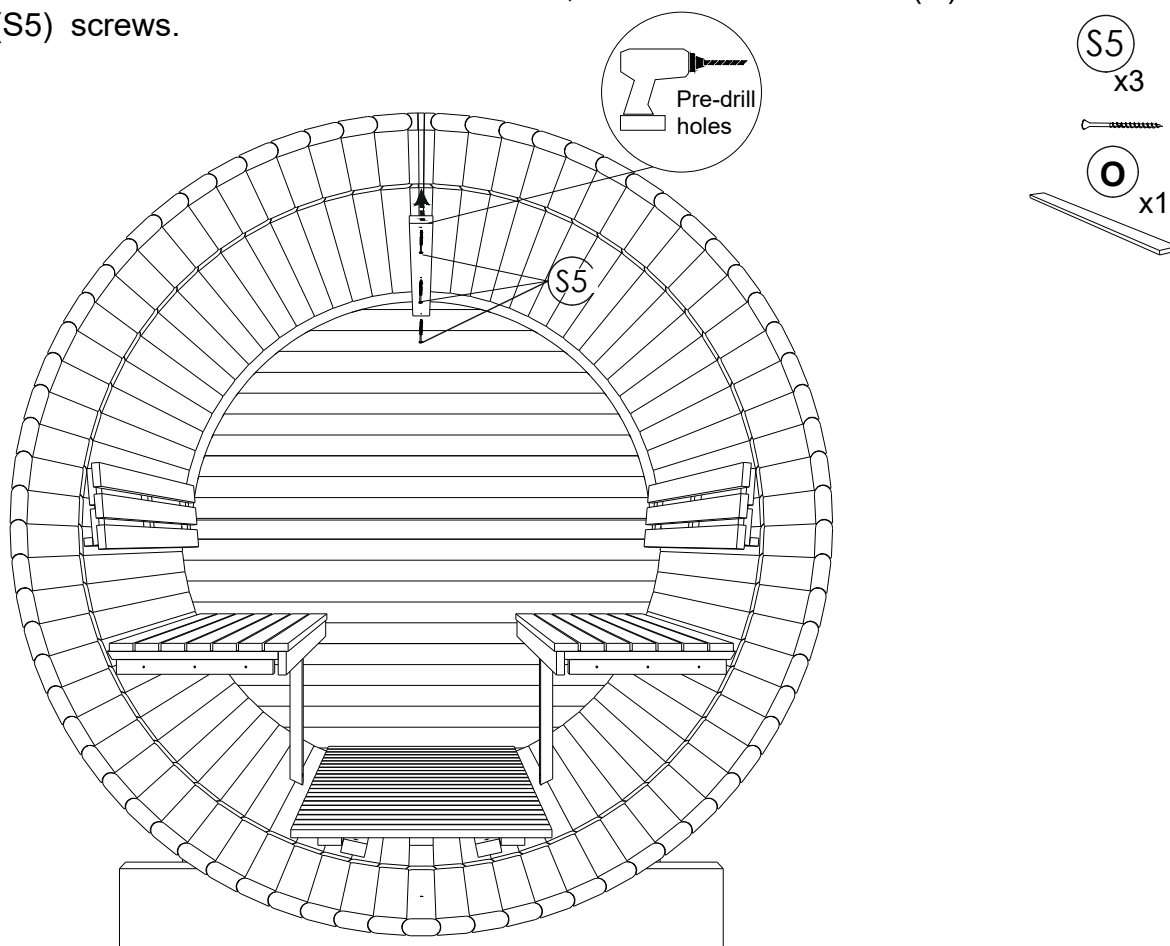
**STEP 19:** Place floor duckboards (L) to the both sides upwards and place fixing blocks next to the flooring cross boards. Pre-drill holes before fix with screws, install fixing blocks (L1) using screw or 4x50SS (S5).



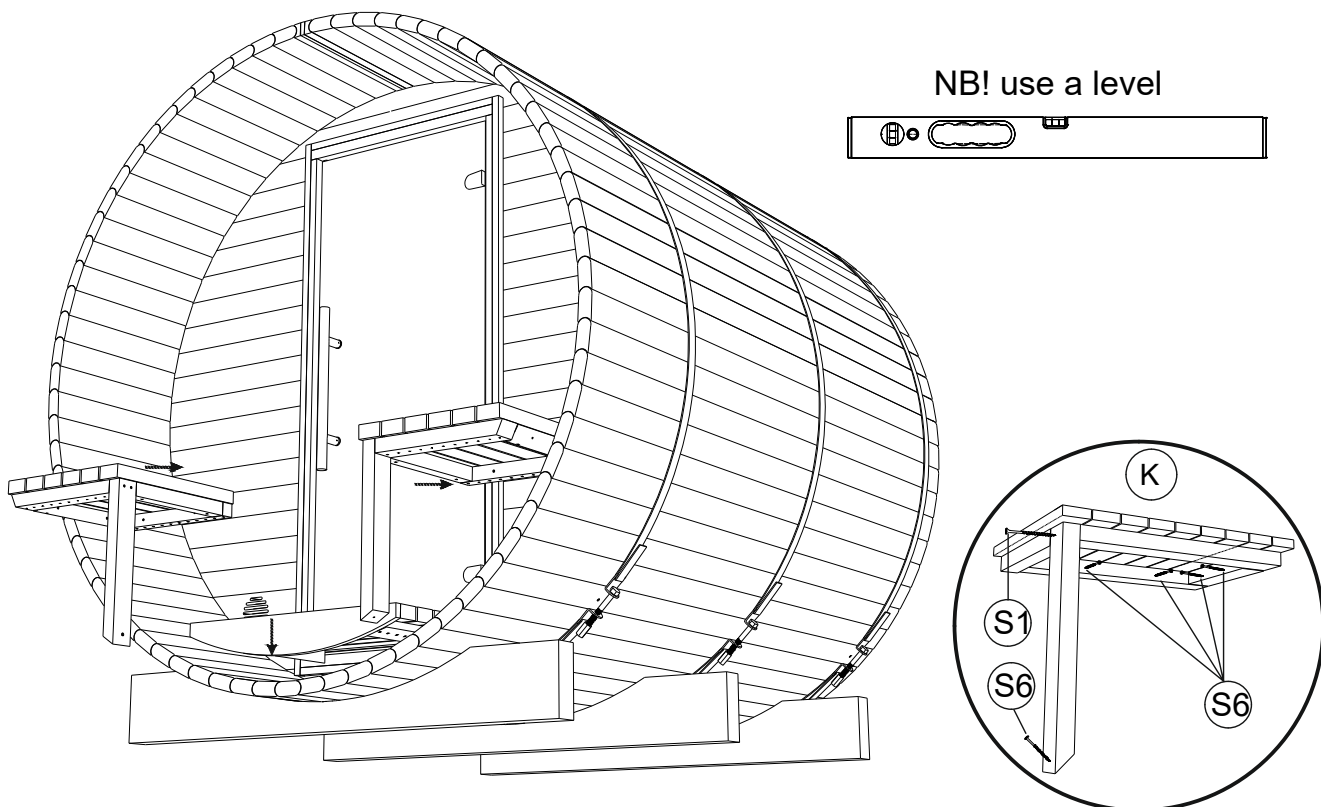
**STEP 20:** Pre-drill holes before fix with screws, install fixing blocks (L1) under floor duckboard using screw 4x50SS (S5). Place floor duckboards (L) on the floor and fix fixing blocks next to both flooring crossboards.



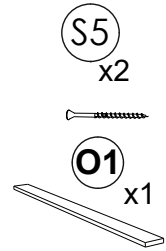
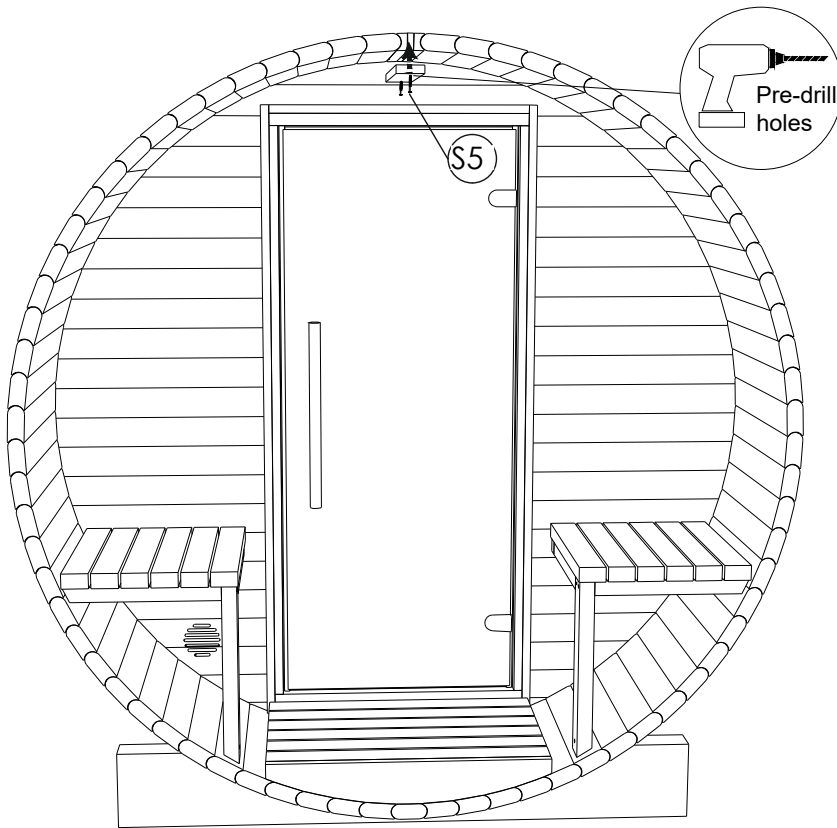
**STEP 21:** Pre-drill holes before fix stave with screws, install interior roof trim (O) in sauna with 4.0 x 50 SS (S5) screws.



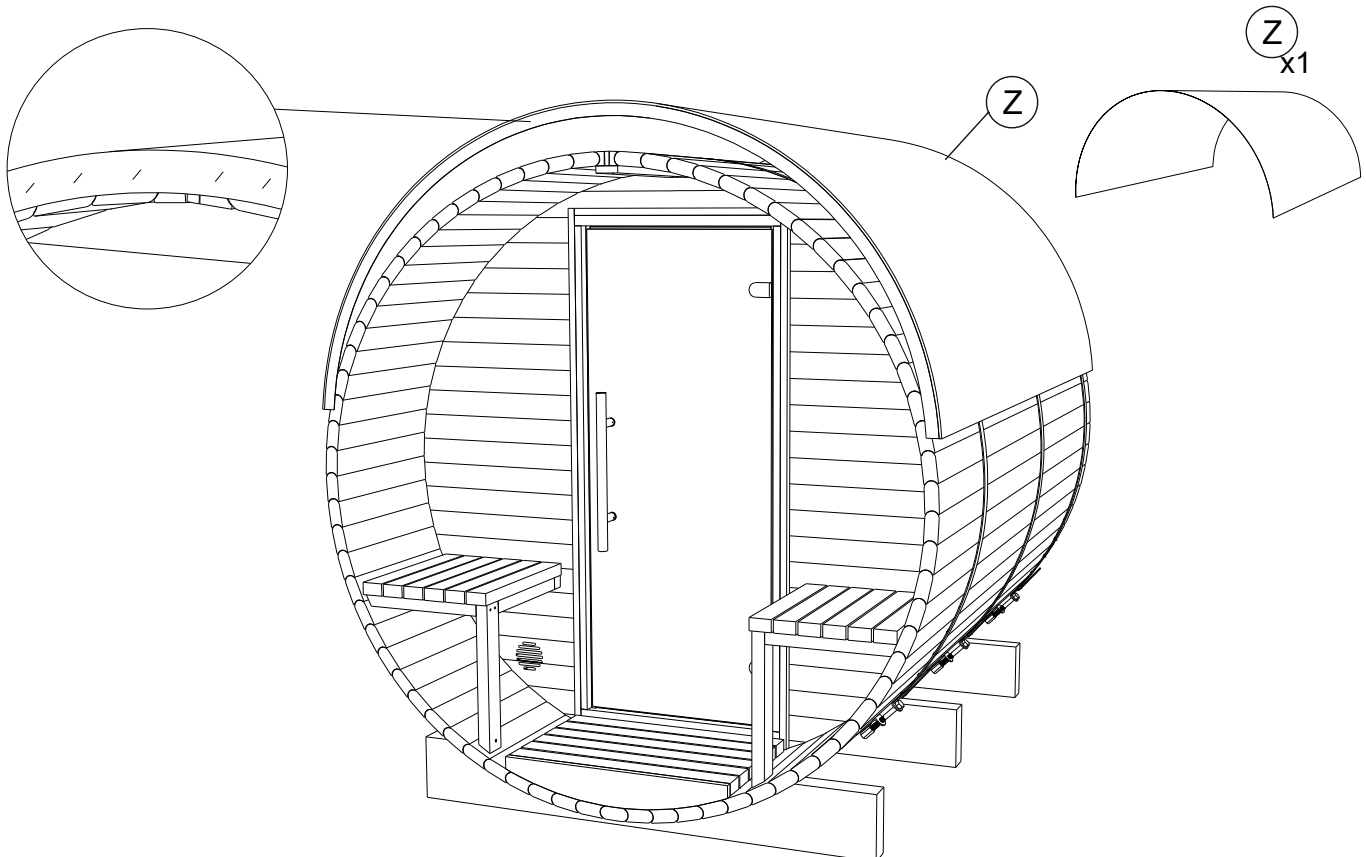
**STEP 22:** Install front and rear decorative roof finishing boards (W), fixing by screws 4.2x55(S7). Install porch benches (K), using screws 5.0 x 70 SS (S6) and 5.0 x 100 SS (S1). Hold the seat and leg assembly tight to the sauna wall. Using a level, make sure the bench seat is level from front to back. This will ensure proper placement.



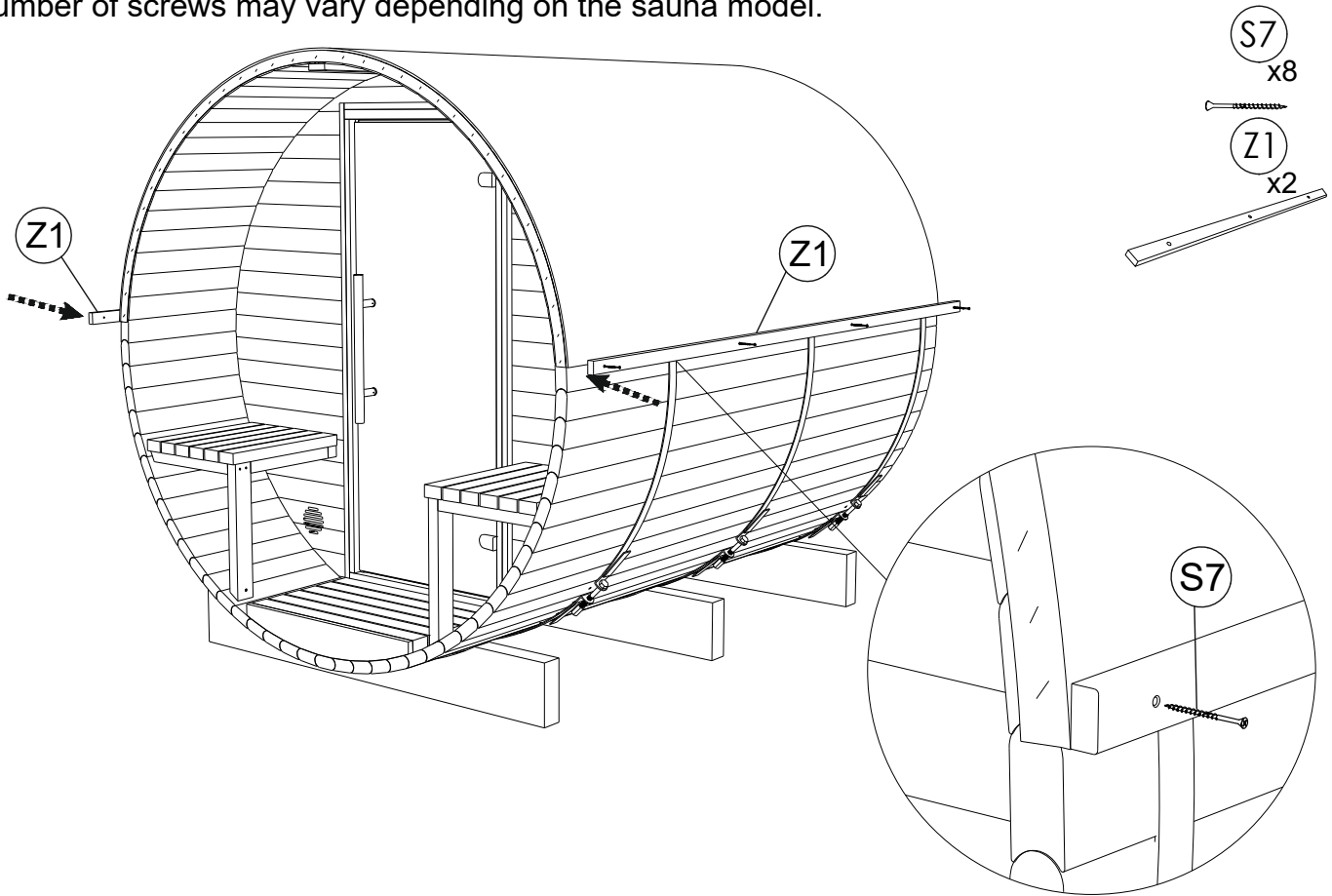
**STEP 23:** Pre-drill holes before fix stave with screws, install terrace roof trim (O1) in sauna with 4.0 x 50 SS (S5) screws.



**STEP 24:** Place waterproof PVC roof cover . Align roof cover equally to both sides. Roof cover goes about 3cm over each sides edge. Staple roof cover on the saunas edge.



**STEP 25:** Fix with wooden slats (Z1) with screws 4.2x55 (S7) on the rain jacket bottom. The number of screws may vary depending on the sauna model.



**STEP 26:** Install front and rear decorative roof finishing boards (W), fixing by screws 4.2x55(S7). Start with a center board placing it at the top of the middle of the sauna, aprox. 0,7874in above roof or 0,1969in under the roof. Then fix next boards right next to previous board.

