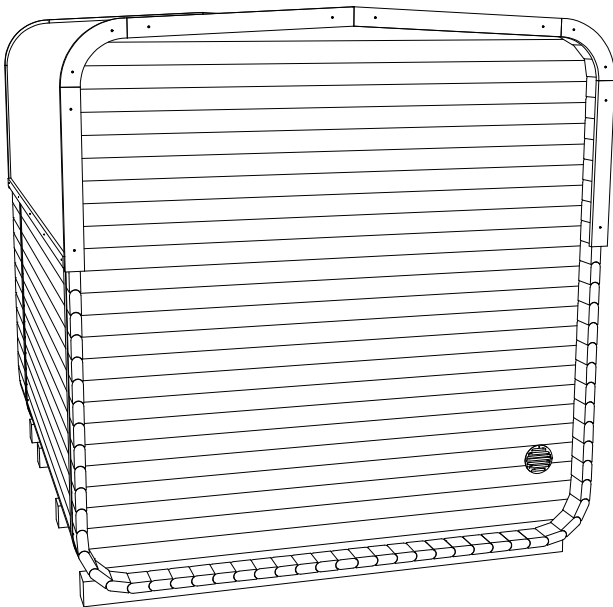
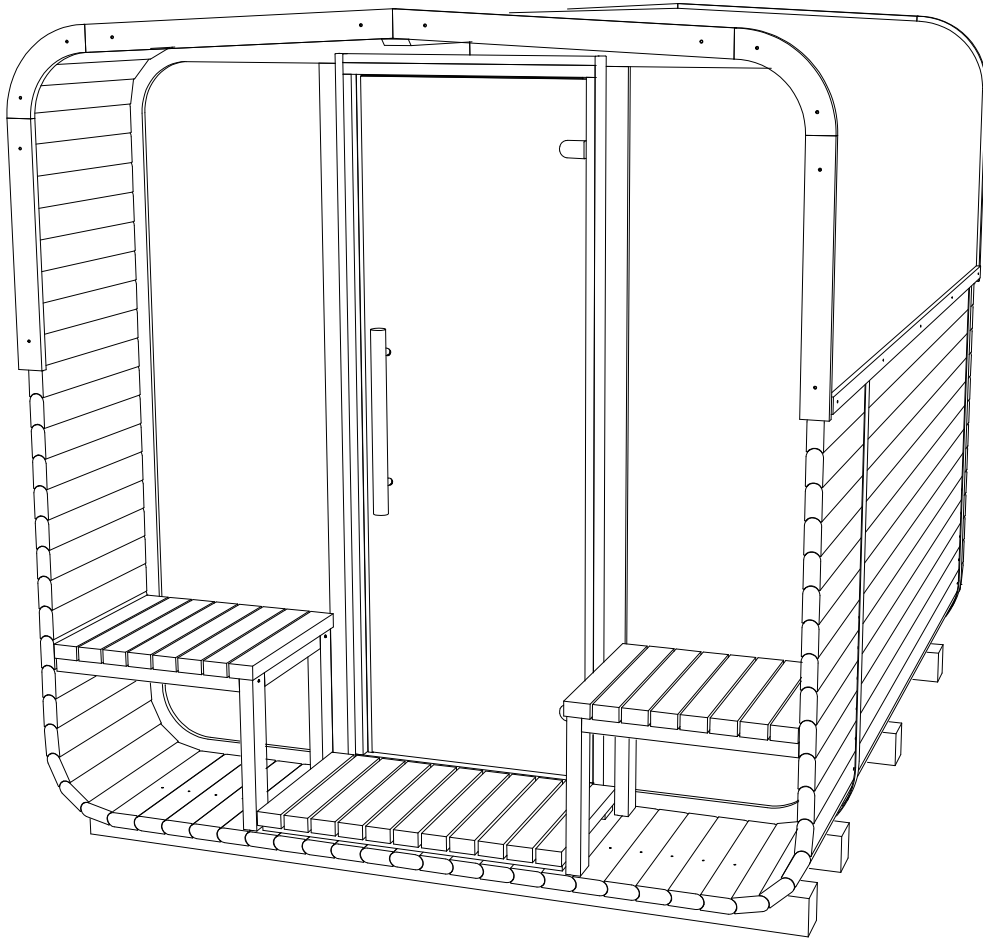
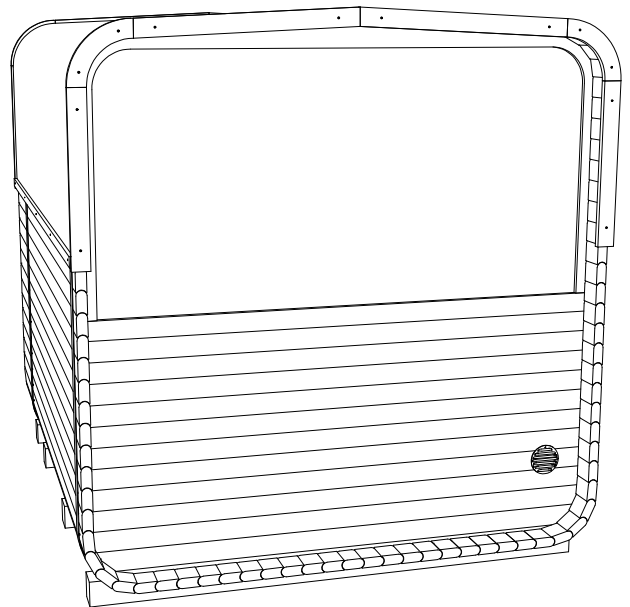


# SQUARE SAUNA ASSEMBLY INSTRUCTIONS



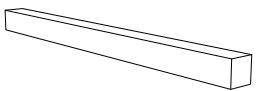
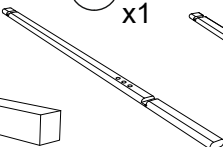
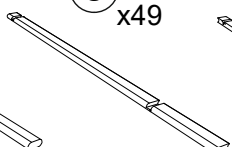
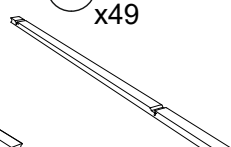
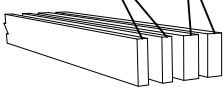
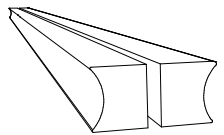
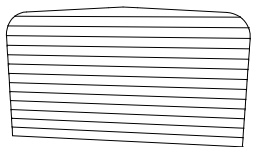

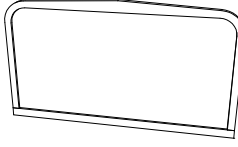
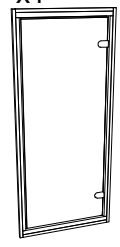

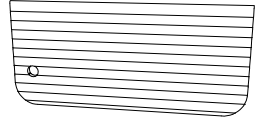
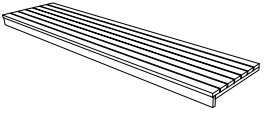
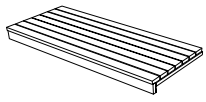
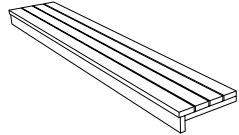
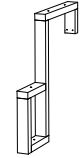
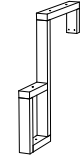
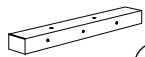
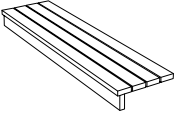
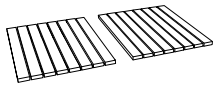

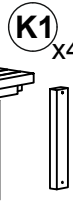
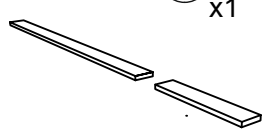
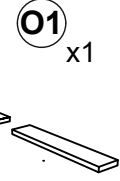
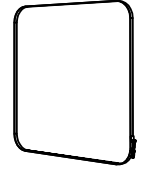
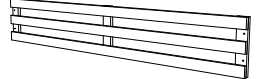
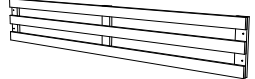
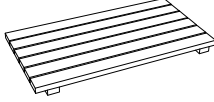




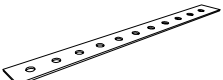

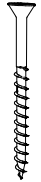

No41



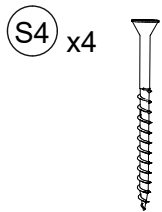
No40

**Note: Please read the manual before construction**

# PARTS LIST

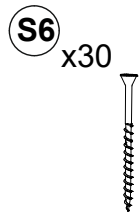
<b>A</b> x4 	<b>B</b> x1 	<b>C</b> x49 	<b>C1</b> x49 	<b>H1</b> x4 25/64in 38/64in 	<b>H</b> x2 
cradle	center stave	left body stave	right body stave	different thickness filling peaces	final H type stave at the top
<b>V3</b> x1 	<b>F</b> x2 	<b>V1</b> x1 	<b>F2</b> x1 	x2 	<b>V</b> x1 
upper rear panel	front panel	upper rear panel (panoramic)	door and door moldings		bottom rear panel
<b>J</b> x1 	<b>J4</b> x1 	<b>J5</b> x1 	<b>J1</b> x2 	<b>J1-2</b> x2 	<b>J3</b> x2 
sauna bench	sauna bench (short)	sauna bench step (long)	supporting leg for a short bench	supporting leg	support board for sauna bench
<b>J7</b> x1 	<b>L</b> x2 	<b>K</b> x2 	<b>K1</b> x4 	<b>O</b> x1 	<b>O1</b> x1 
sauna bench step (short)	sauna floor	outside benches	outside benches	roof board	roof board
<b>I</b> x2 	<b>J2</b> x1 	<b>J6</b> x1 	<b>L1</b> x3 	<b>Y</b> x1 	<b>Y1</b> x1 
metal band	backrest in front of panorama window	backrest	outside sauna floor	rubber seal for panels	ventilation grill
<b>W</b> x12 	<b>D</b> x1 	<b>S11</b> x44 	<b>S1</b> x88 	<b>S10</b> x160 	
decorative roof finishing boards	wood pin	metal bracket	screw 4.0x40	screw 5.0x100 SS	screw 4.0x60

# PARTS LIST



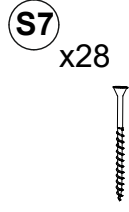
(S4) x4

screw 5.0x120



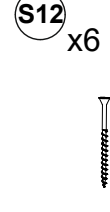
(S6) x30

screw 5.0x70 SS



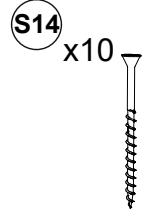
(S7) x28

screw 4.2x55 brown



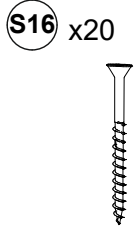
(S12) x6

screw 4.0x30



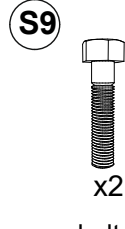
(S14) x10

screw 5.0x80



(S16) x20

screw 4.0x60SS



(S9) x2

bolt  
ø12x140



x2

hex nut  
M12 (SW19)



x4

flat washer



x12  
13/64

green



x10  
5/64

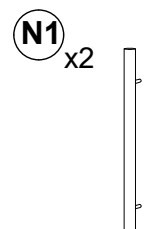
blue



x10  
3/64

white

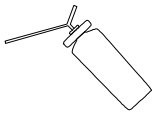
door box spacers



(N1) x2

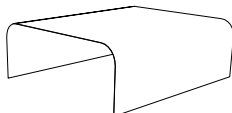
door handle

(P7) x1



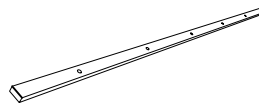
spray foam

(Z) x1



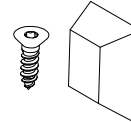
waterproof roof cover

(Z1) x2



slat for roof cover

x1



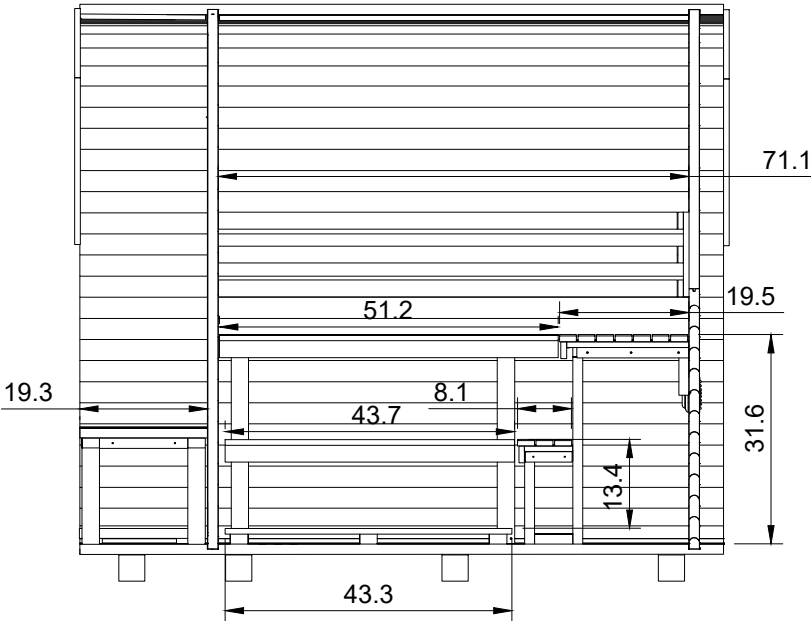
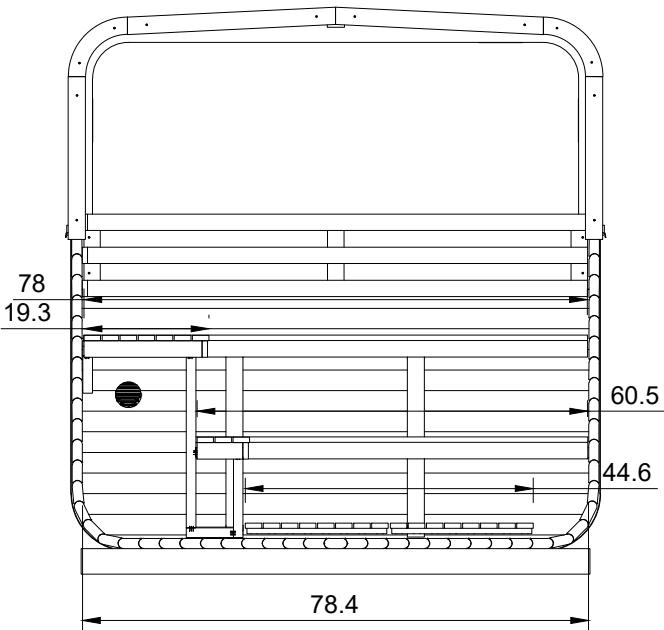
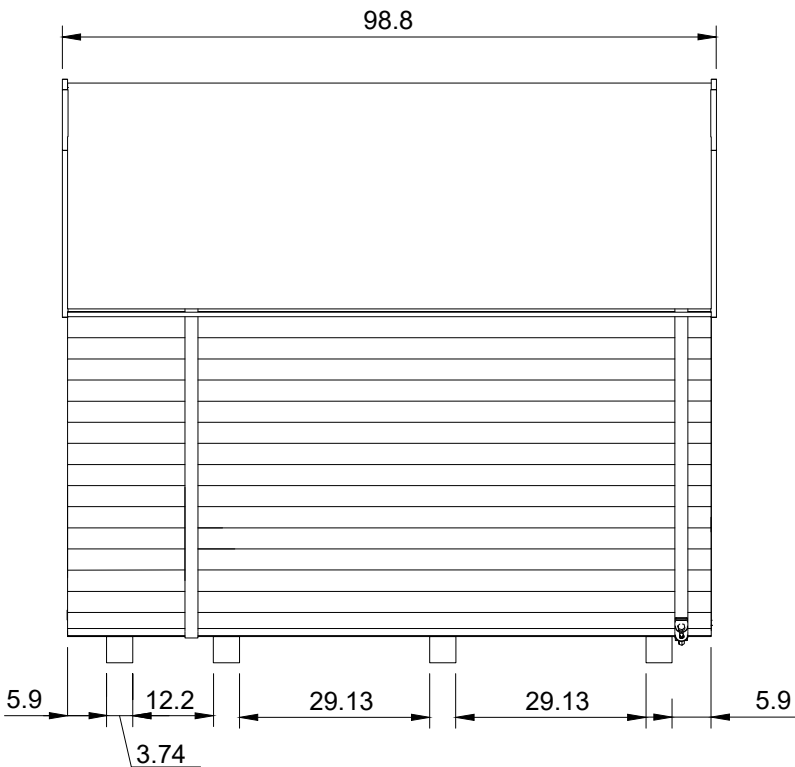
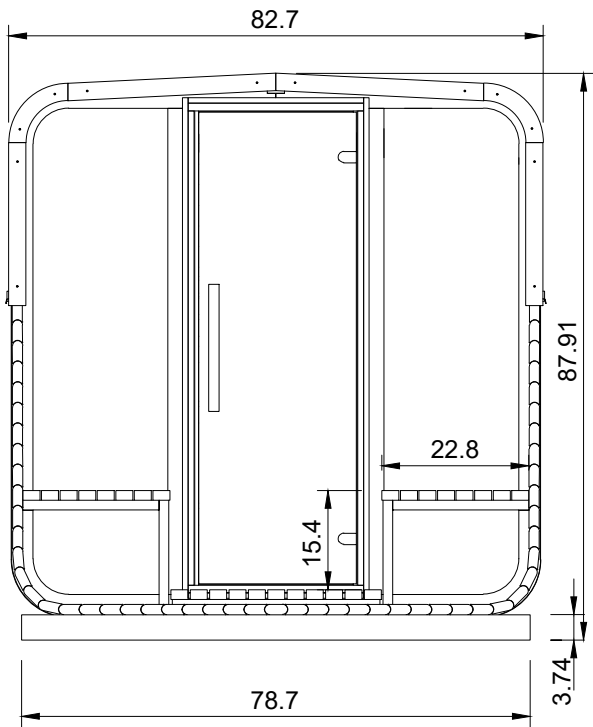
door stop rubber

## REQUIRED TOOLS

	Tape measure		Cutting knife		Drills $\varnothing^{5/32-25/64}$ in
	Pencil		Battery drill		Wrench $7^{31/64}$
	Level		Nail gun		Vise
	Rubber mallet		Hex keys		Caulking gun (bitumen roof mastic)
	Hammer		Gloves		Recommended - 2 person
	Stapler		Safety goggles		

Before you begin, be sure the sauna will fit in your chosen location.  
 Be sure the site is level and free of standing water after rainfall.  
 Concrete, pavers or crushed stone is preferred.  
 Check parts before construction.

# Sauna Dimensions

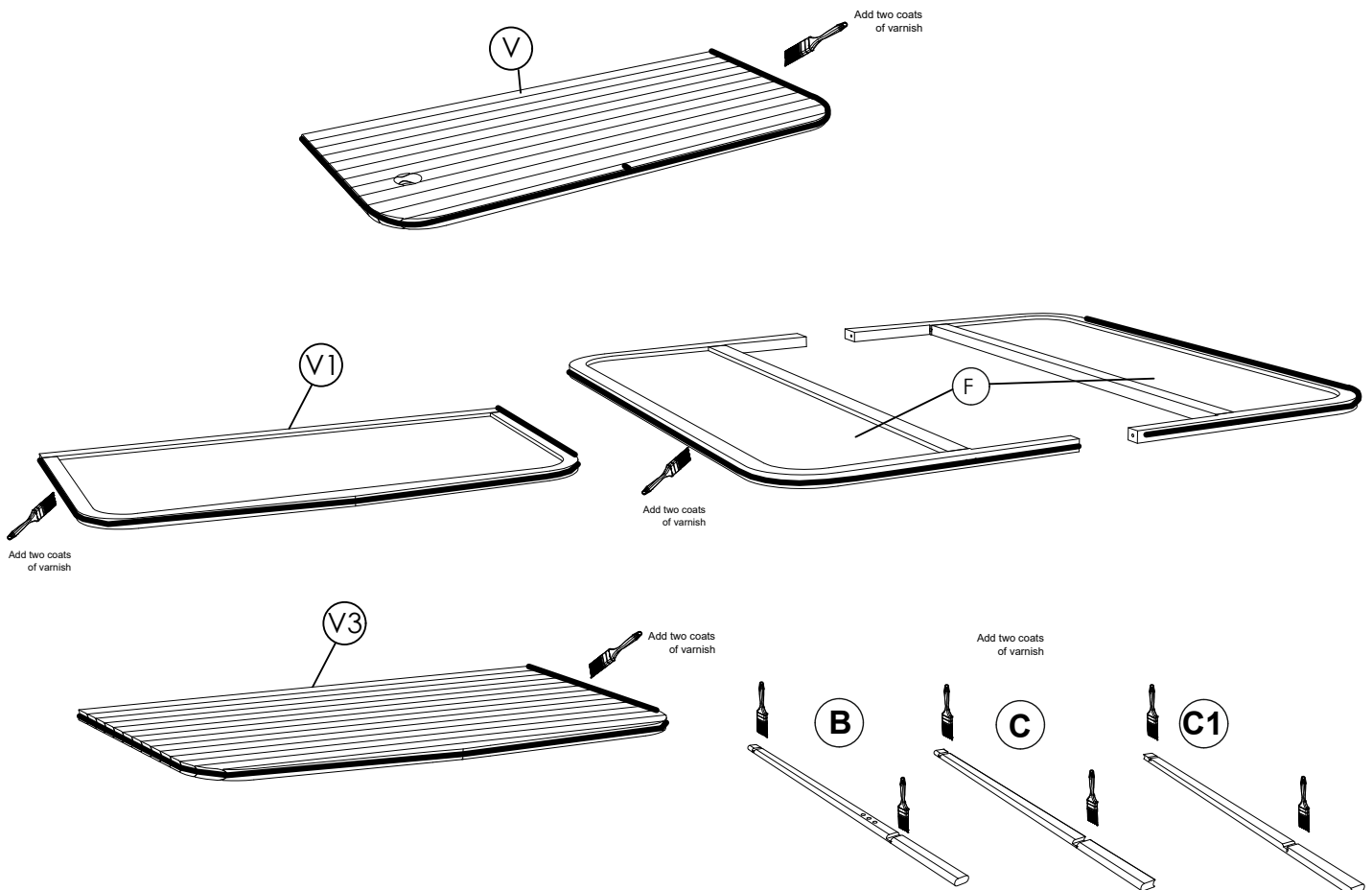
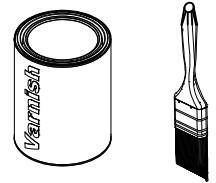


The dimensions on the drawings are informative, rounded values.

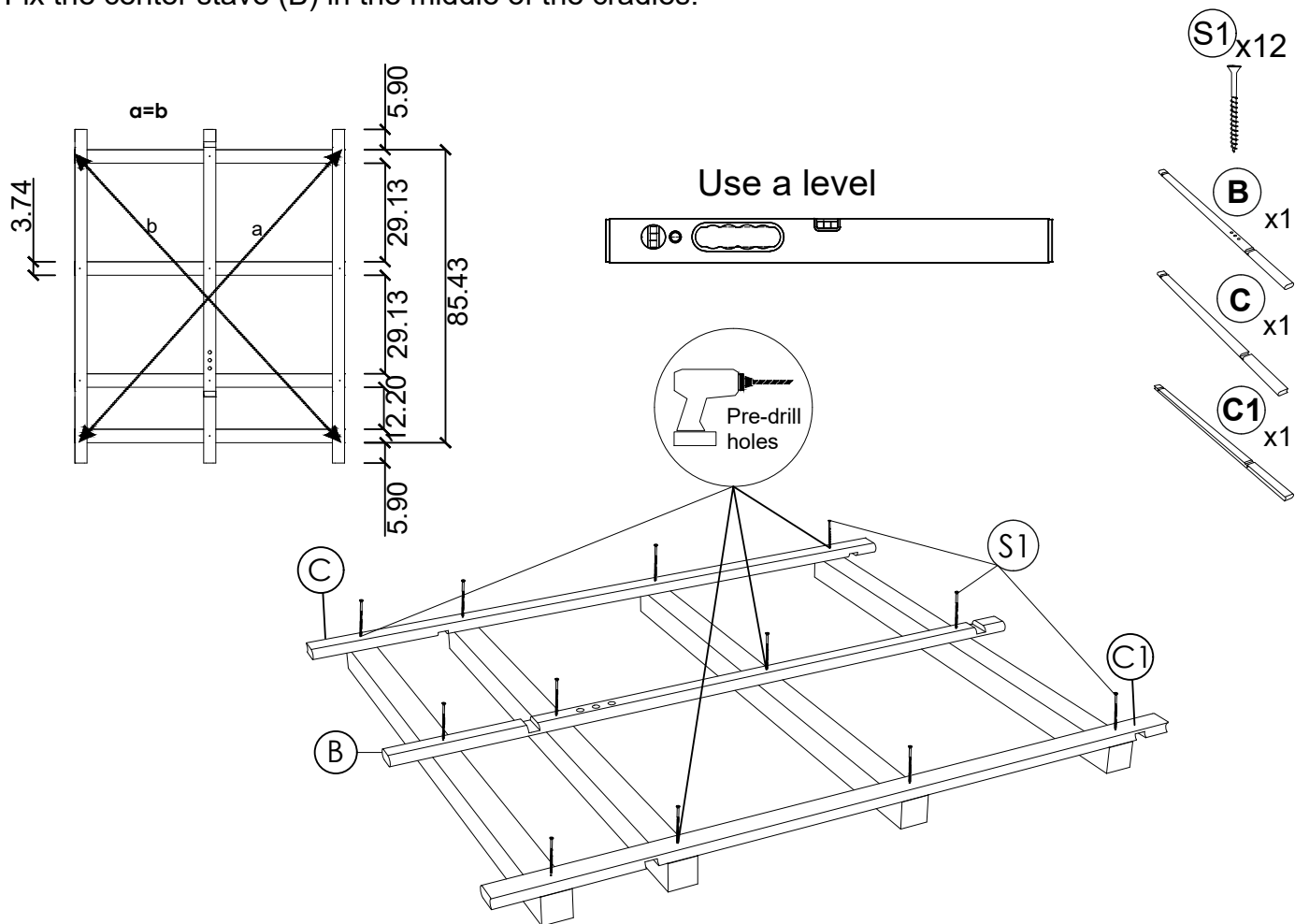
## RECOMMENDATION

1. It is recommended to install the sauna above ground level to prevent the base frame of the sauna from coming into direct contact with the ground. Install a water-resistant material, such as bitumen strips, between the base frame and the base surface.
2. Make sure that the surface on which you install the sauna is level and stable before and after installing the sauna. Otherwise, the doors of the sauna may not open and close properly later on.
3. During the first heating of the sauna, it must be constantly supervised, and the doors should be kept open, as the stove emits a specific odor when first heated. Read more from the user manual for the sauna stove.
4. The maximum permitted temperature in the steam room is +90 °C. If heated to a higher temperature, the sauna may become overheated.
5. In order to avoid damage caused by the weight of snow in winter, any snow should be removed from the roof of the sauna. Keep in mind that the roof covering should not be damaged during snow removal.

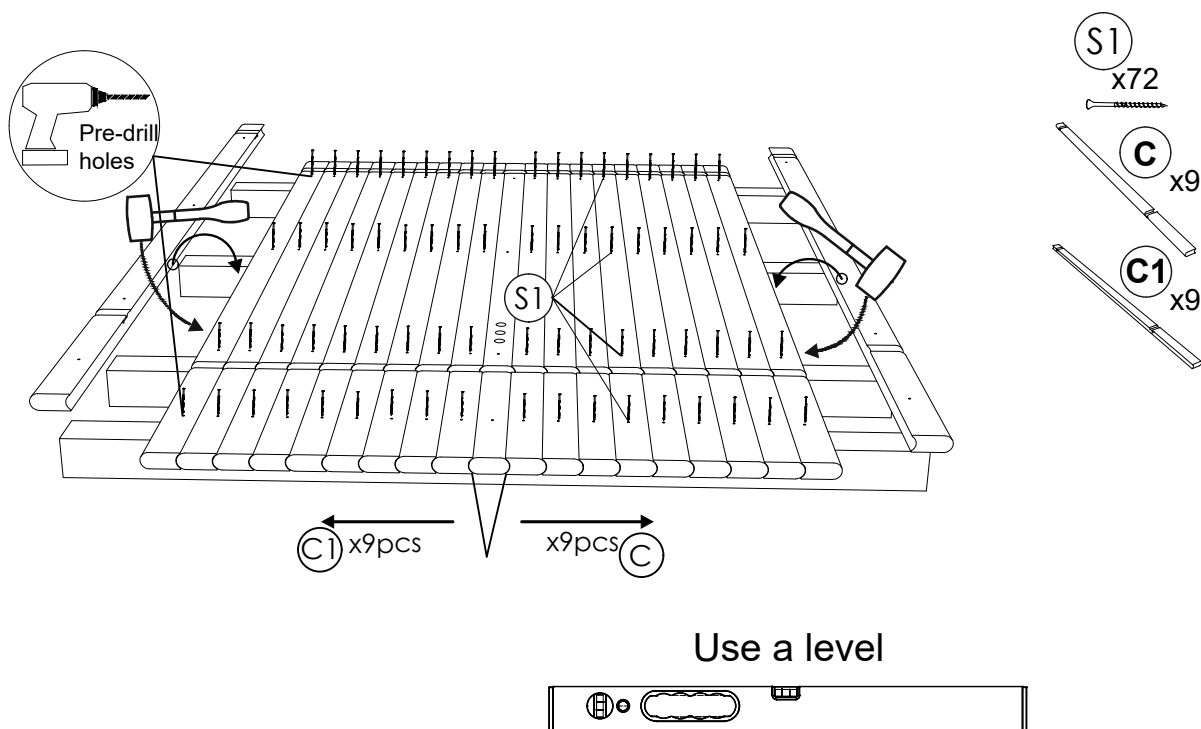
**Before start to build the sauna, first apply two coats of wood varnish to the sides of each panel**



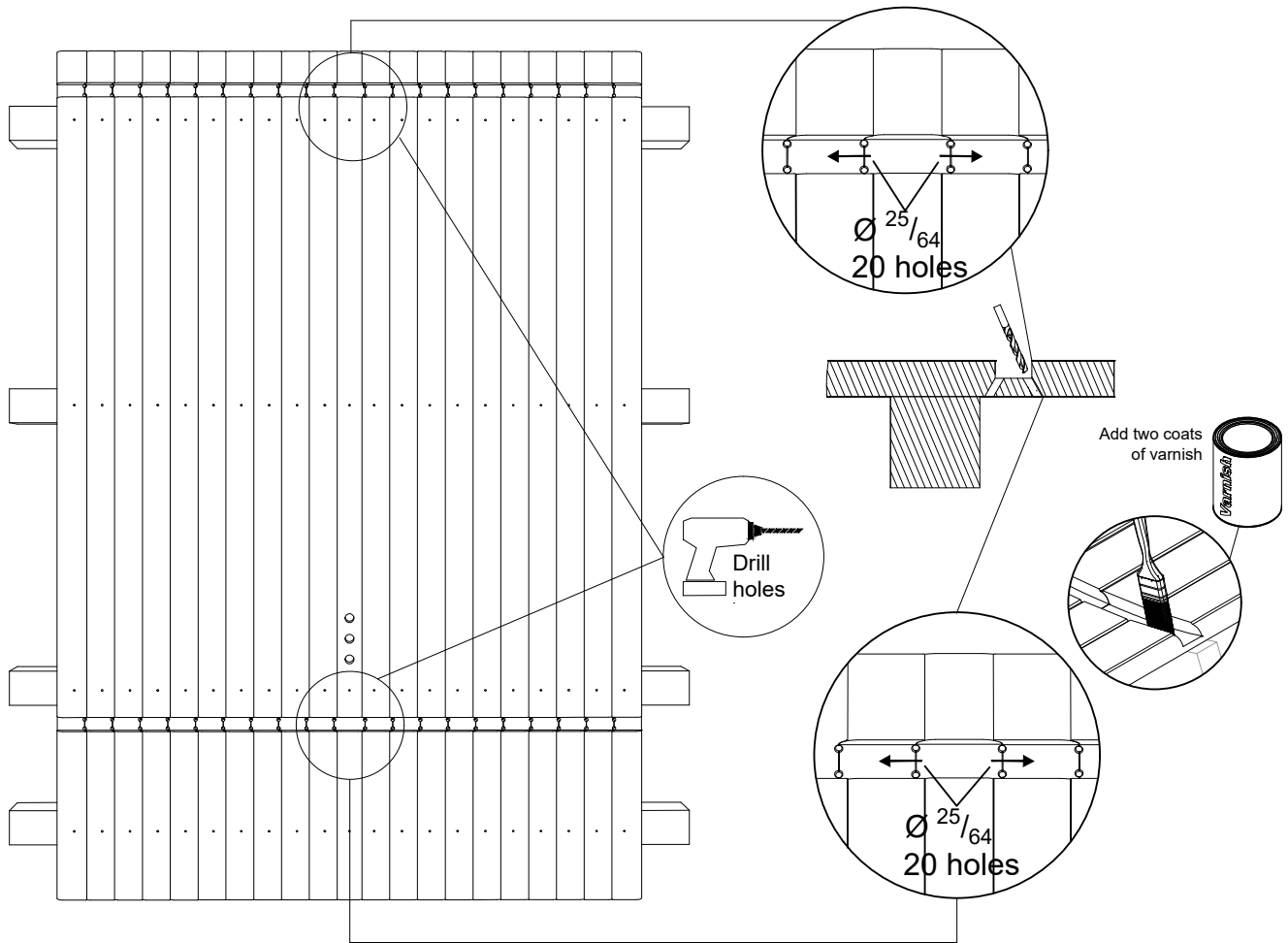
**STEP 1:** Place cradles on prepared surface. The base for sauna cradles must be leveled and sturdy. Measure diagonally from corner to corner. Measurements "a" and "b" should be equal. The distance between cradles are in picture. Fix staves on both sides of the cradles to prevent any change in measurements. Check levels again. Pre-drill holes before fix staves with screws. Fix the center stave (B) in the middle of the cradles.



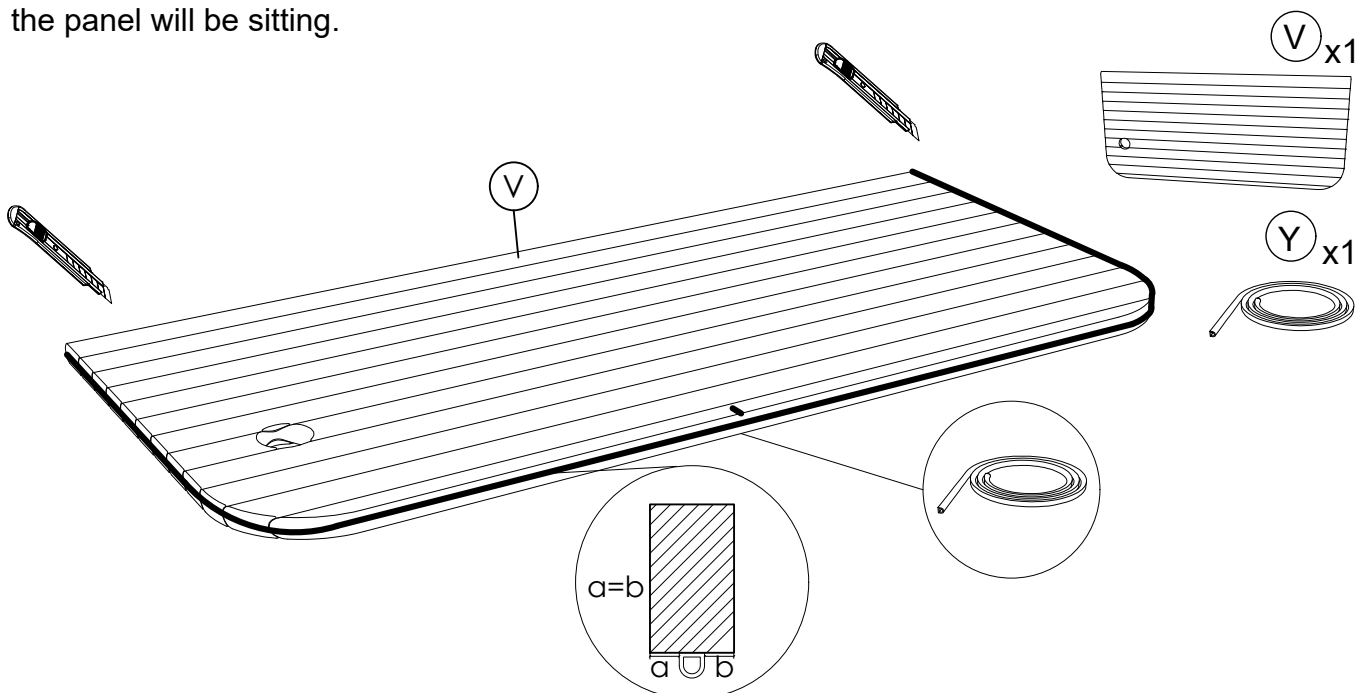
**STEP 2:** Fix 9 staves (C; C1) to each side from the center stave. Check level while installing staves and use rubber hammer for tighter placement. Pre-drill holes for screws. After 9 staves are fixed, take of side staves and fix them.



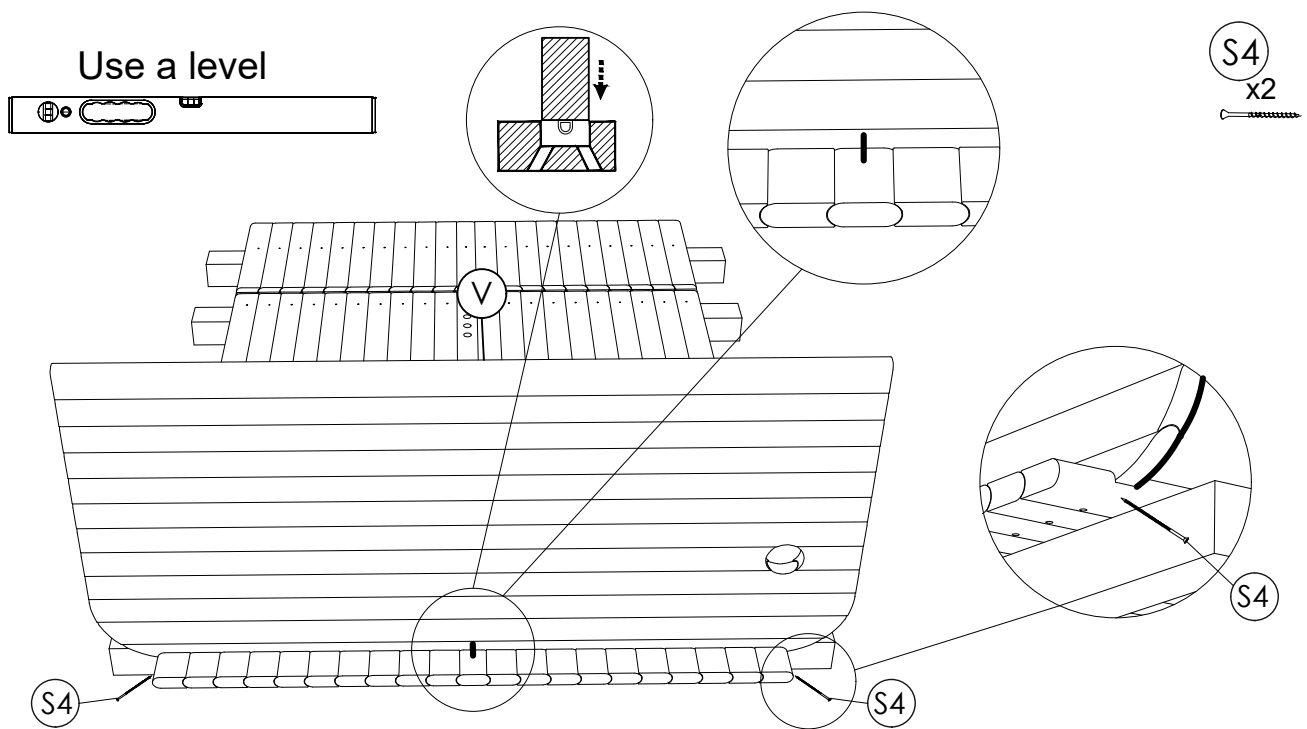
**STEP3:** Drill forty  $\frac{25}{64}$  holes in front and back wall groove to the out-side in board connections as shown in the picture. Drill them in  $\approx 30^\circ$  angle. This will help drain excess water faster. Clean the groove from wood waste and ather dirt. Cover the grooves with varnish.



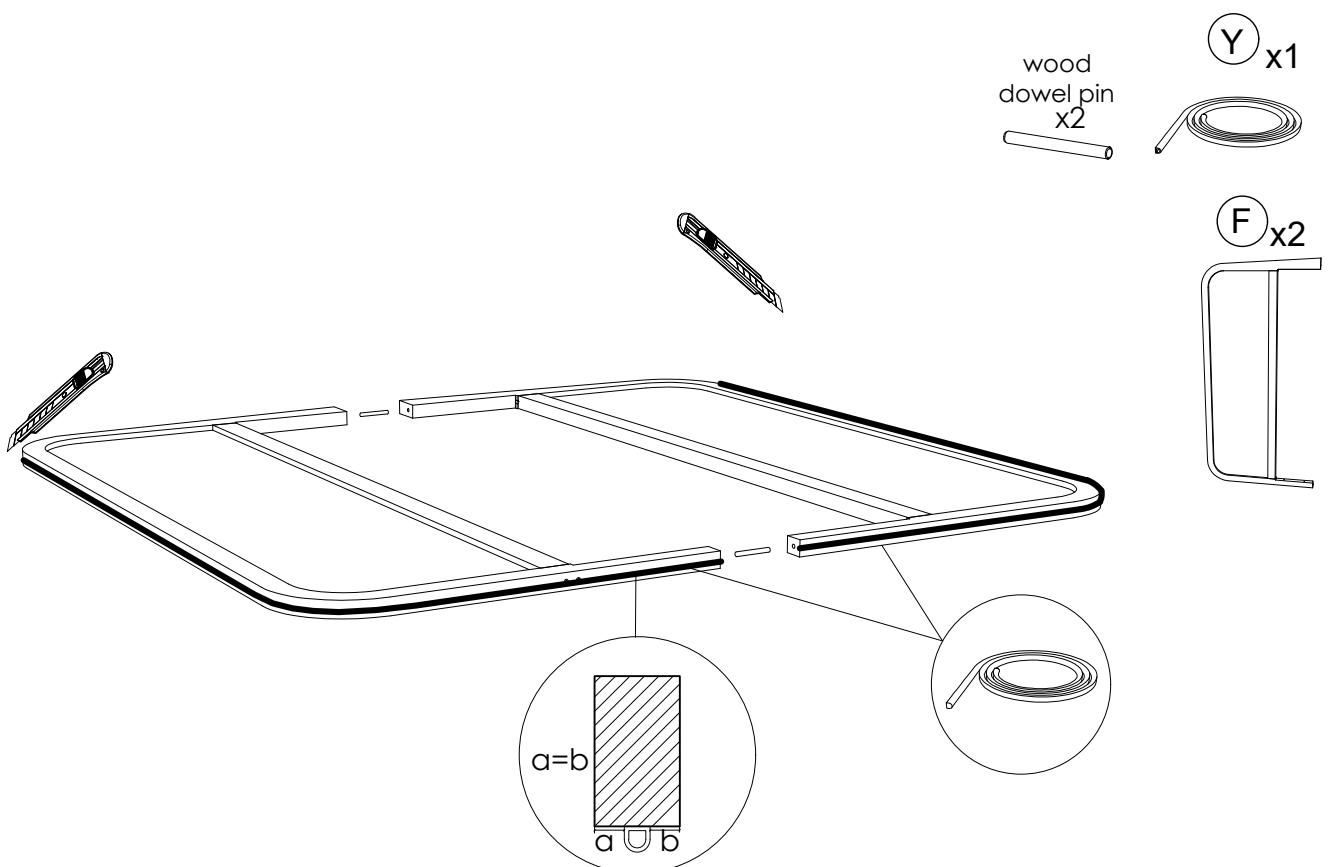
**STEP 4:** Attach rubber seal on the middle of the rear panel side edge and cut it at the end of the panel top. See next step to understand panel placement. At the bottom of the rear panel (V), draw a line where the centre of the panel is. Do the same on the centre stave of the floor, where the panel will be sitting.



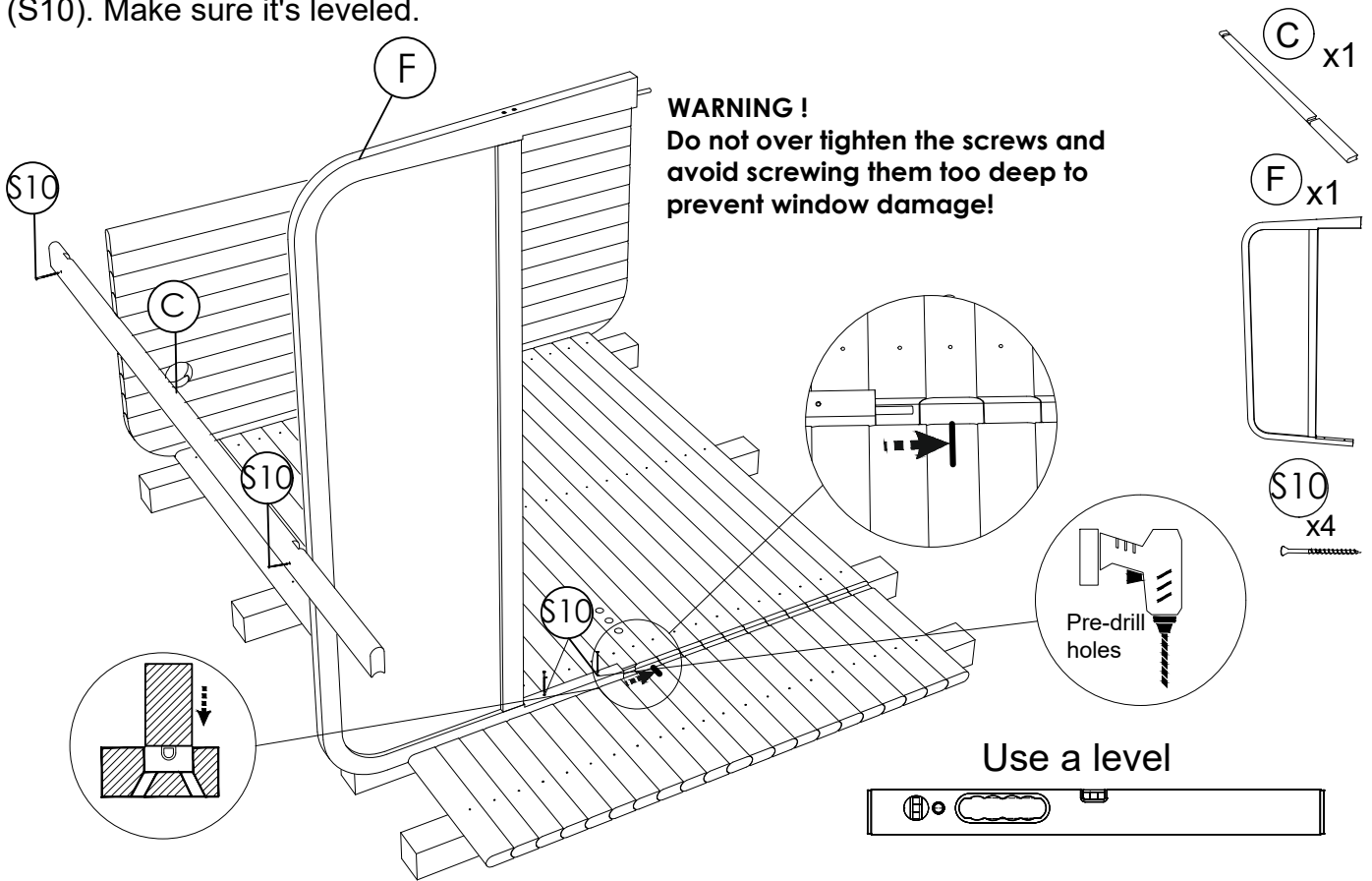
**STEP 5:** Place rear bottom panel (V) in the board groove. Check that the panel is level. Secure panel with screws (S1) at the both corners through the stave.



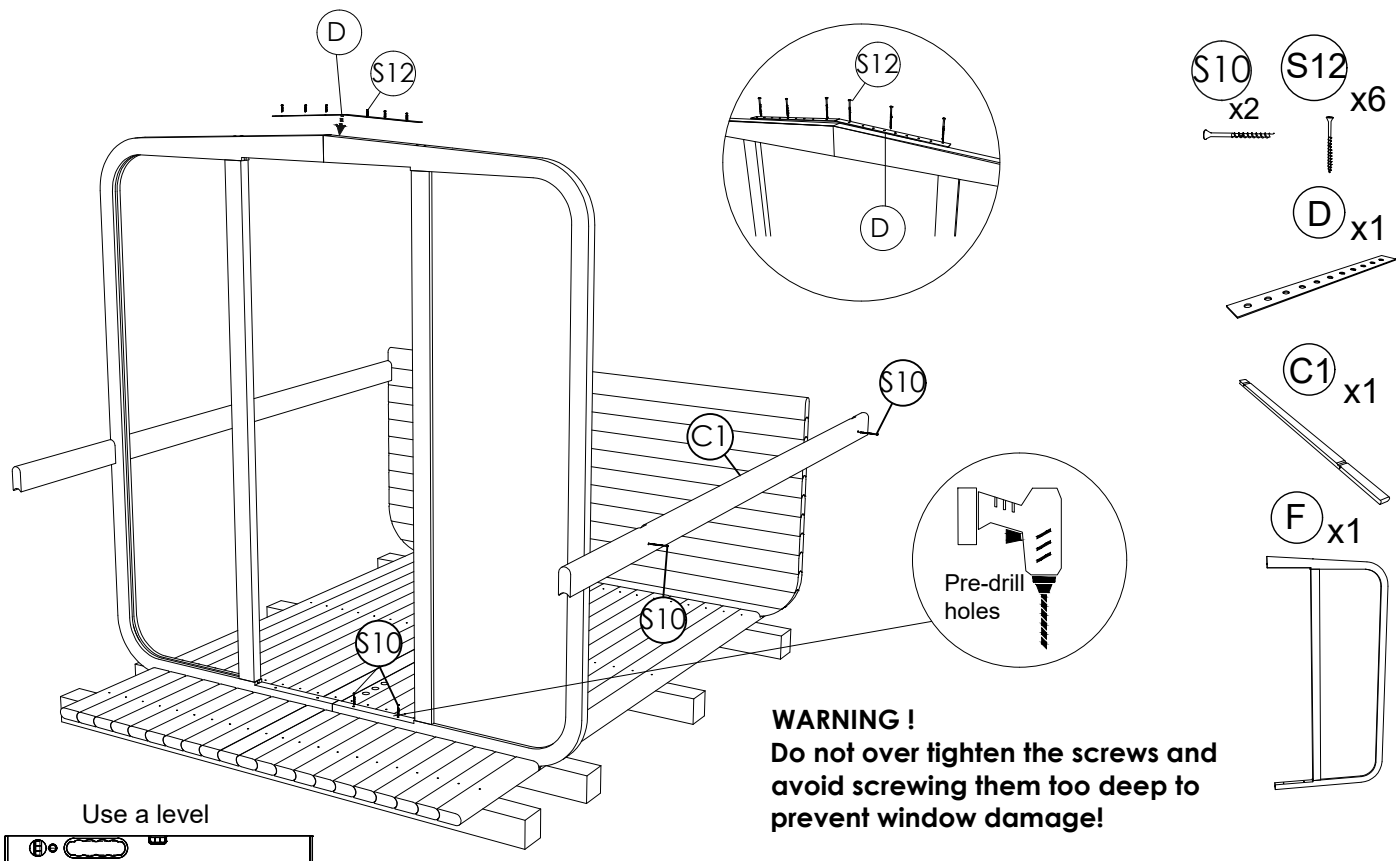
**STEP 6:** Attach rubber seal along the middle of the side edge for front panels (F) and cut it at the start of the corner. Insert wood pin in both holes of the front panel top and bottom.



**STEP 7:** Draw a line on the center stave where the middle is. Take one of the panels (F) and put it directly next to the middle line. Rubber seal must be closer to inside in the groove. Fix it at the panel threshold with screws (S2). Pre-drill holes in the panel threshold, evenly spaced and not too close to the sides. Connect both panels with (C) stave, front and back, and fix using screws (S10). Make sure it's leveled.

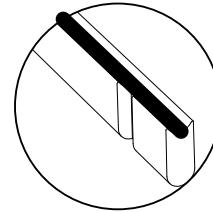
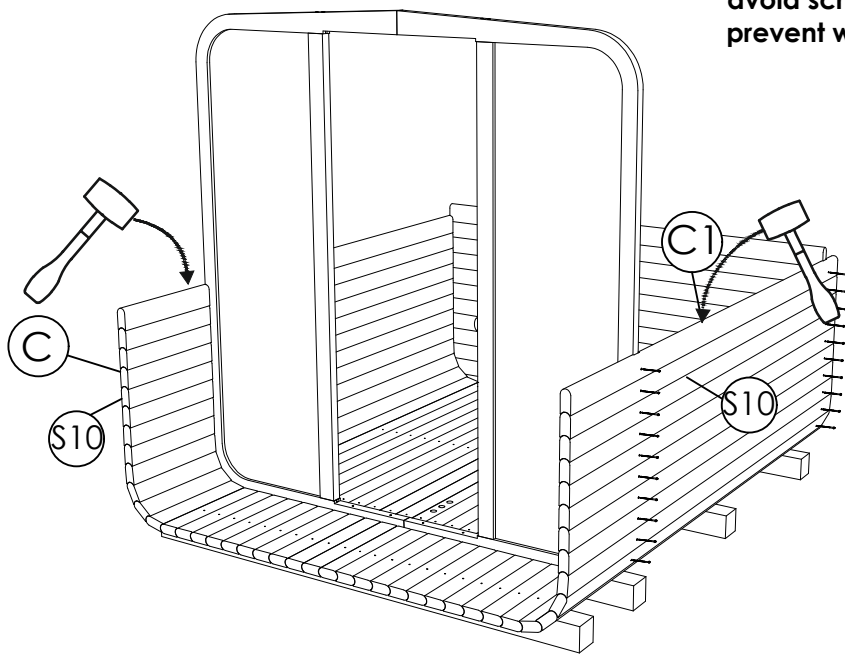


**STEP 8:** Place the second front panel (F). Slide it together that the top and bottom connects. Fix it at the panel threshold with screws (S2) pre-drill holes. Make sure it's level. Use metal bracket on top of the front panels to fix them together.

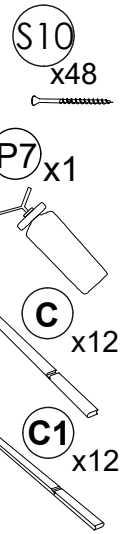


**STEP 9:** Fix 12 staves (C; C1) on both sides with screws (S10). Use rubber hammer for tighter placement. Use spray foam between every staff. Keep fixing staves till reach top of the rear panel (V).

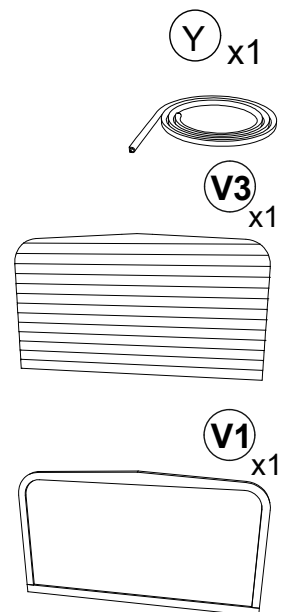
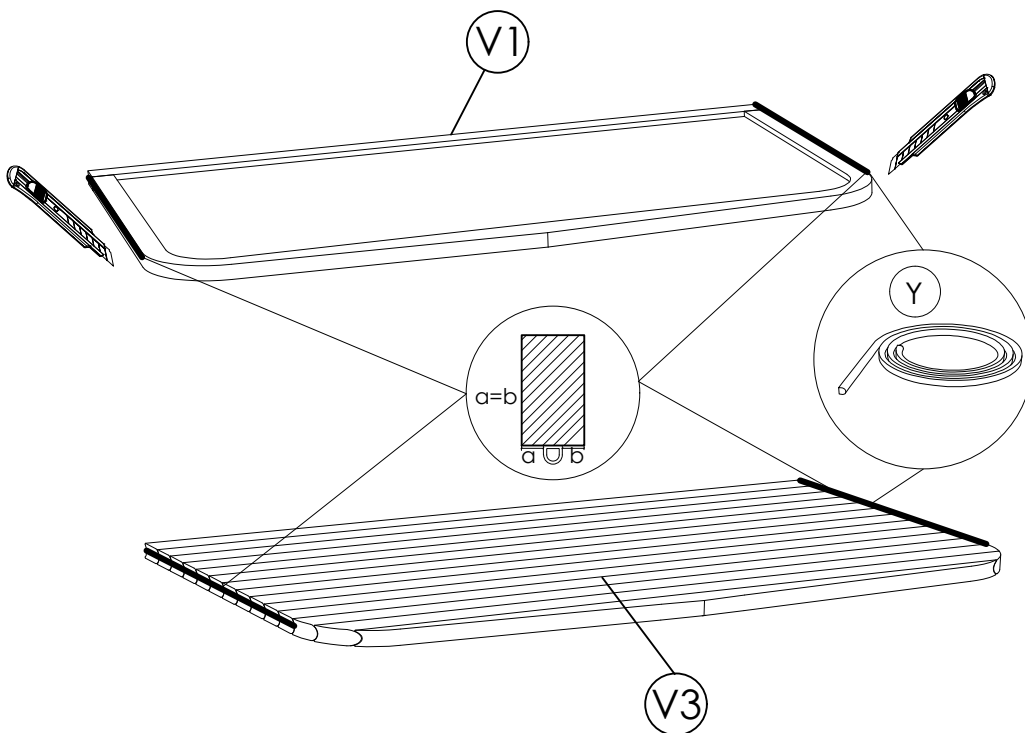
**WARNING !**  
Do not over tighten the screws and avoid screwing them too deep to prevent window damage!



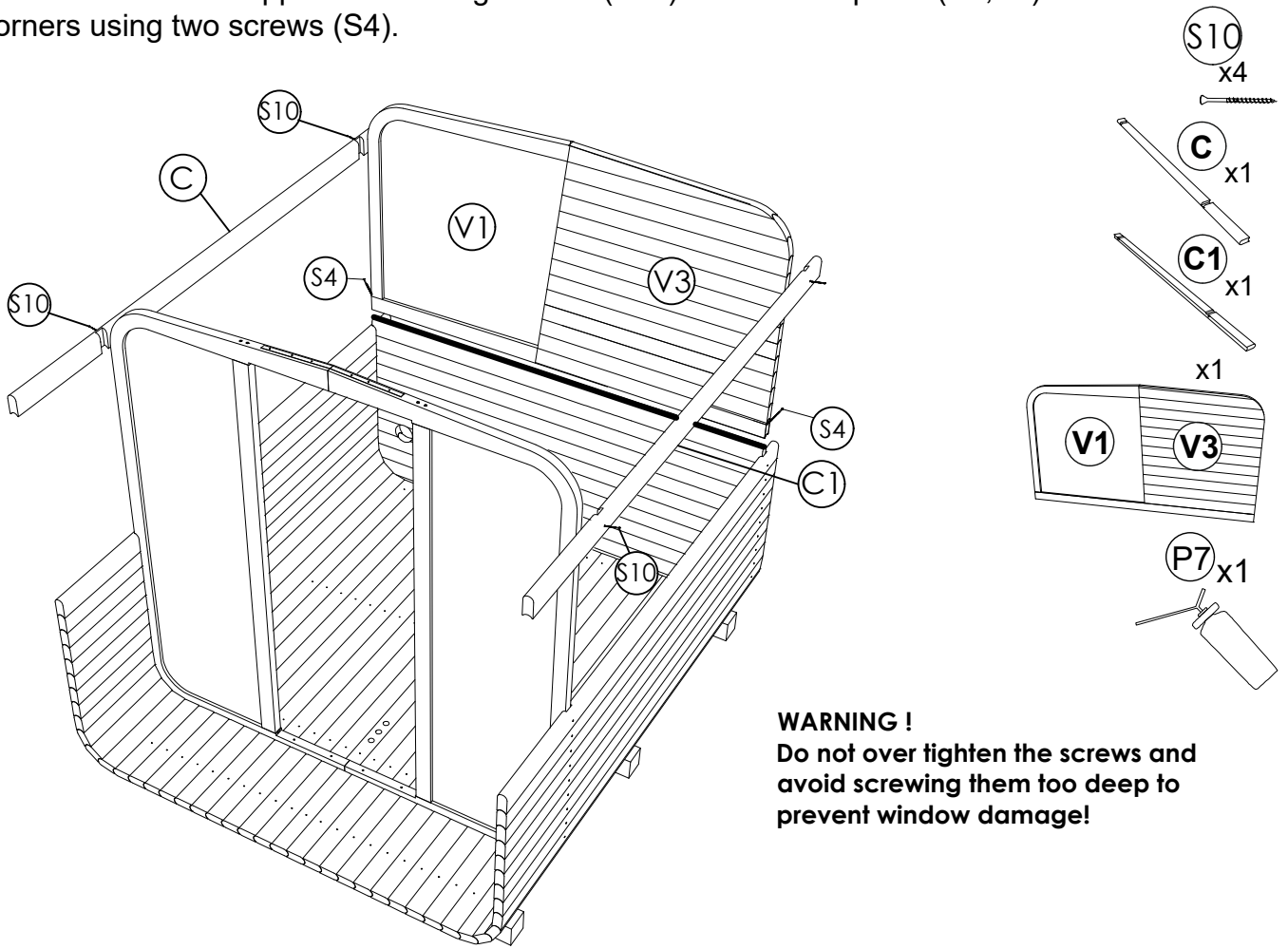
Apply spray foam at the full length of the staff



**STEP 12:** Fix 24 staves (C; C1) on both sides with screws (S10). Use rubber hammer for tighter placement. Use spray foam between every staff. Keep fixing staves till reach top of the roof.

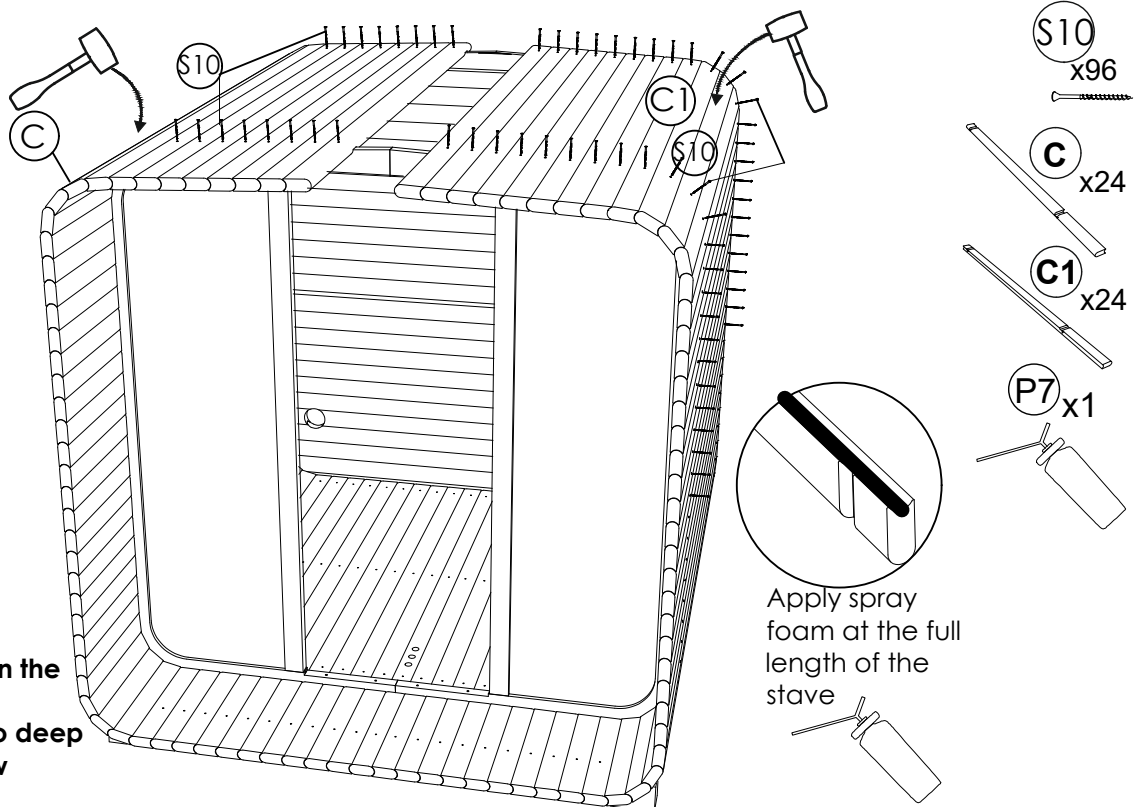


**STEP 11:** Install the panoramic panel (V1) or panel (V3) with caution. Use spray foam between panels for better insulation. Place it on top of the lower back panel (V). Check level and that side edges are aligned with bottom panel. One keeps holding the panel, and the other is fixing the side stave on a upper curve using screws (S10). Secure the panel (V1;V3) at the both corners using two screws (S4).



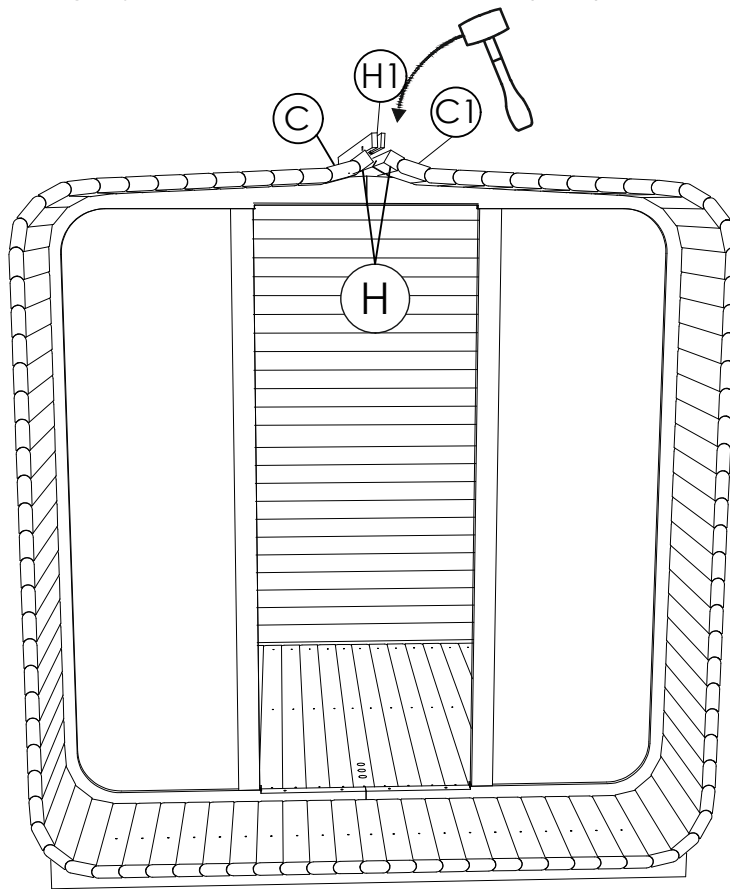
**WARNING !**  
Do not over tighten the screws and avoid screwing them too deep to prevent window damage!

**STEP 12:** Fix 24 staves (C; C1) on both sides with screws (S10). Use rubber hammer for tighter placement. Use spray foam between every stave. Keep fixing staves till reach top of the roof.



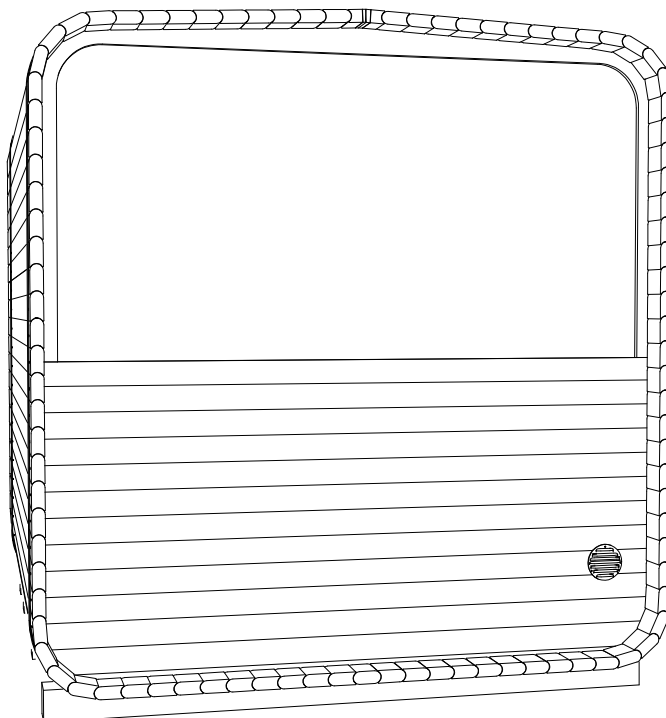
**WARNING !**  
Do not over tighten the screws and avoid screwing them too deep to prevent window damage!

**STEP 13:** Finish roof with (C; C1) staves and final staves (H). If needed, use thinner staves (H1) to fill the gap between (H) staves and apply spray foam between staves. Make sure that centre of the roof is tightly filled, then fix with screws (S10).

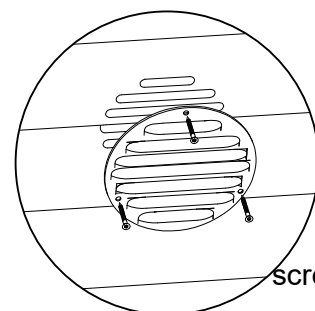


- (S10) x8
- (C) x1
- (C1) x1
- (H1) x4
- (H) x2
- (P7) x1

**STEP 14** Install ventilation grill from outside over the ventilation cuts.

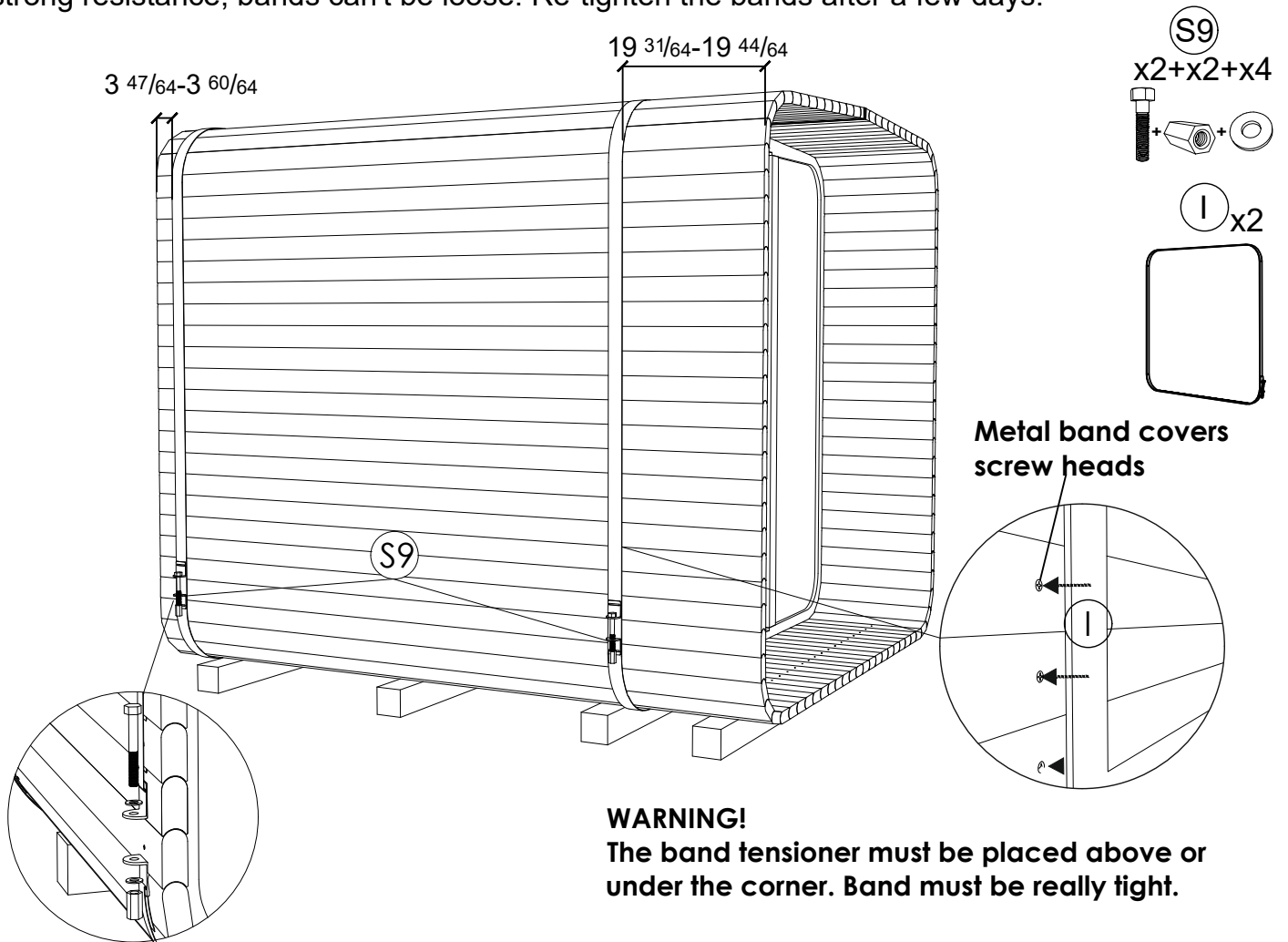


- (Y1) x1

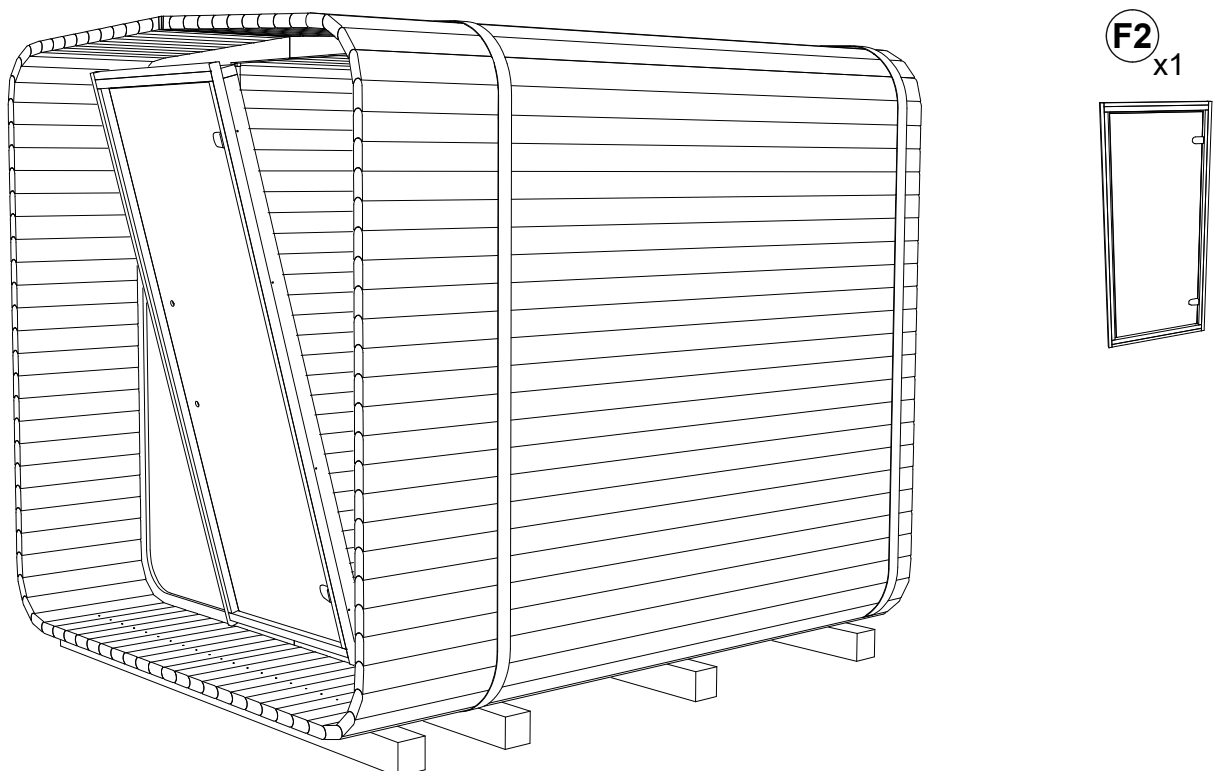


screw 3.0x25  
brown

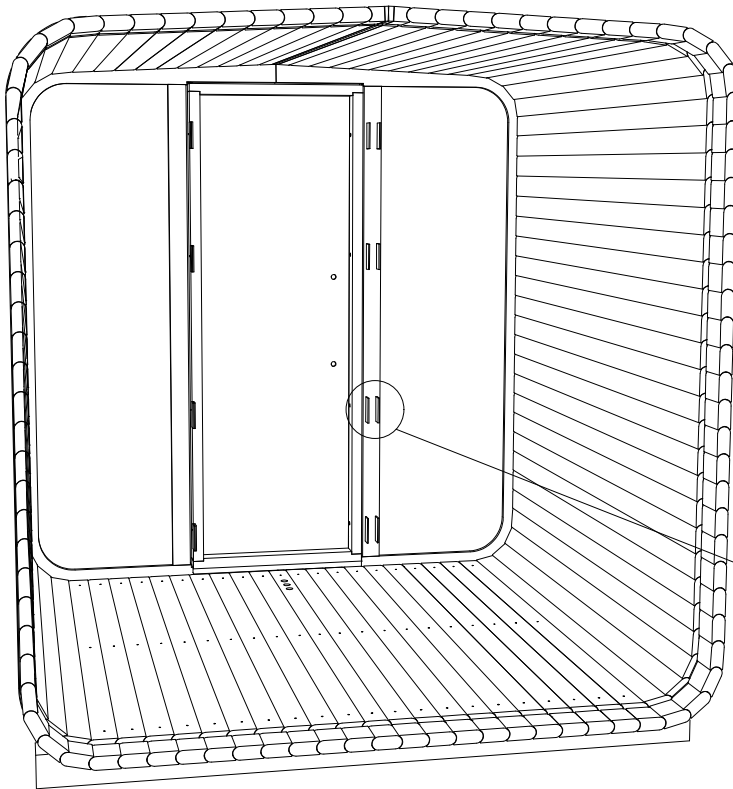
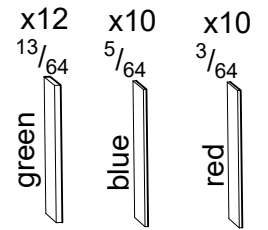
**STEP 15:** Install metal bands over the screw heads. **Screws (S9) must be placed as shown in picture**, then tighten the screws. Check the bands align evenly all around the sauna 3  $47/64$ -3  $60/64$ in from the back and 19  $31/64$ -19  $44/64$ in from front. Keep tightening bands till you feel strong resistance, bands can't be loose. Re-tighten the bands after a few days.



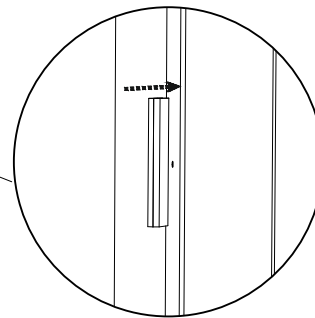
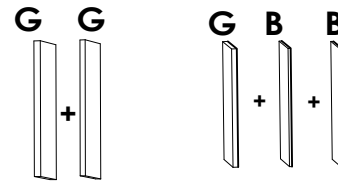
**STEP 16:** Install the doors (F2). Put the doors on threshold and lay in frame about in the middle. Fix doors with clamps or another person should hold the door.



**STEP 17:** Put plastic spacers in the gap between the door box and the front panel where the screws go. Combine spacers for best width. Spacer must fit tightly.

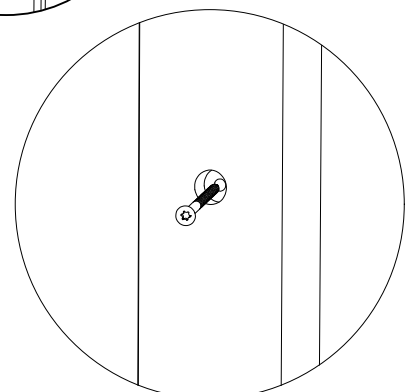
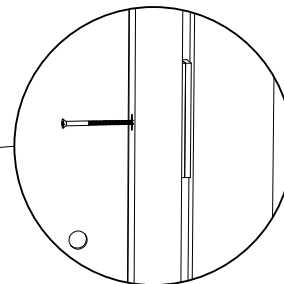
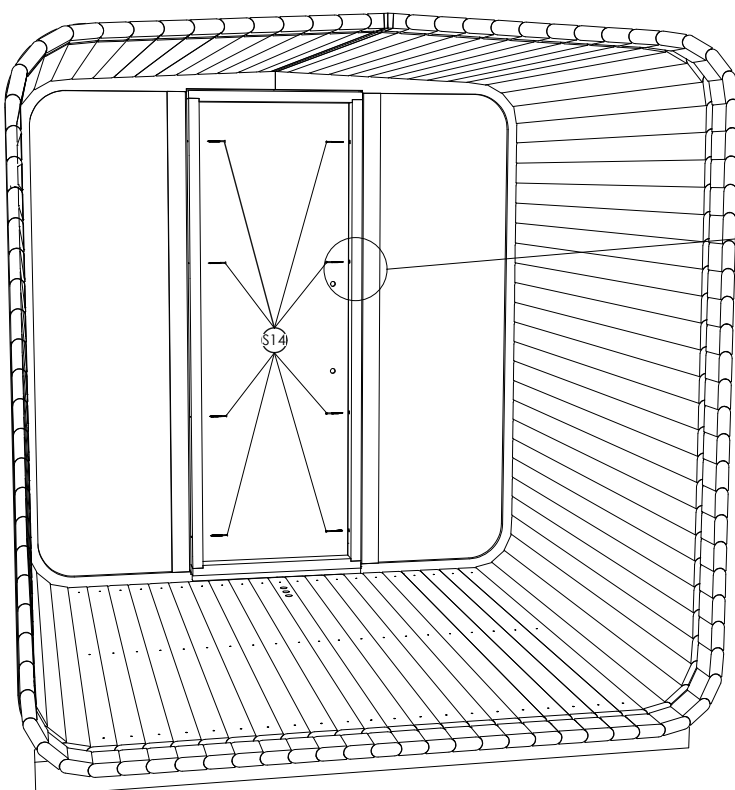
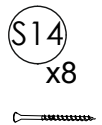


**example**

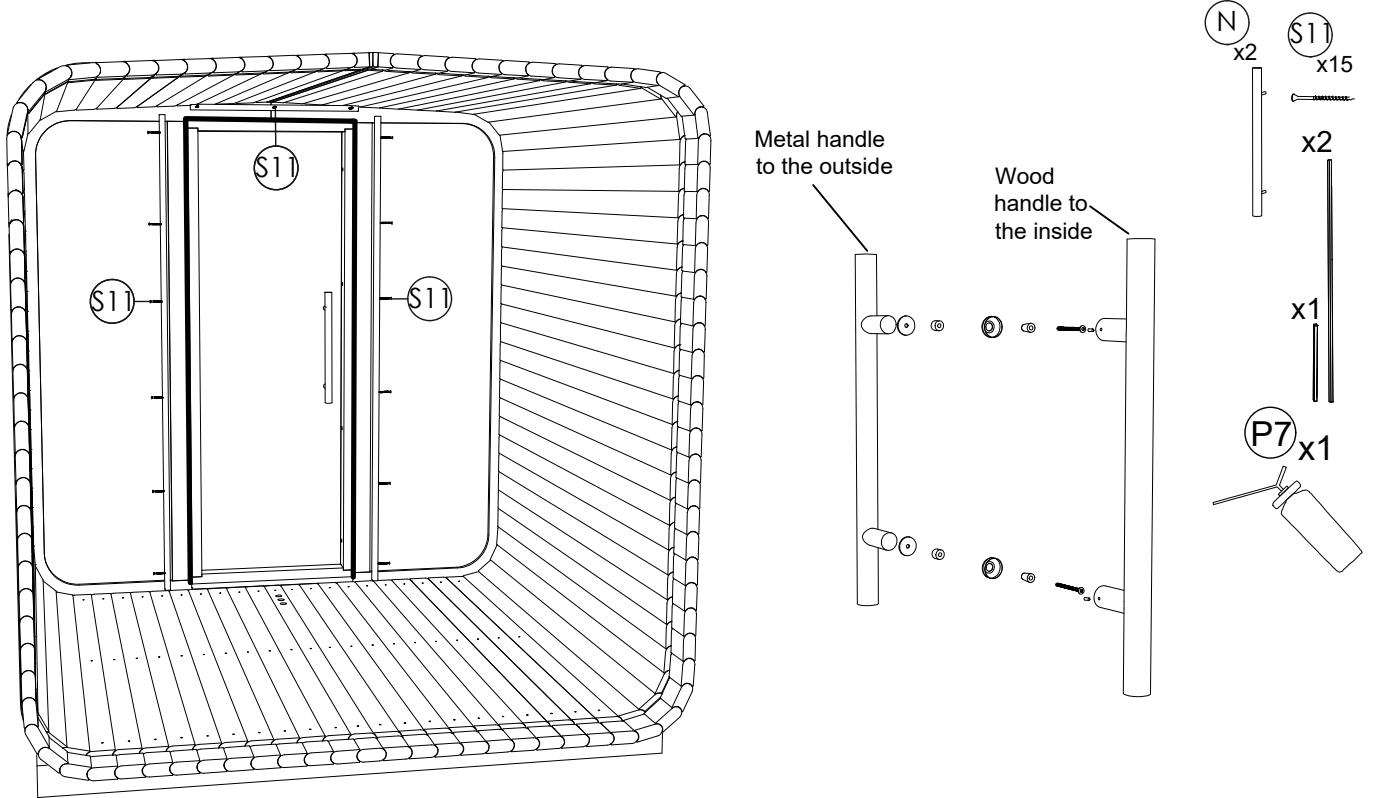


**STEP 18:** Fix one side of the door box with screws (S14) slightly to the outside through spacers. Then put spacers in other side. Combine spacers for necessary width. Spacers must fit tightly, they can't slip down before door is fixed with screws. Use screws (S14) to fix doors. Check door box, both sides should be straight, they must not be bent inwards or outwards.

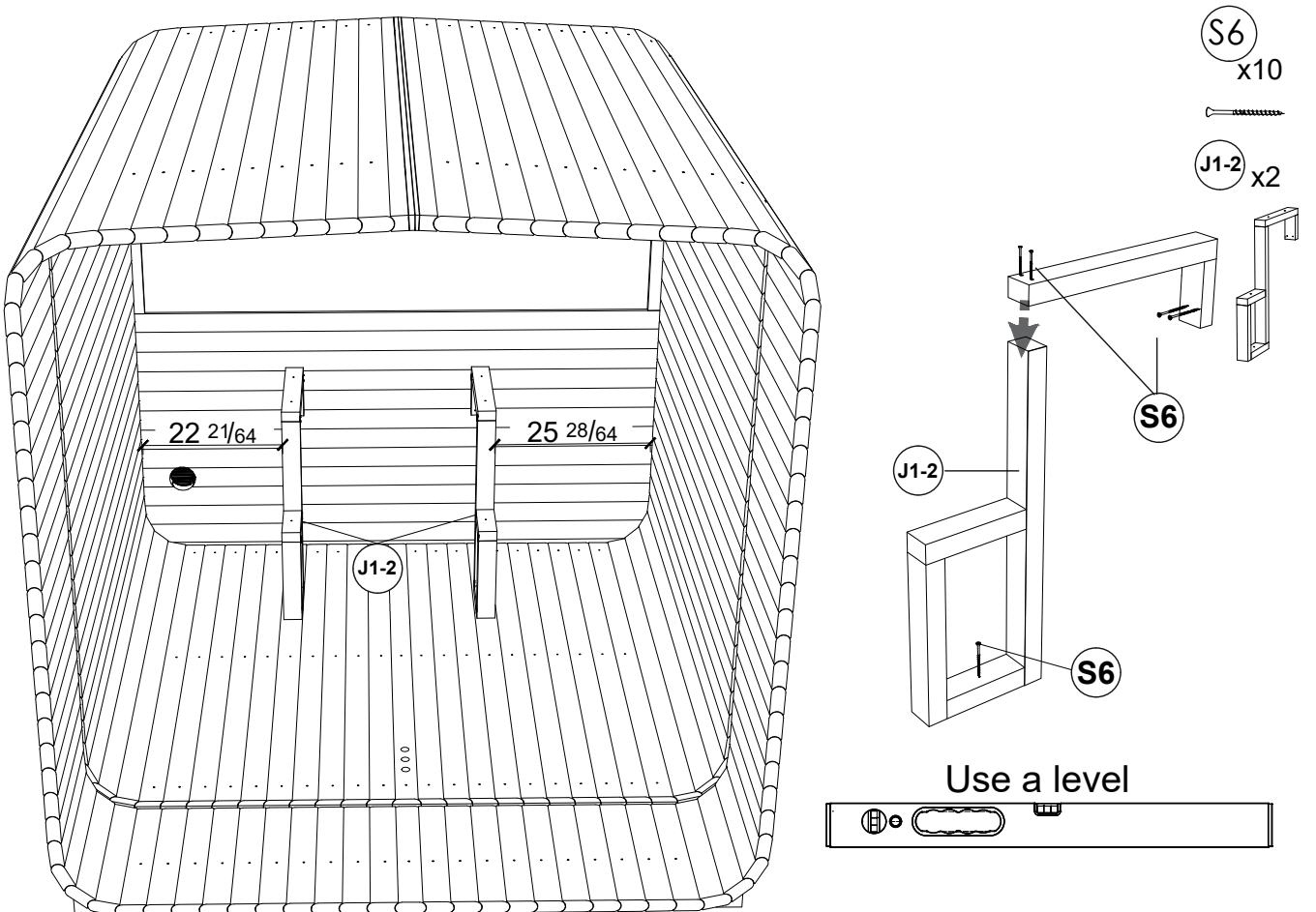
**Use a level**



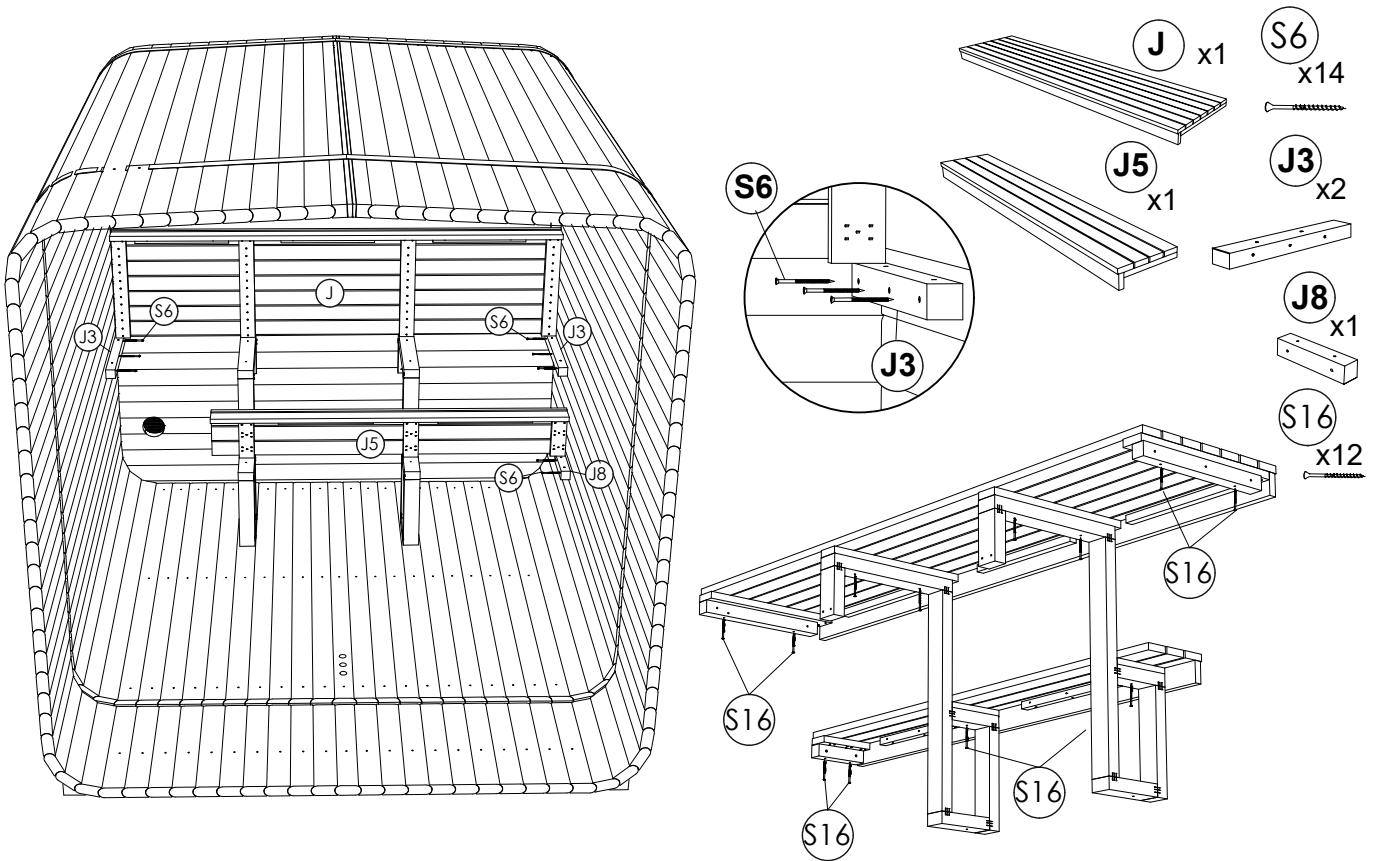
**STEP 19:** Use spray foam around door box. Let the spray foam dry. The excess amount will come off easily if you don't touch it while it's wet. Fix door moldings to both sides and on top of the door with (S11) screws.



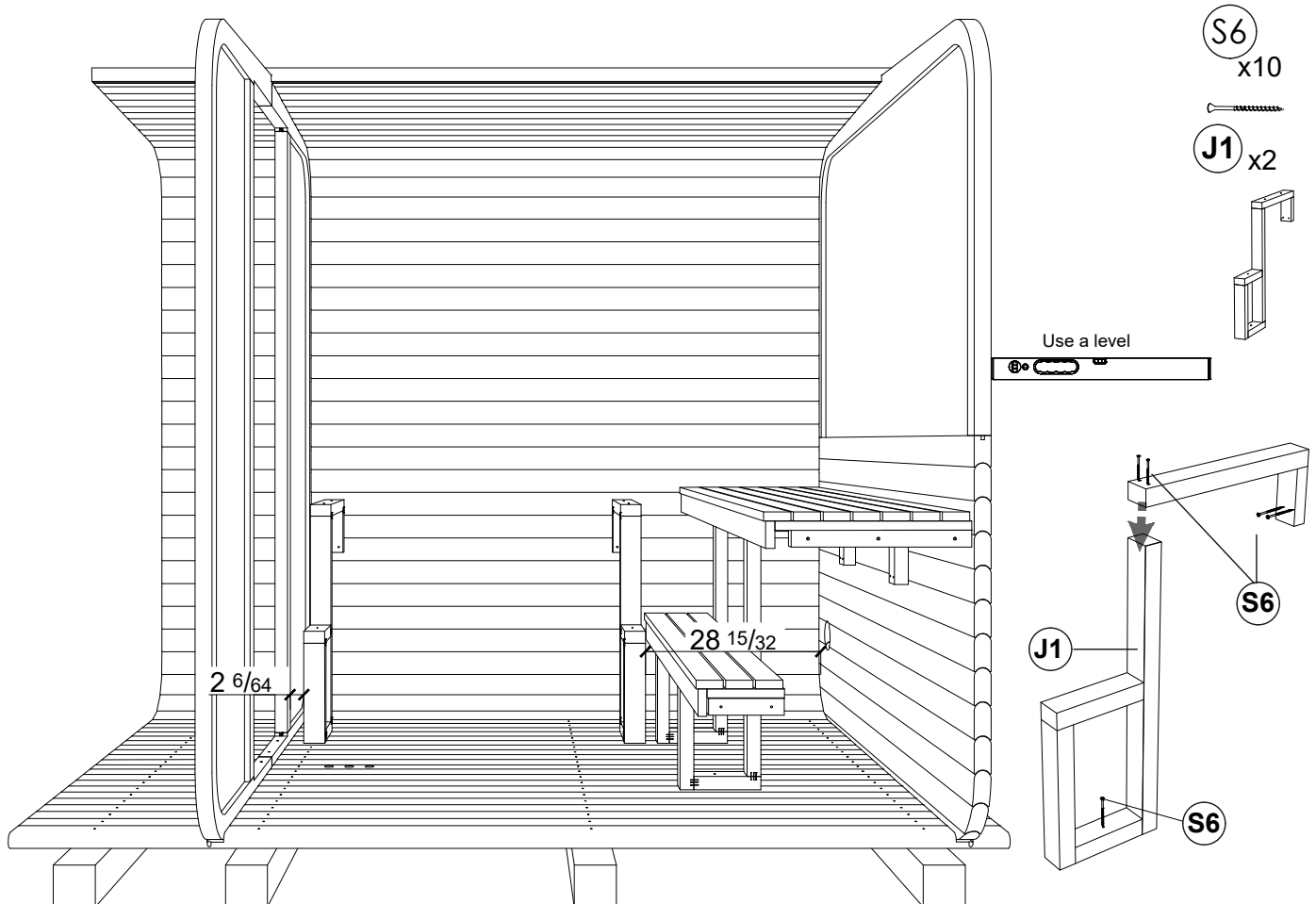
**STEP 20:** Install bench legs (J1-2) with (S6) screws. Take measurements as in the picture. Check the legs to ensure they are straight from all angles.



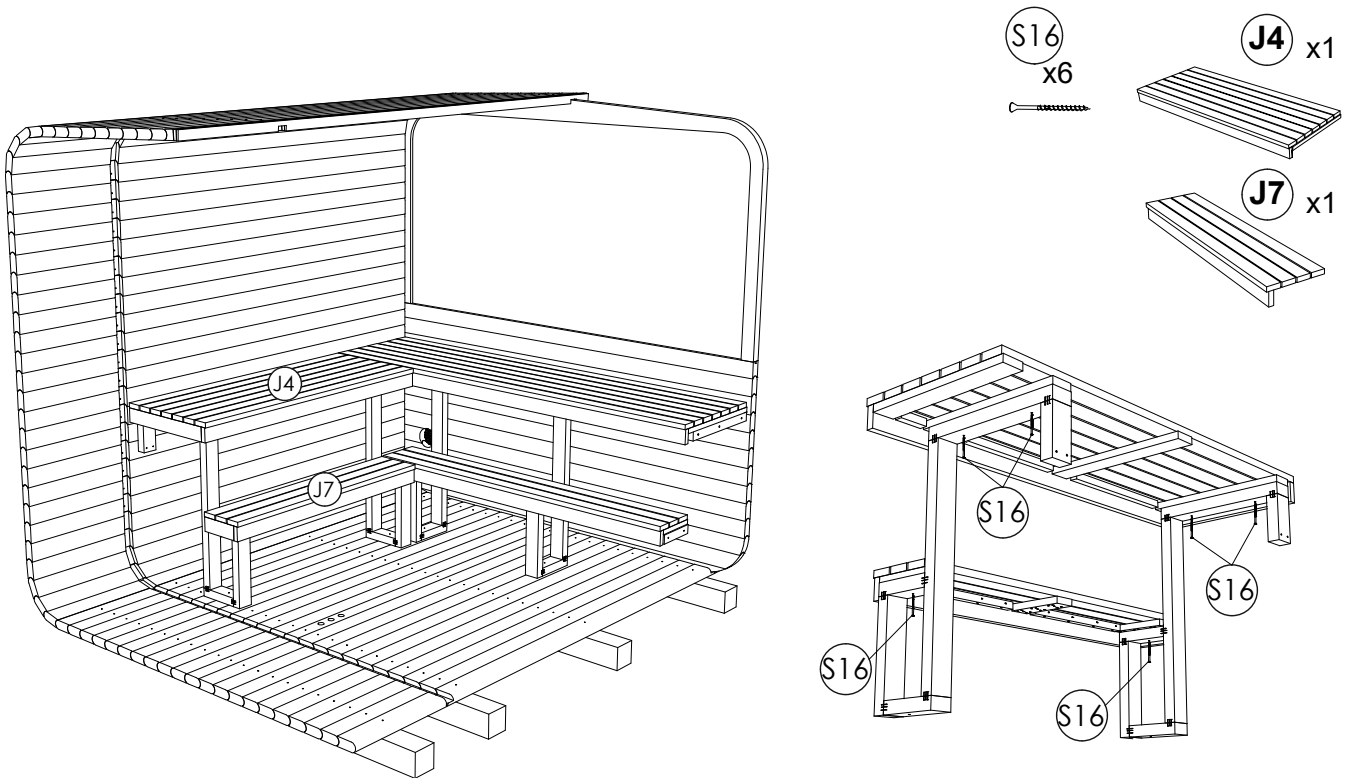
**STEP 21:** Place long sauna bench upwards on the bench legs. Then install bench support boards (J3) on the side walls using S6 screws, at the same level as the bench legs. Leave gap from back wall about  $50/64$  in. Fix bench (J1) and bench step (J5) using (S6) screws.



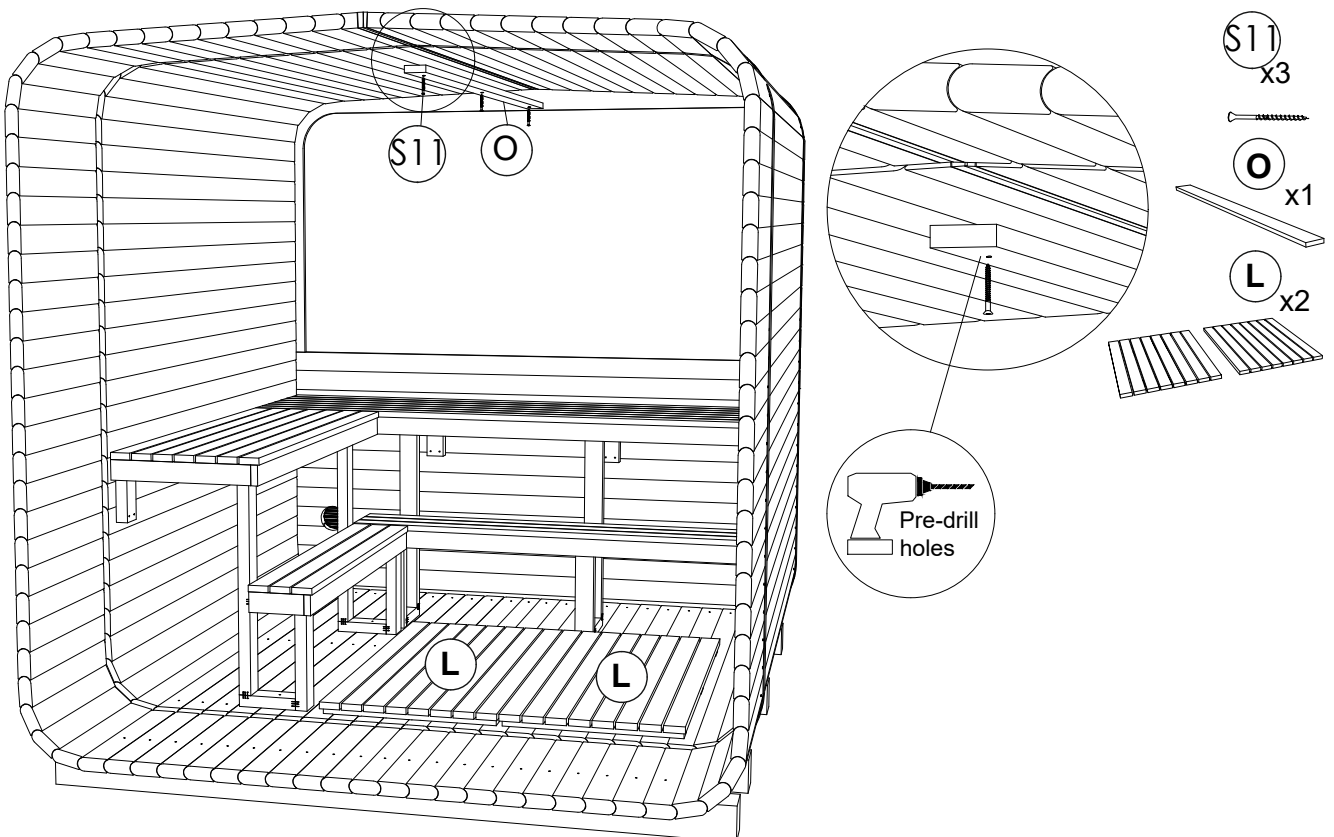
**STEP 22:** Install bench legs (J6) with (S6) screws. Take measurements as in the picture. Check the legs to ensure they are straight from all angles.



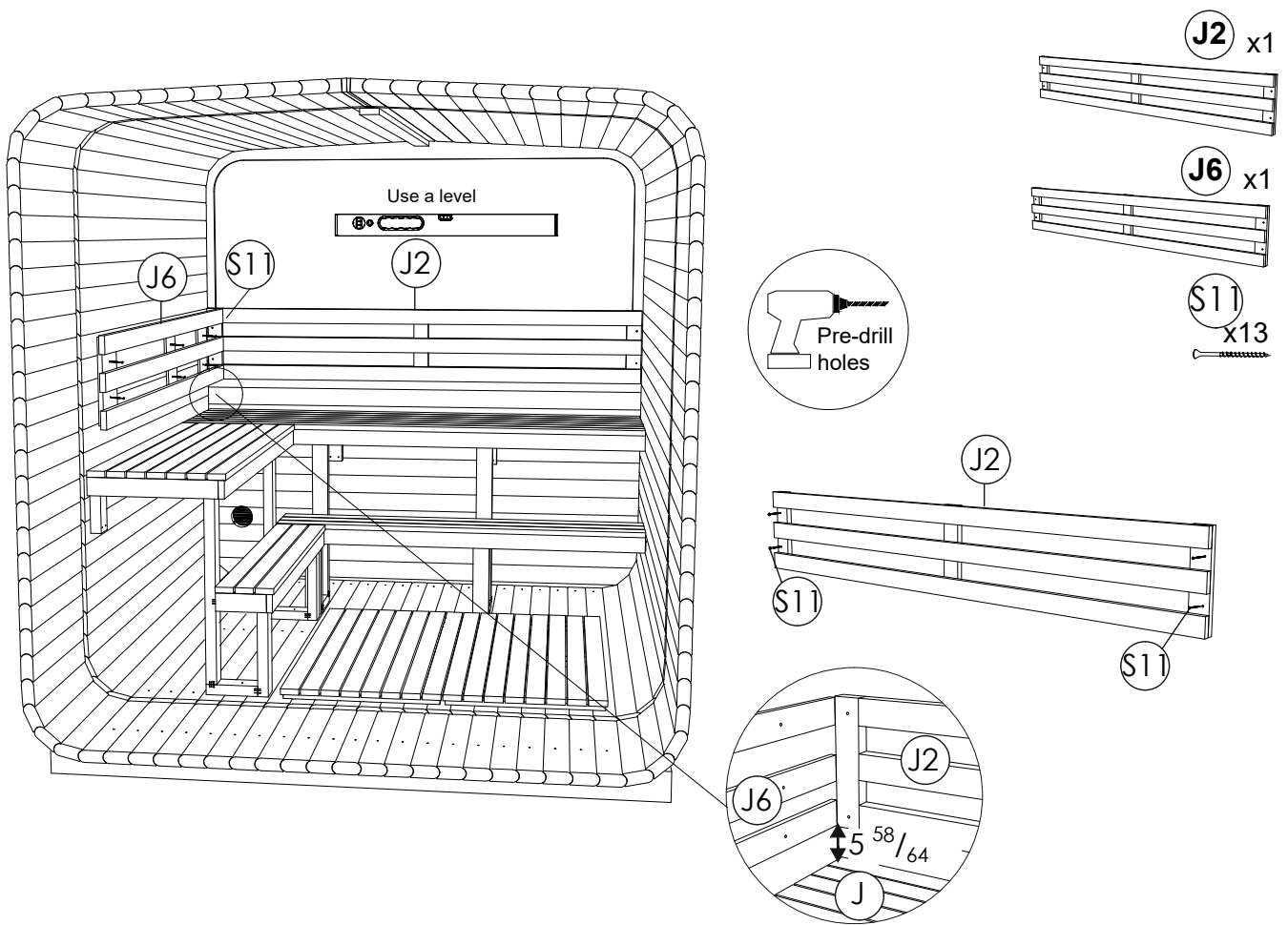
**STEP 23:** Fix sauna bench (J4) on top of the legs (J6) using (S6). Bench cross boards have to match the tops of the bench legs. Fix Bench step (J7) using (S6) screws.



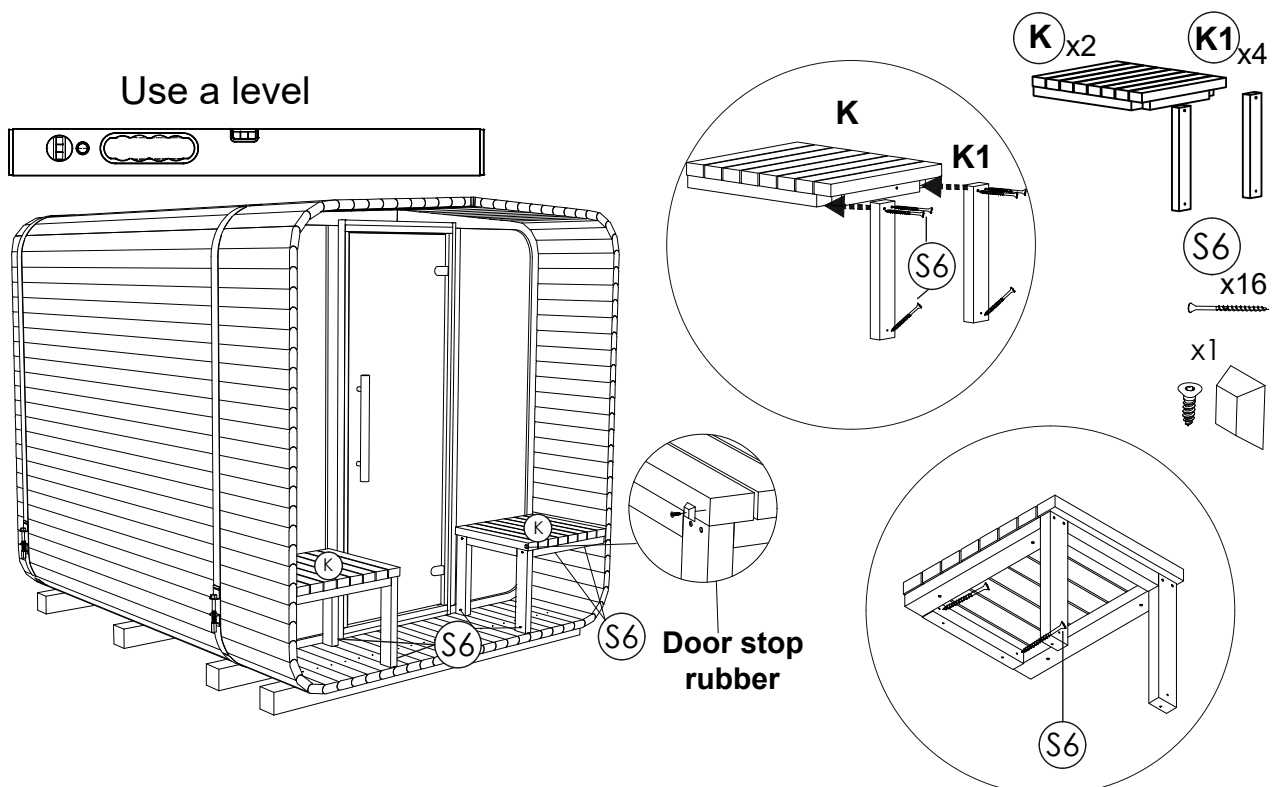
**STEP 24:** Install the ceiling board (O) in the middle of the ceiling, pre-drill holes for screws (S5). Lay in sauna floor (L).



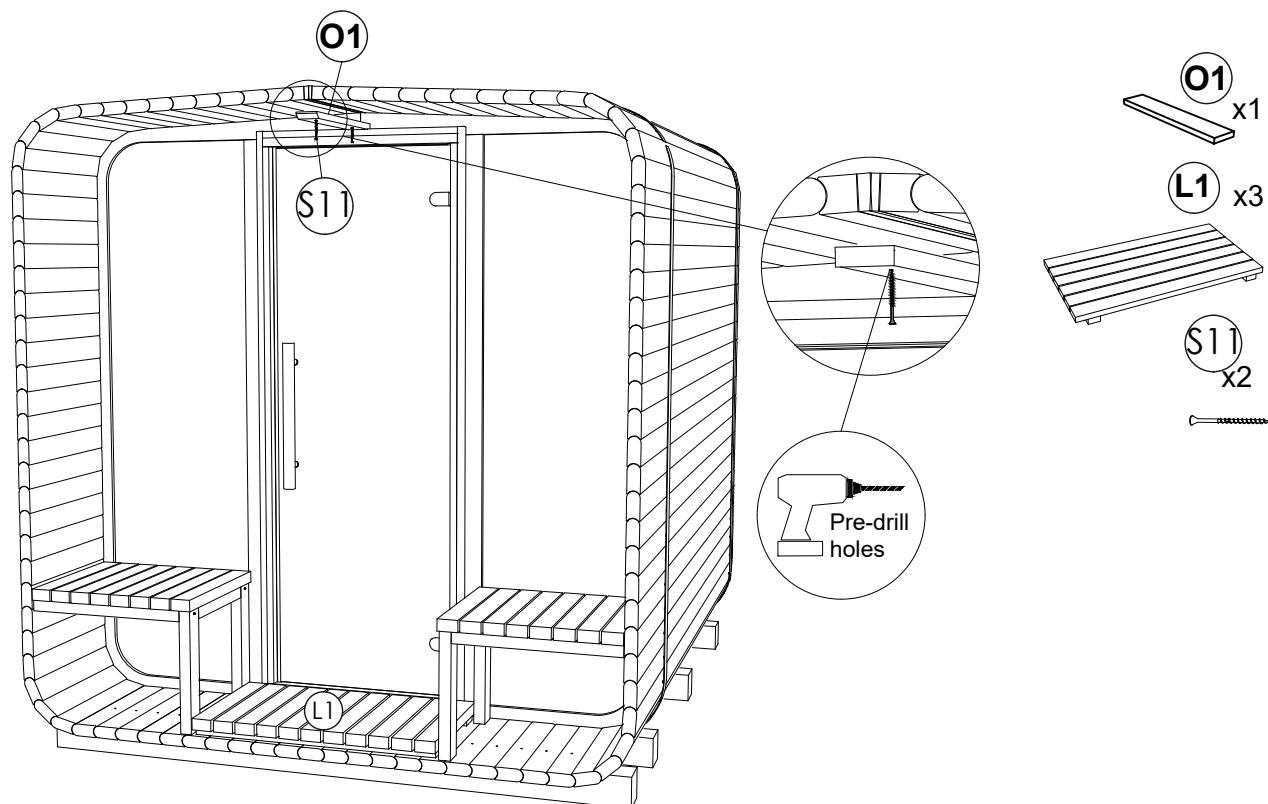
**STEP 25:** Fix the backrest (J2) in front of the panoramic window  $5 \frac{58}{64}$  up from the sauna bench. Then install backrest staves (J6) at the same height as (J2). Pre-drill holes for screws.



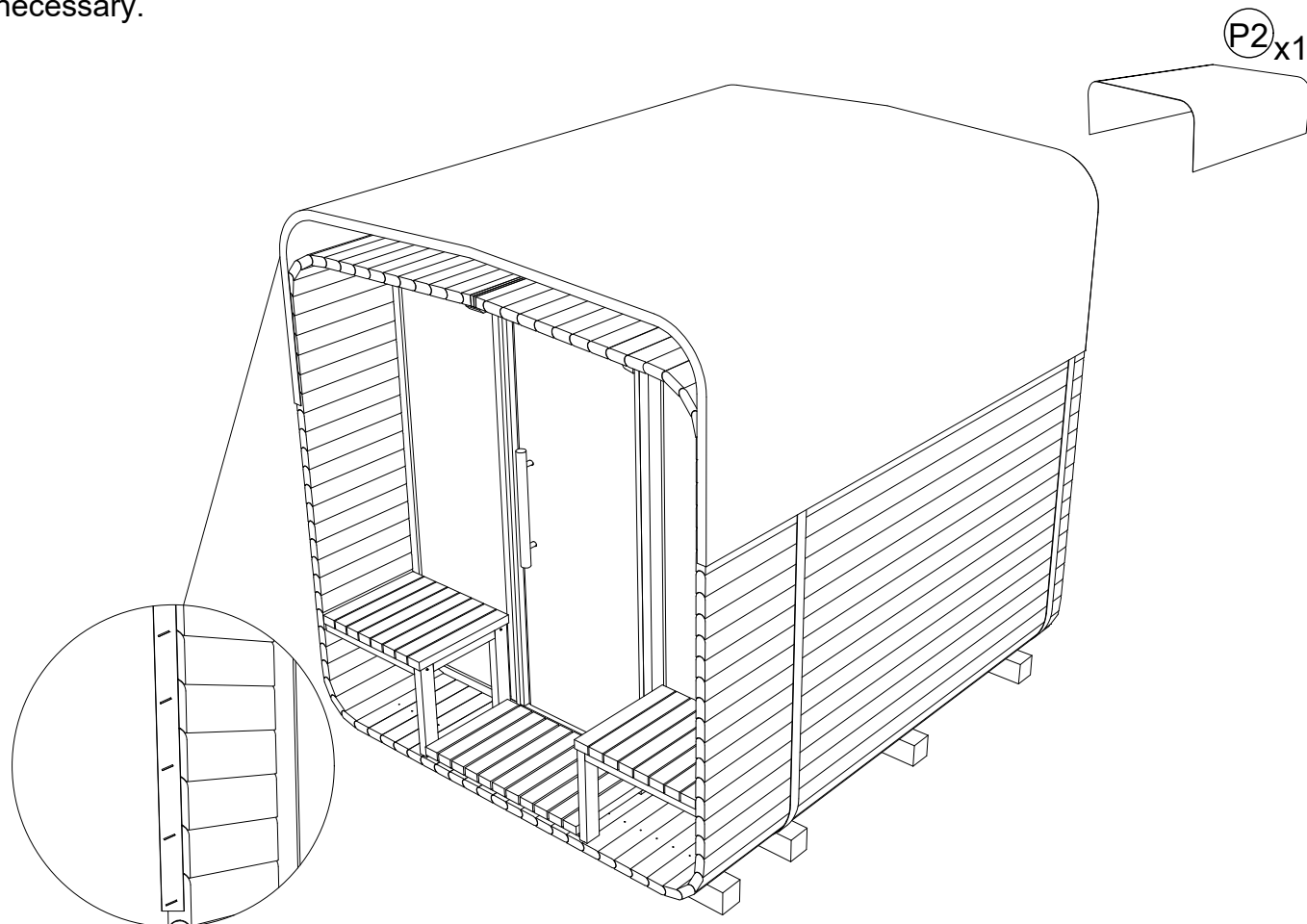
**STEP 26:** Fix two legs (K1) for benches. Install porch benches (K), using screws (S6).



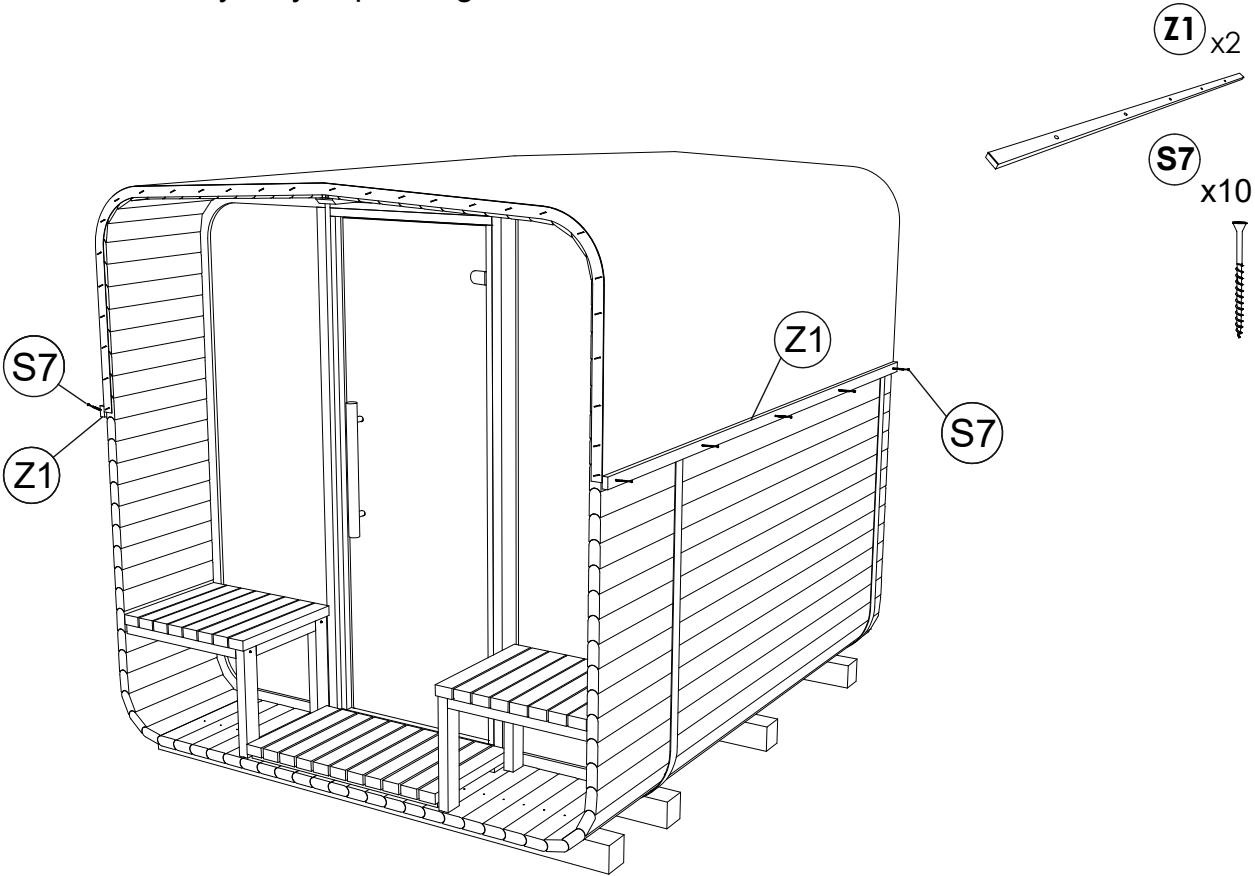
**STEP 27:** Install the ceiling board (O1) in the middle of the ceiling with screws (S11). Lay outside floor (L1) in front of the sauna door.



**STEP 28:** Lay out underlay on the roof evenly to both sides. Leave about  $1 \frac{37}{64}$  over the front and back edges. Staple underlay at the front and back edges. Cut excess underlay if necessary.



**STEP 29:** Fix with wooden slats (Z1) with screws (S7) on the rain jacket bottom. The number of screws may vary depending on the sauna model.



**STEP 30:** Install front and back decorative roof finishing boards using (S7) screws. Start by fixing two top boards, then rest of it goes next to each other.

