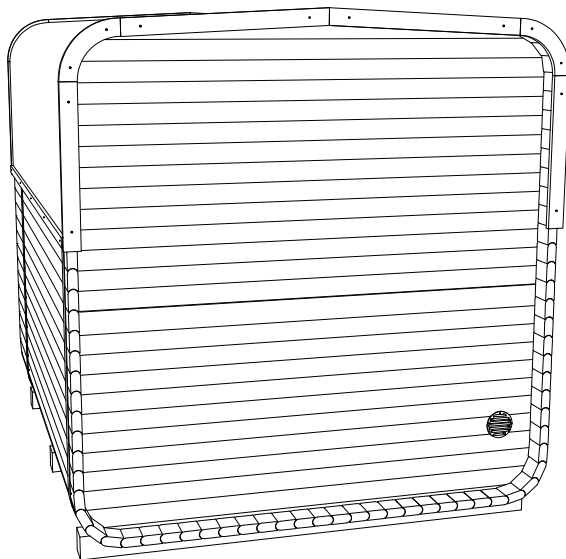
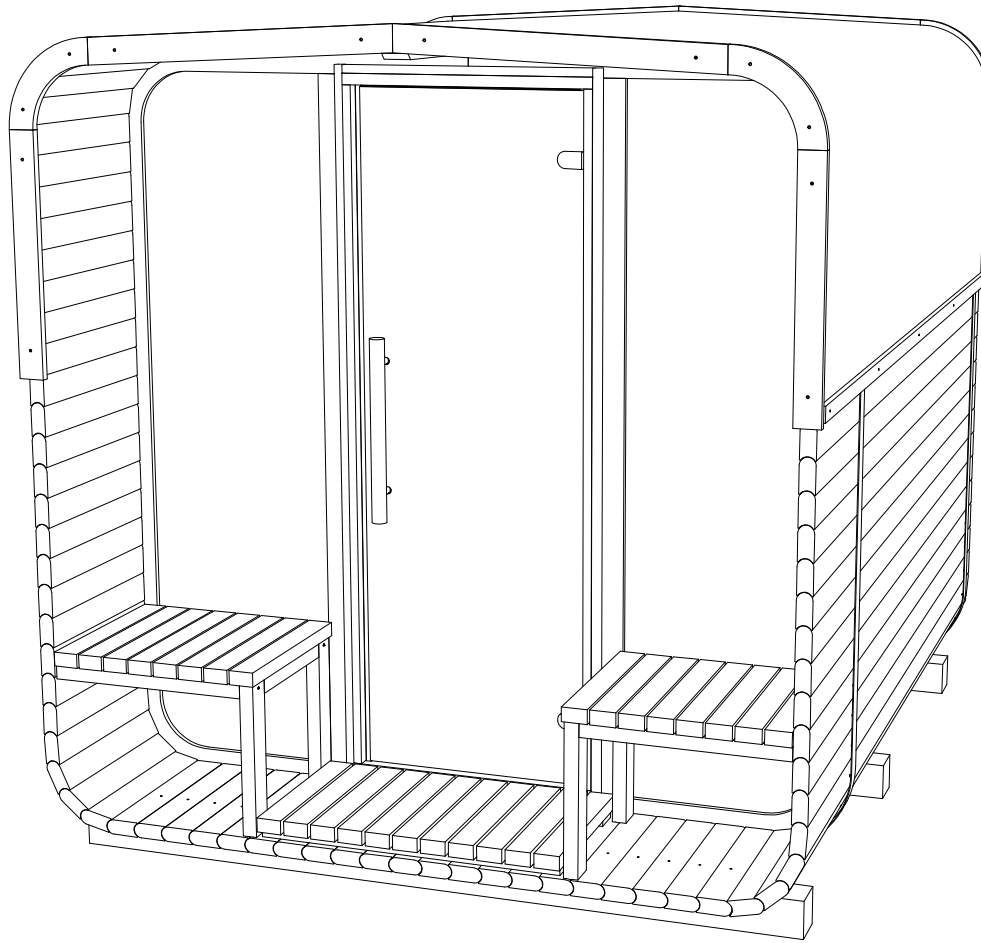
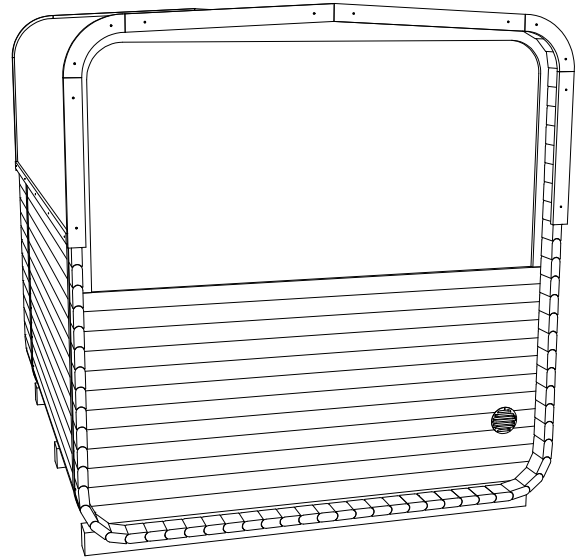


SQUARE SAUNA ASSEMBLY INSTRUCTIONS



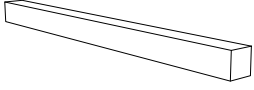
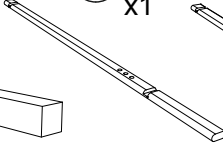
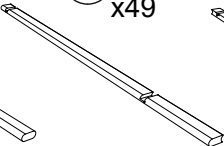
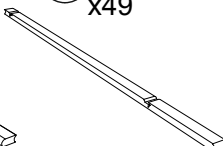
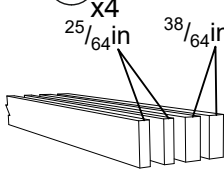
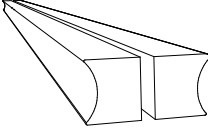
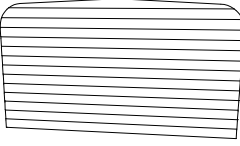

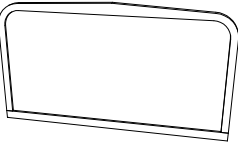
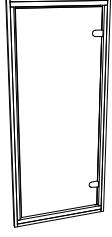

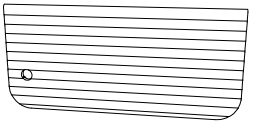
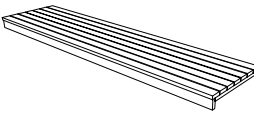
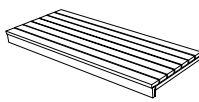
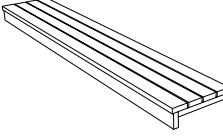
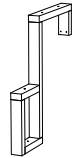
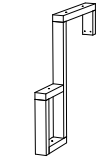
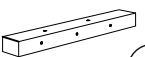
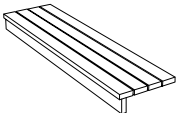

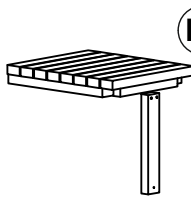

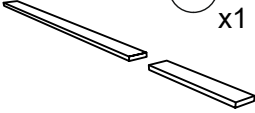

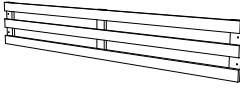
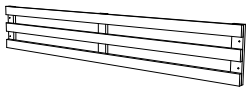
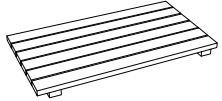

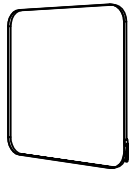

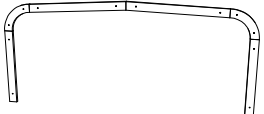

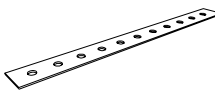



No43



No42

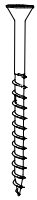
Note: Please read the manual before construction

PARTS LIST

A x4 	B x1 	C x49 	C1 x49 	H1 x4 25/64in 38/64in 	H x2 
cradle	center stave	left body stave	right body stave	different thickness filling peaces	final H tipe stave at the top
V3 x1 	F x2 	V1 x1 	F2 x1 	x2 	V x1 
upper rear panel	front panel	upper rear panel (panoramic)	door and door moldings		bottom rear panel
J x1 	J4 x1 	J5 x1 	J1 x2 	J1-2 x2 	J3 x2 
sauna bench	sauna bench(short)	sauna bench step(long)	supporting leg for a short bench	supporting leg	support board for sauna bench
J7 x1 	L x2 	K x2 	K1 x4 	O x1 	O1 x1 
sauna bench step(short)	sauna floor	outside benches		roof board	
J2 x1 	J6 x1 	L1 x3 	Y x1 	I x2 	Y1 x1 
backrest in front of panorama window	backrest	outside sauna floor	rubber seal	metal band	screw 3.0x25 ventilation grill
W x12 	D x1 	S11 x44 	S1 x65 	S10 x160 	
decorative roof finishing boards	wood pin	metal bracket	screw 4.0x40	screw 5.0x100 SS	screw 4.0x60

PARTS LIST

S4 x4



screw 5.0x120

S6 x30



screw 5.0x70 SS

S7 x35



screw 4.2x55 brown

S12 x6



screw 4.0x30

S14 x10



screw 5.0x80

S16 x20



screw 4.0x60SS

S9



bolt
ø12x140

+



x2

+



x4

hex nut
M12 (SW19)

flat washer

x12



green

x10



blue

x10



white

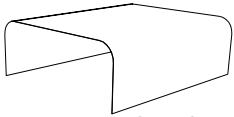
door box spacers

N1 x2



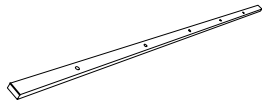
door handle

Z x1



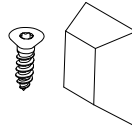
waterproof roof cover

Z1 x2



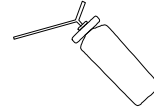
slat for roof cover

x1



door stop rubber

P7 x1



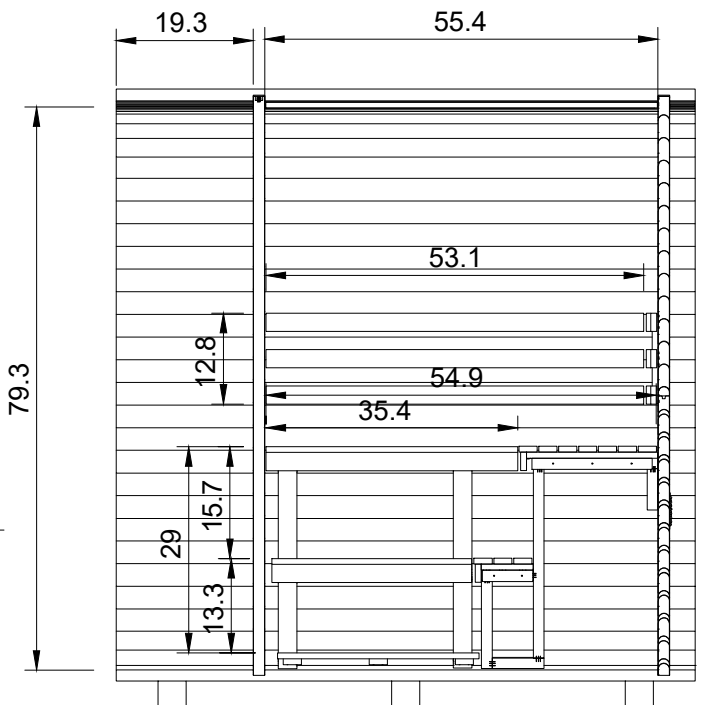
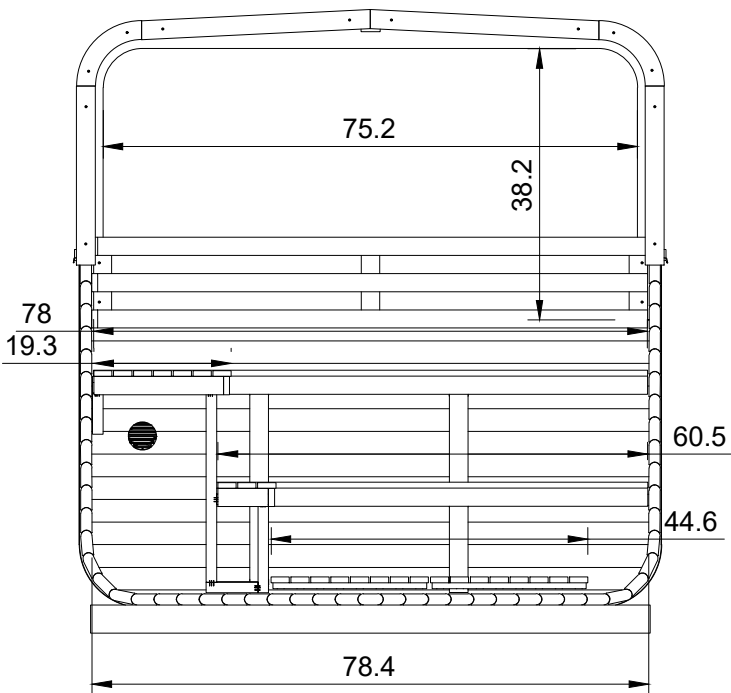
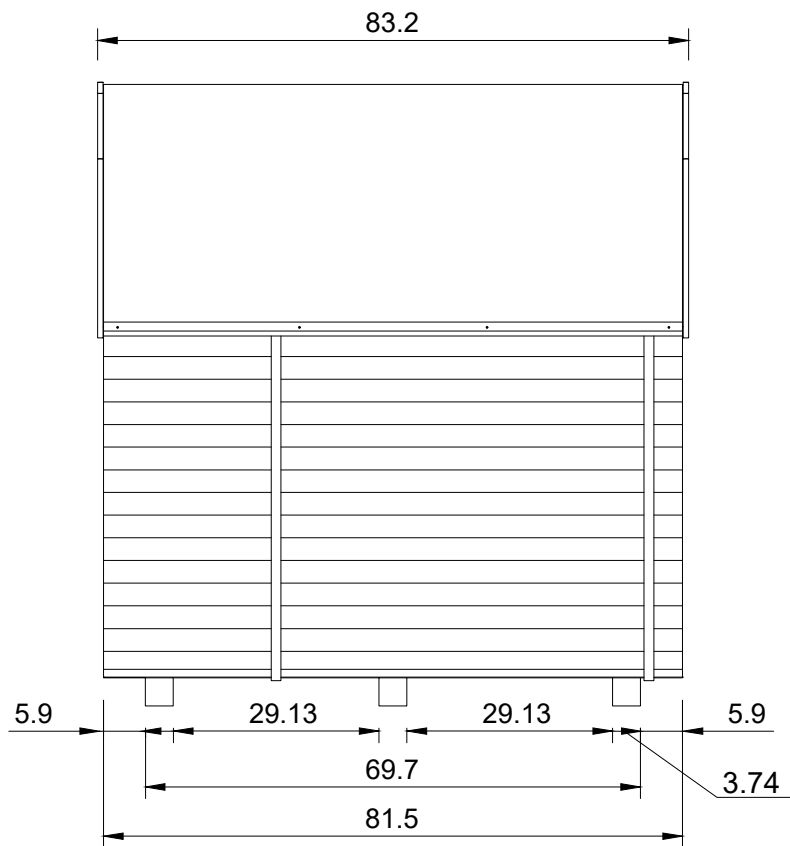
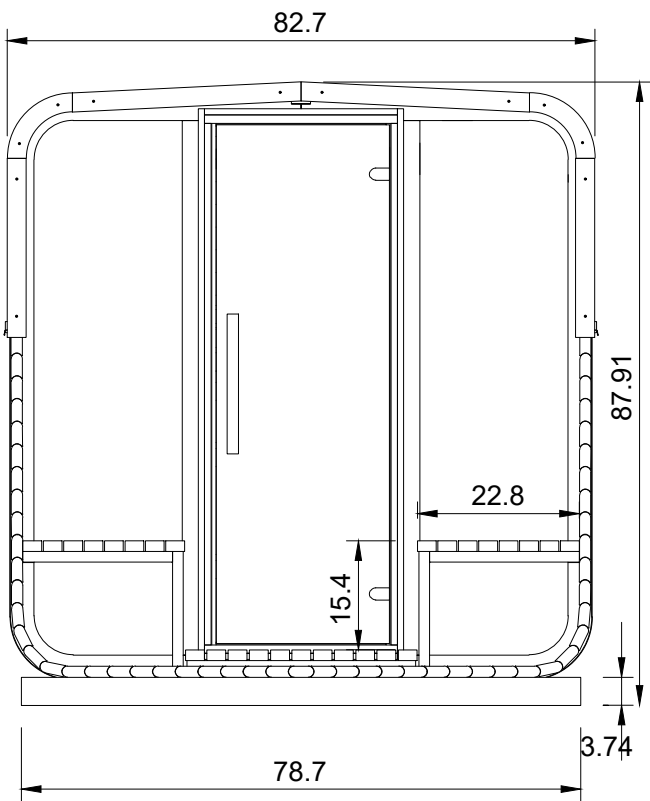
spray foam

REQUIRED TOOLS

	Tape measure		Cutting knife		Drills $\varnothing^{5/32-25/64}$ in
	Pencil		Battery drill		Wrench $7^{31/64}$
	Level		Nail gun		Vise
	Rubber mallet		Hex keys		Caulking gun (bitumen roof mastic)
	Hammer		Gloves		Recommended - 2 person
	Stapler		Safety goggles		

Before you begin, be sure the sauna will fit in your chosen location.
Be sure the site is level and free of standing water after rainfall.
Concrete, pavers or crushed stone is preferred.
Check parts before construction.

Sauna Dimensions

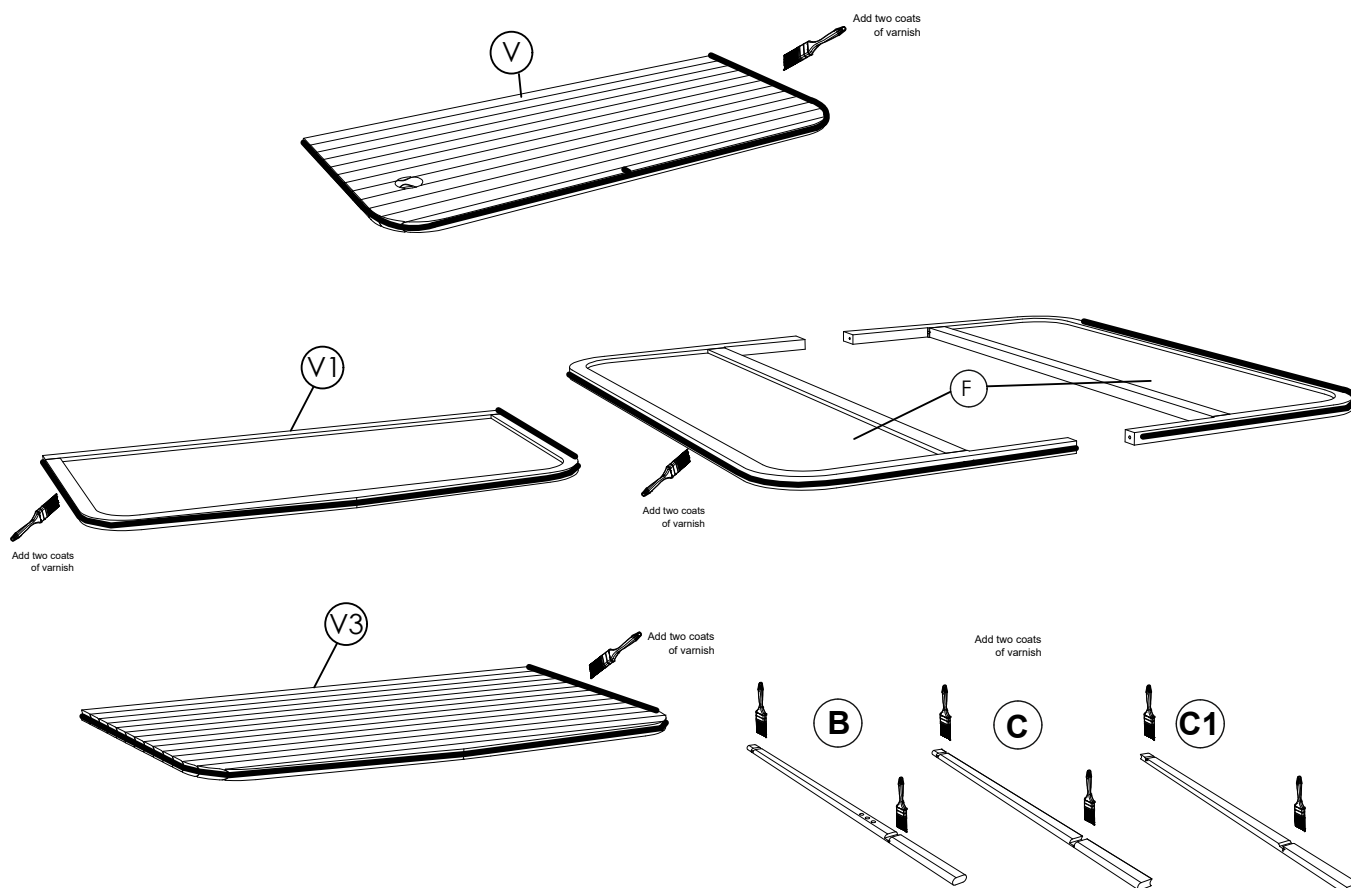
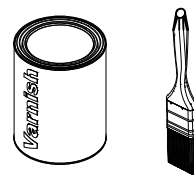


The dimensions on the drawings are informative, rounded values.

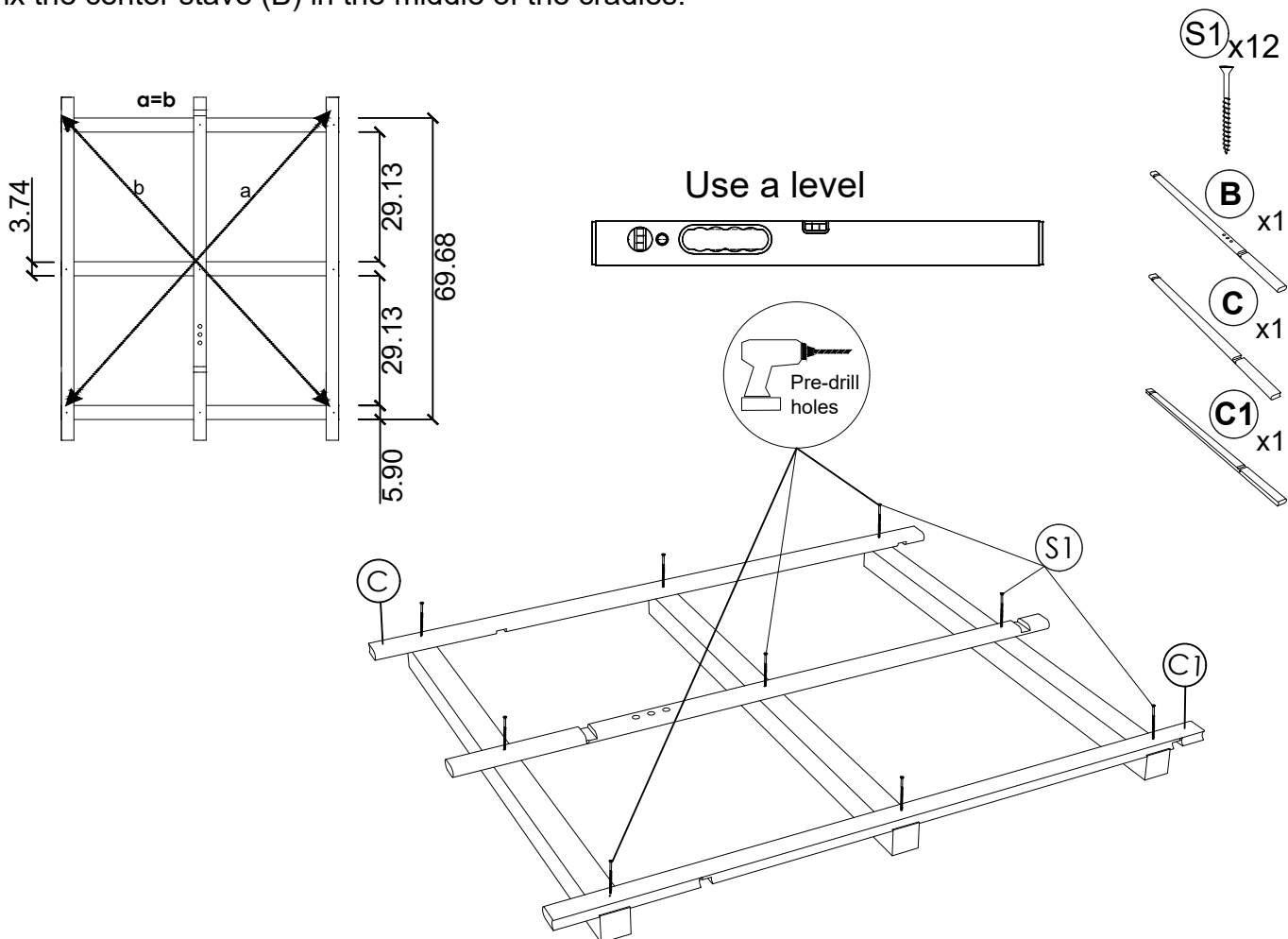
RECOMENDATION

1. It is recommended to install the sauna above ground level to prevent the base legs of the sauna from coming into direct contact with the ground.
2. Make sure that the surface on which you install the sauna is level and stable before and after installing the sauna. Otherwise, the doors of the sauna may not open and close properly later on.
3. During the first heating of the sauna, it must be constantly supervised, and the doors should be kept open, as the stove emits a specific odor when first heated. Read more from the user manual for the sauna stove.
4. The maximum permitted temperature in the steam room is +90 °C. If heated to a higher temperature, the sauna may become overheated.
5. In order to avoid damage caused by the weight of snow in winter, any snow should be removed from the roof. Keep in mind that the roof covering should not be damaged during snow removal.

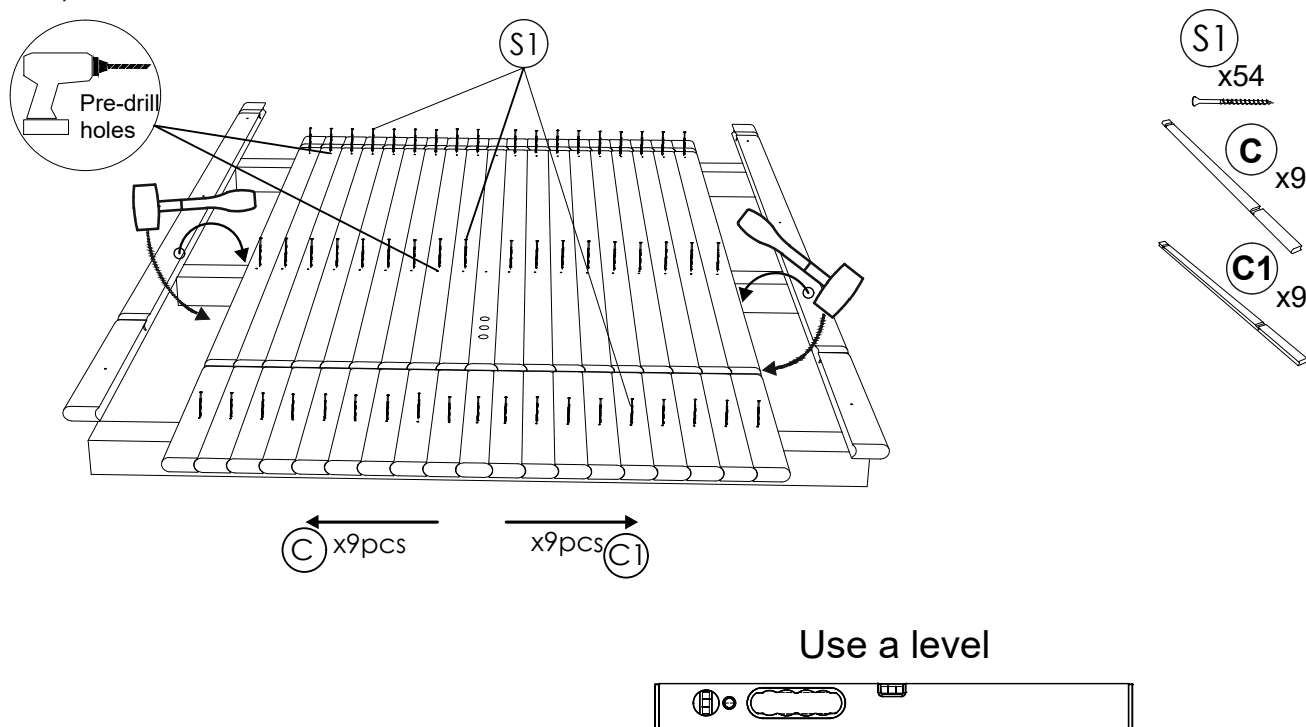
Before start to build the sauna, first apply two coats of wood varnish to the sides of each panel



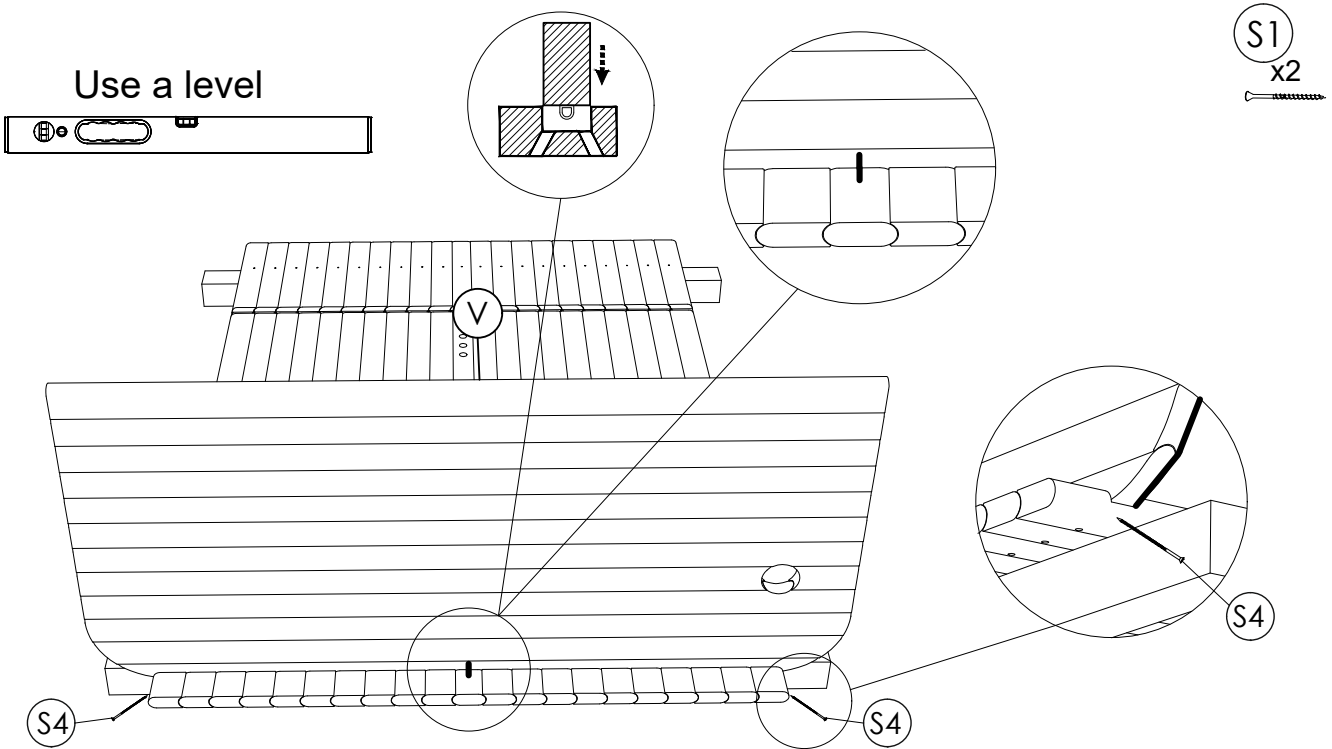
STEP 1: Place cradles on prepared surface. The base for sauna cradles must be leveled and sturdy. Measure diagonally from corner to corner. Measurements "a" and "b" should be equal. The distance between cradles are in picture. Fix staves on both sides of the cradles to prevent any change in measurements. Check levels again. Pre-drill holes before fix staves with screws. Fix the center stave (B) in the middle of the cradles.



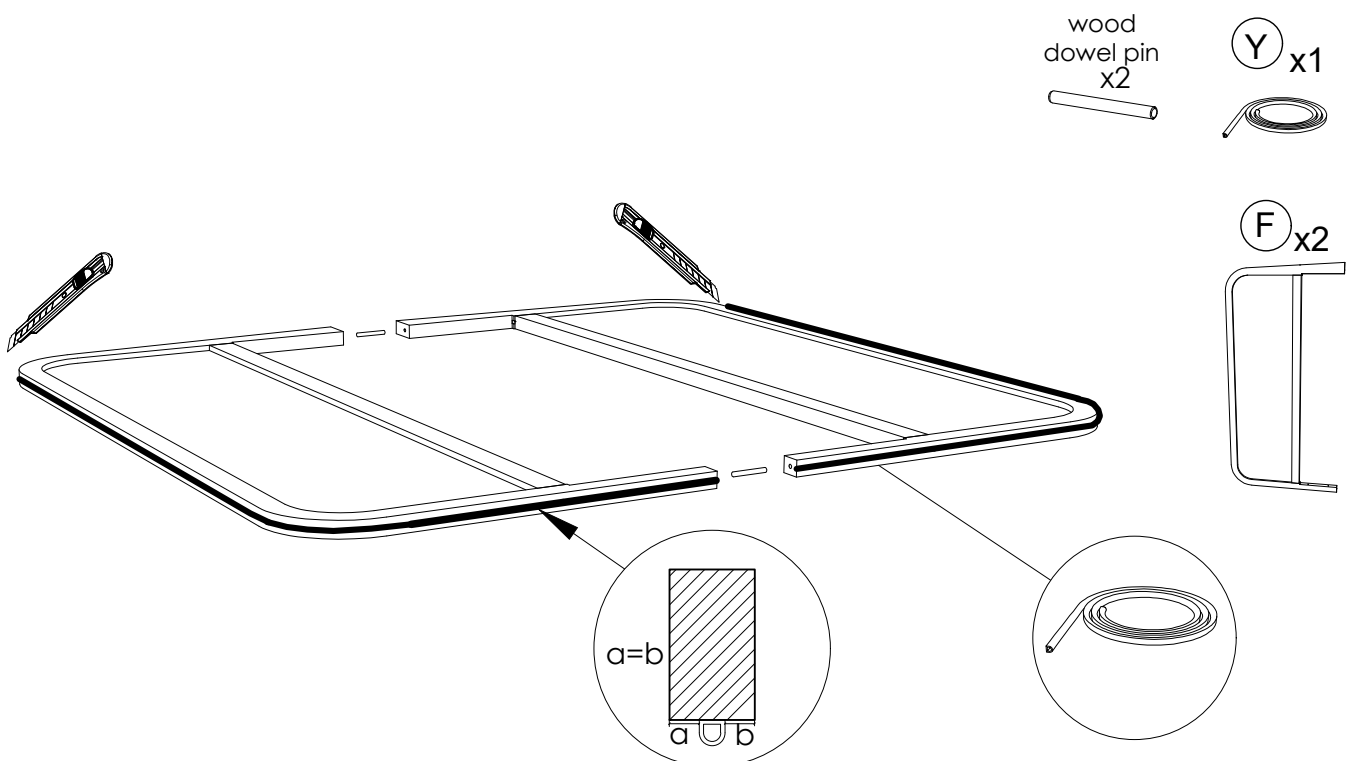
STEP 2: Fix 9 staves (C; C1) to each side from the center stave. Check level while installing staves and use rubber hammer for tighter placement. Pre-drill holes for screws. After 9 staves are fixed, take of side staves and fix them.



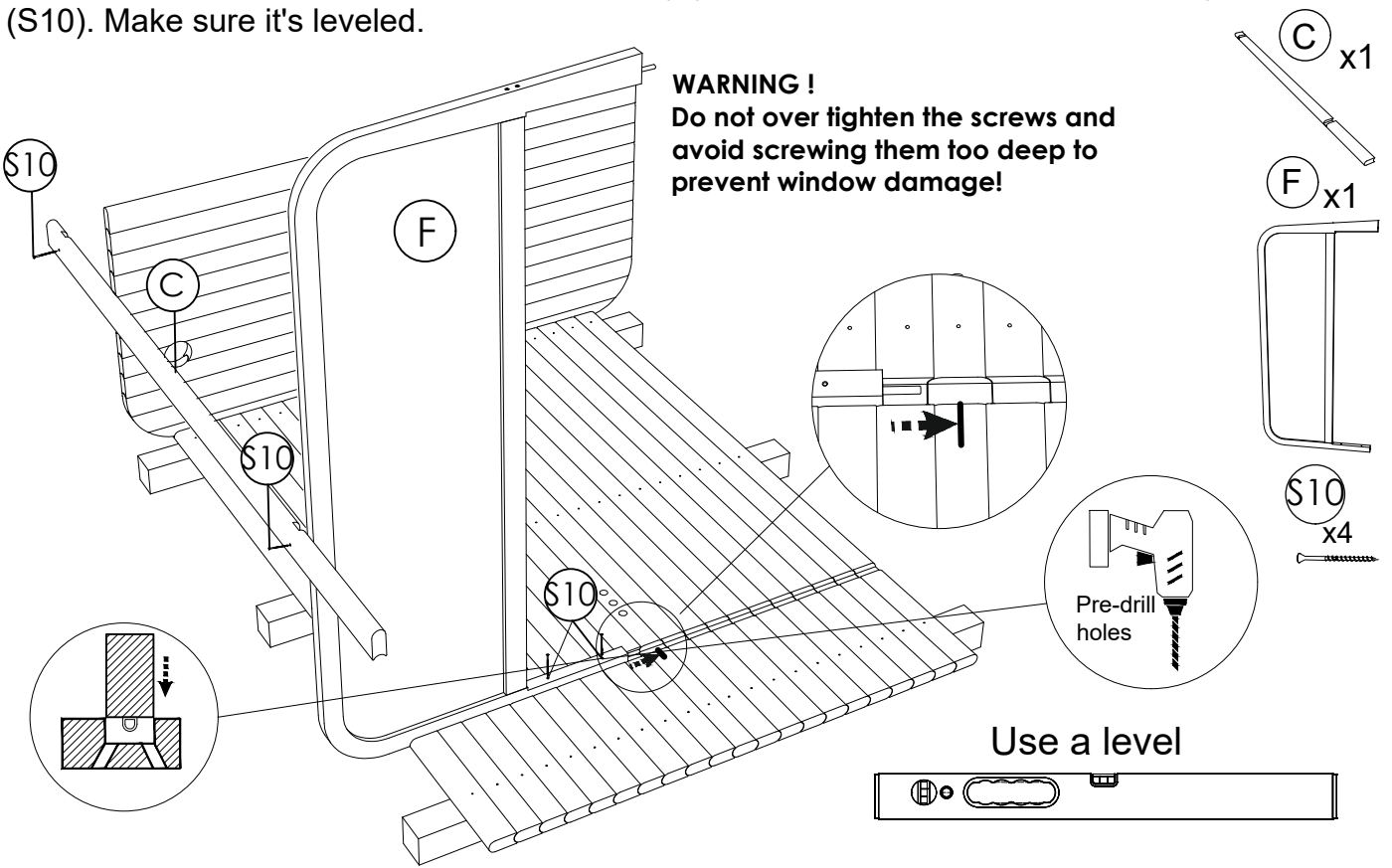
STEP 5: Place rear bottom panel (V) in the board groove. Check that the panel is level. Rubber seal cant cover excess water holes. Secure panel with screws (S4) at the both corners through the stave.



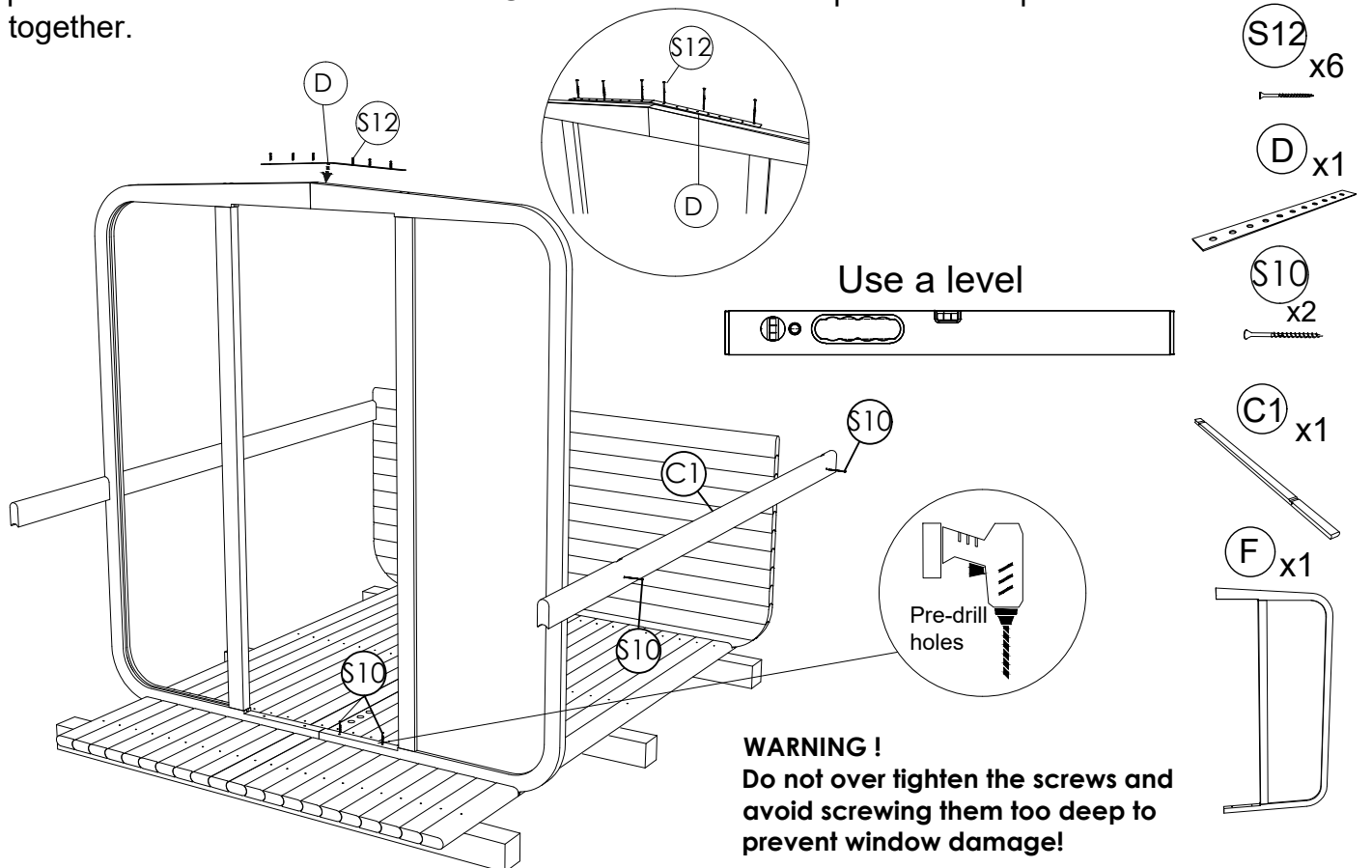
STEP 6: Attach rubber seal along the middle of the side edge for front panels (F) and cut it at the start of the corner. Insert wood pin in both holes of the front panel top and bottom.



STEP 7: Draw a line on the center stave where the middle is. Take one of the panels (F) and put it directly next to the middle line. Rubber seal can't cover excess water holes. Fix it at the panel threshold with screws (S10). Pre-drill holes in the panel threshold, evenly spaced and not too close to the sides. Connect both panels with (C) stave, front and back, and fix using screws (S10). Make sure it's leveled.

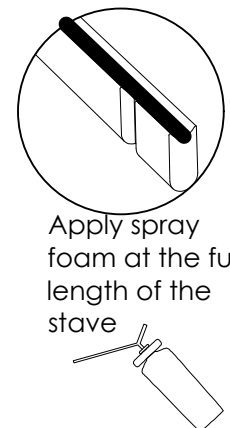
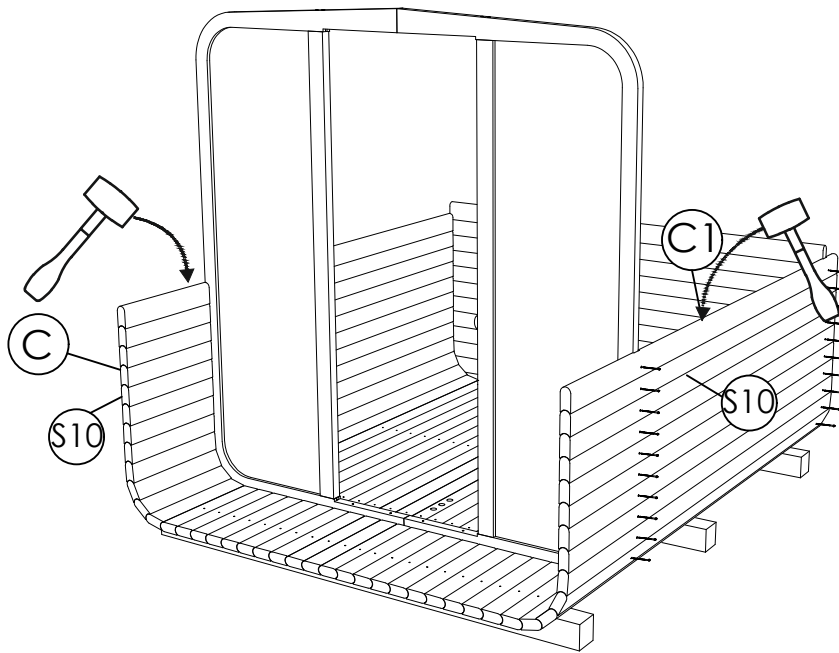


STEP 8: Place the second front panel (F). Rubber seal can't cover excess water holes. Slide it together that the top and bottom connects. Fix it at the panel threshold with screws (S10) pre-drill holes. Make sure it's level. Use metal bracket on top of the front panels to fix them together.



STEP 9: Fix 12 staves (C; C1) on both sides with screws (S10). Use rubber hammer for tighter placement. Use spray foam between every staff. Keep fixing staves till reach top of the rear panel (V).

WARNING !
Do not over tighten the screws and avoid screwing them too deep to prevent window damage!

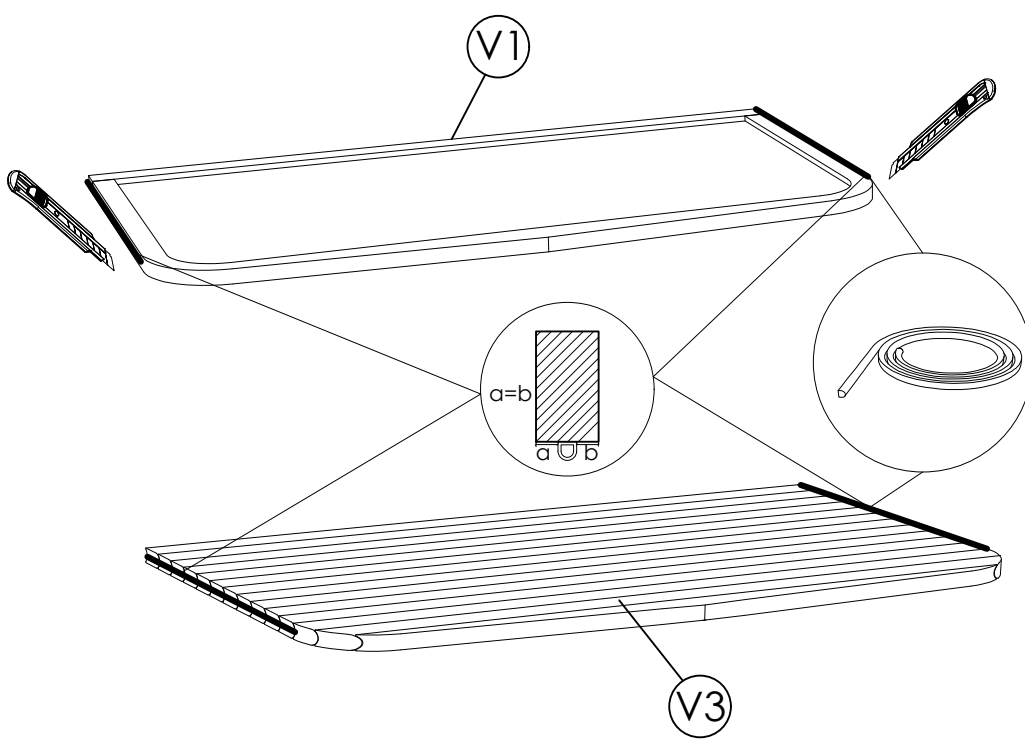


(S10) x48

- (P7) x1
- (C) x12
- (C1) x12

Apply spray foam at the full length of the staff

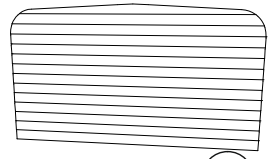
STEP 10: Attach rubber seal on both sides inside edge, from the bottom to start of the corner. Rubber seal must align with the bottom panel's rubber seal.



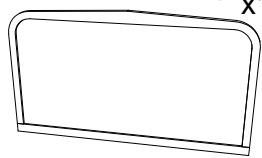
(Y) x1



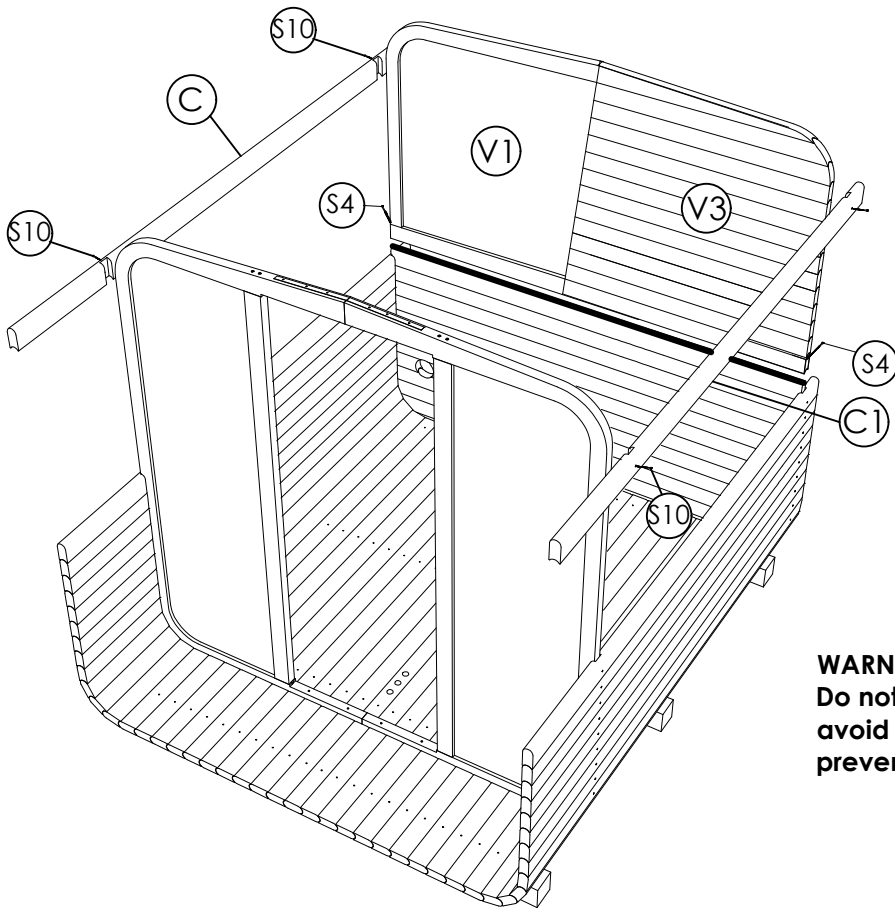
(V3) x1



(V1) x1



STEP 11: Install the panoramic panel (V1) or panel (V3) with caution. Use spray foam between panels for better insulation. Place it on top of the lower back panel (V). Check level and that side edges are aligned with bottom panel. One keeps holding the panel, and the other is fixing the side stave on a upper curve using screws (S10). Secure the panel (V1;V3) at the both corners using two screws (S4).

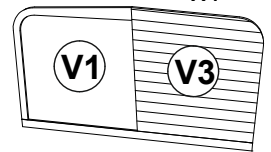


(S10) x28

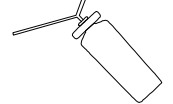
(C) x1

(C1) x1

x1



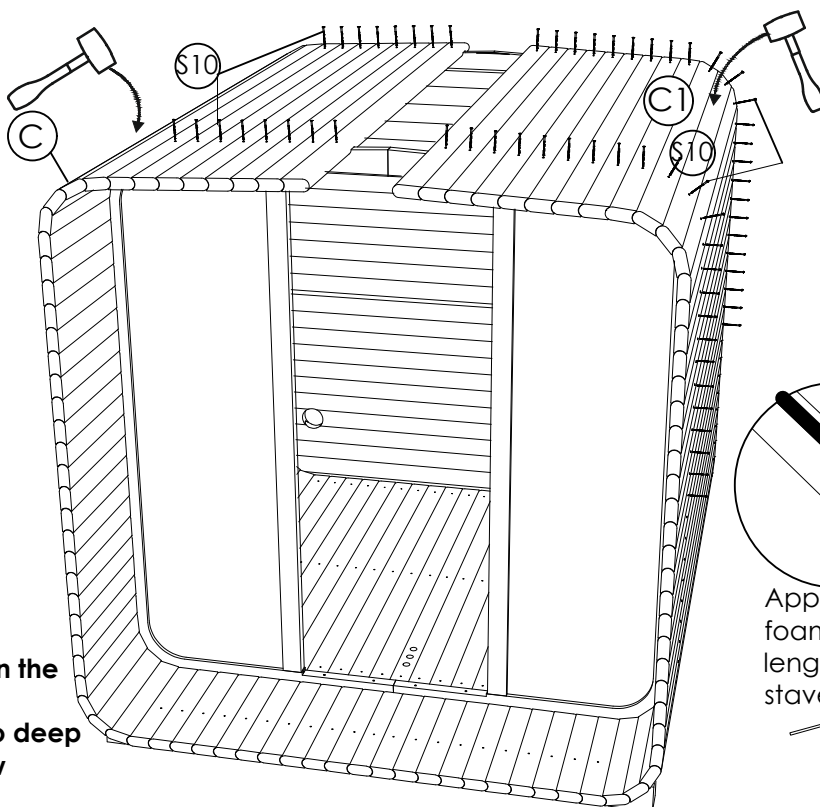
(P7) x1



WARNING !

Do not over tighten the screws and avoid screwing them too deep to prevent window damage!

STEP 12: Fix 24 staves (C; C1) on both sides with screws (S10). Use rubber hammer for tighter placement. Use spray foam between every stave. Keep fixing staves till reach top of the roof.

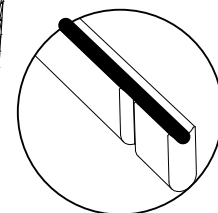
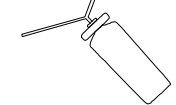


(S10) x96

(C) x24

(C1) x24

(P7) x1

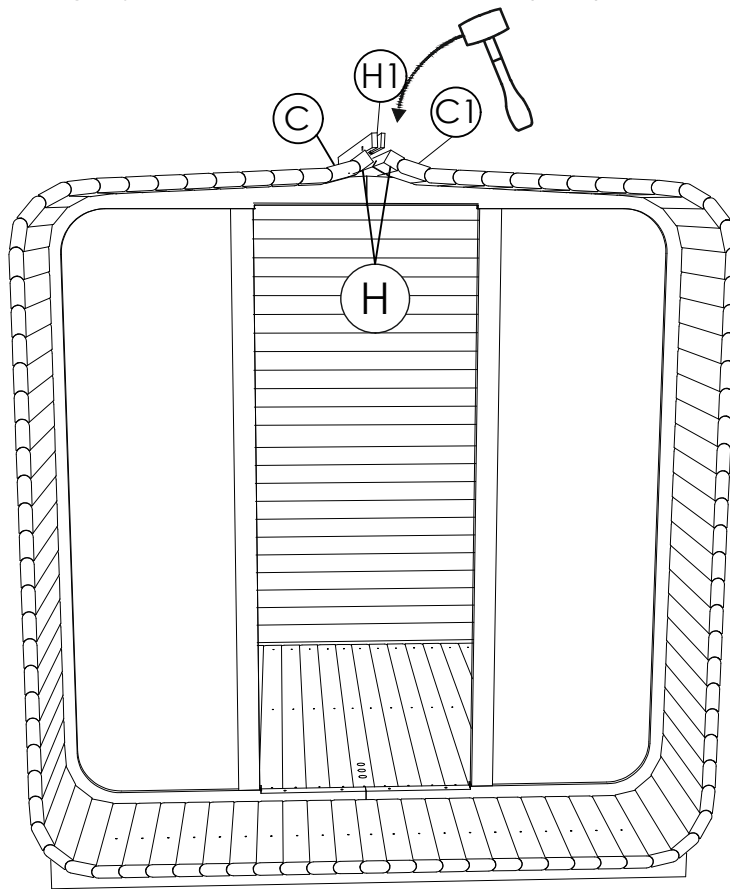


Apply spray foam at the full length of the stave

WARNING !

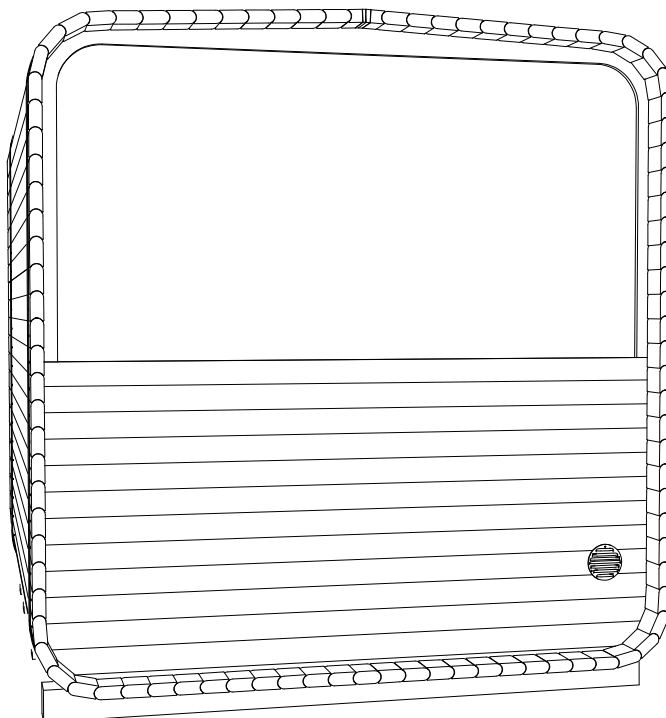
Do not over tighten the screws and avoid screwing them too deep to prevent window damage!

STEP 13: Finish roof with (C; C1) staves and final staves (H). If needed, use thinner staves (H1) to fill the gap between (H) staves and apply spray foam between staves. Make sure that centre of the roof is tightly filled, then fix with screws (S10).

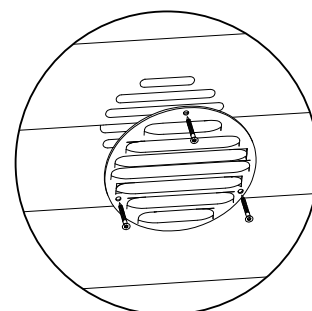


- (S10) x8
- (C) x1
- (C1) x1
- (H1) x4
- (H) x2
- (P7) x1

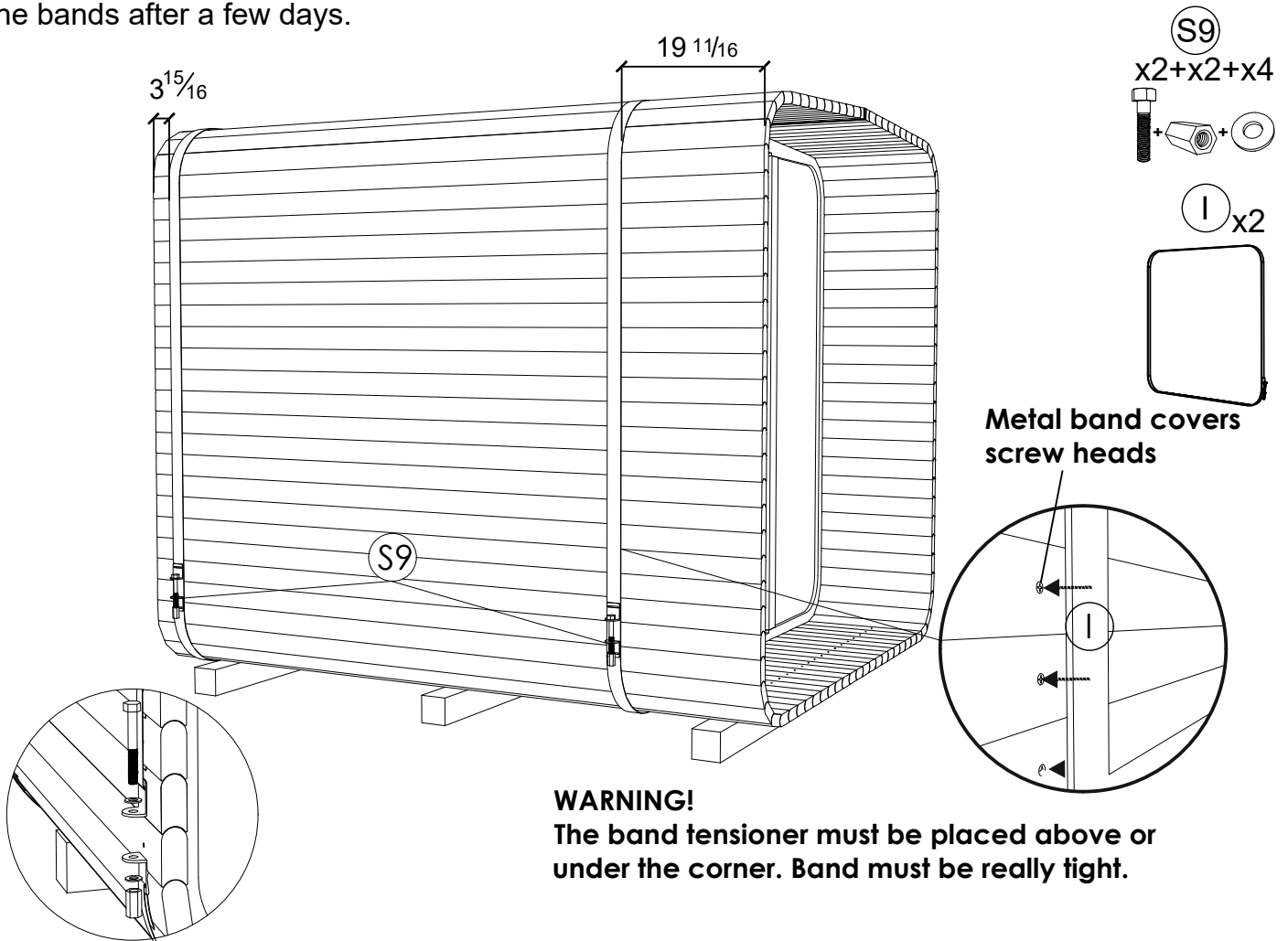
STEP 14 Install ventilation grill from outside over the ventilation cuts.



- (Y1) x1

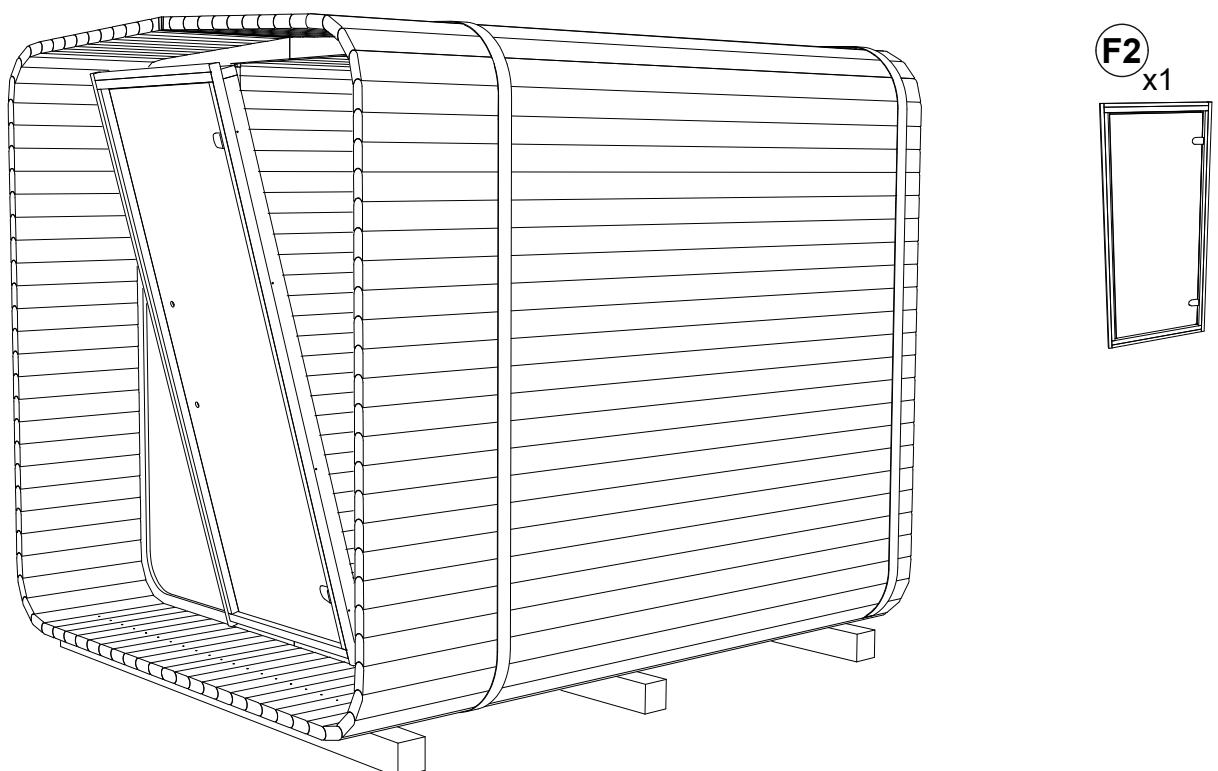


STEP 15: Install metal bands over the screw heads. **Screws (S9) must be placed as shown in picture**, then tighten the screws. Check the bands align evenly all around the sauna $3\frac{15}{16}$ in from the back and $19\frac{11}{16}$ in from front and check that band don't cover holes for excess water. Keep tightening bands till you feel strong resistance, bands can't be loose. Re-tighten the bands after a few days.

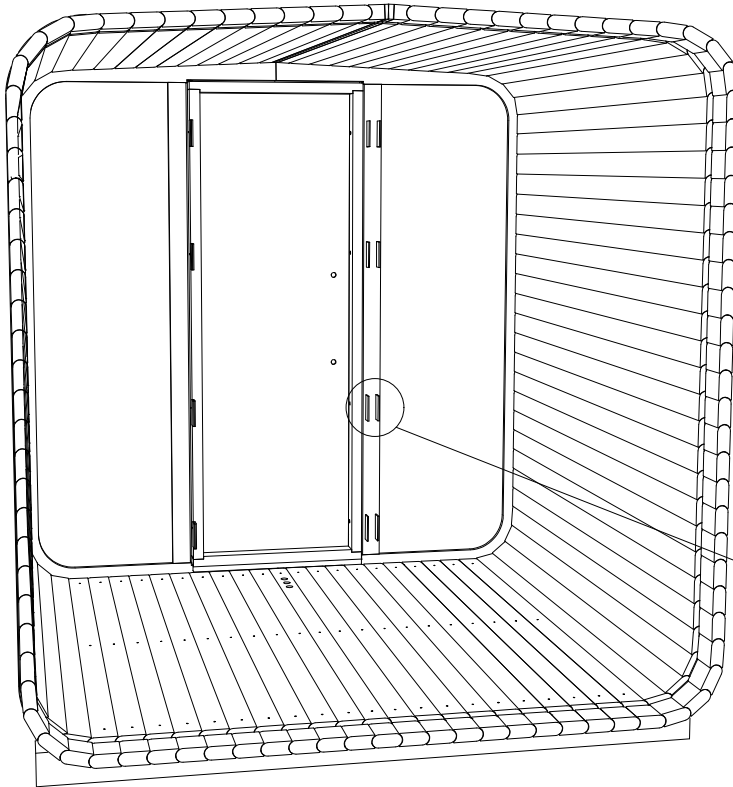
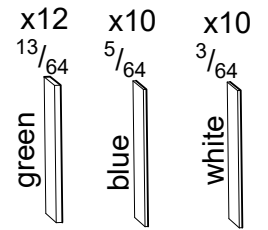


WARNING!
The band tensioner must be placed above or under the corner. Band must be really tight.

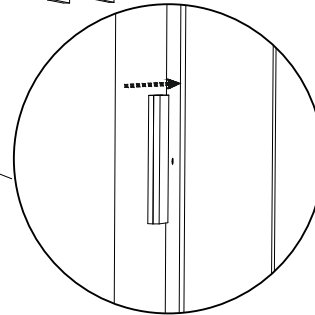
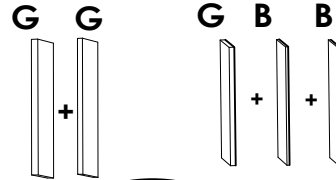
STEP 16: Install the doors (F2). Put the doors on threshold and lay in frame about in the middle. Fix doors with clamps or another person should hold the door.



STEP 17: Put plastic spacers in the gap between the door box and the front panel where the screws go. Combine spacers for best width. Spacer must fit tightly.



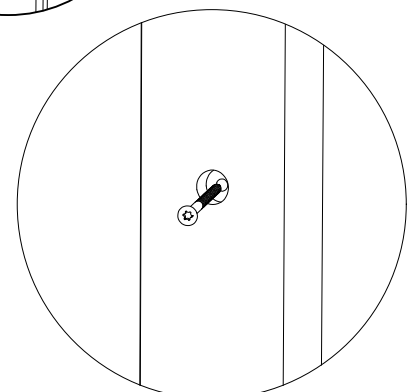
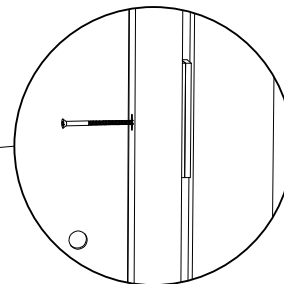
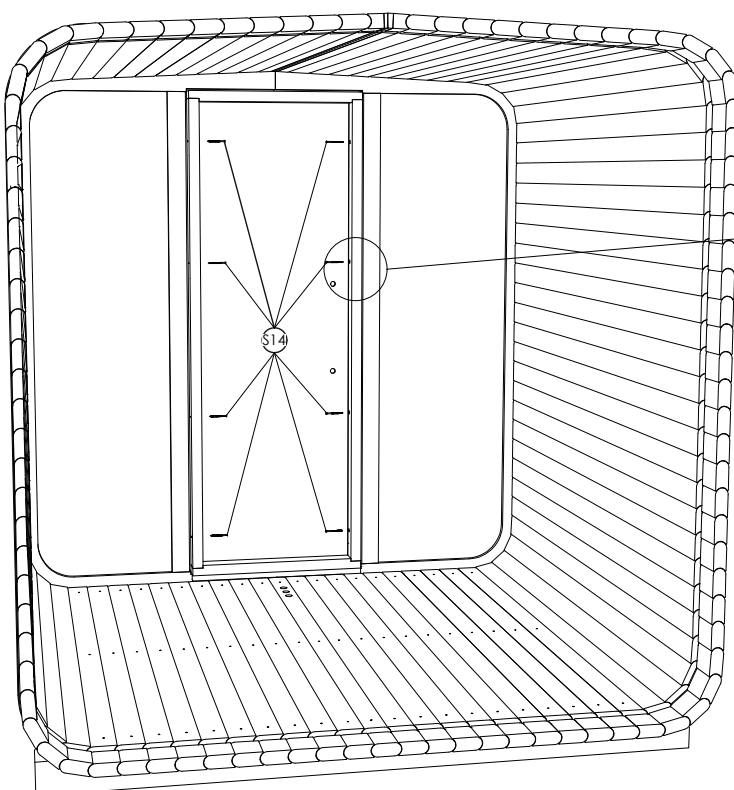
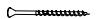
example



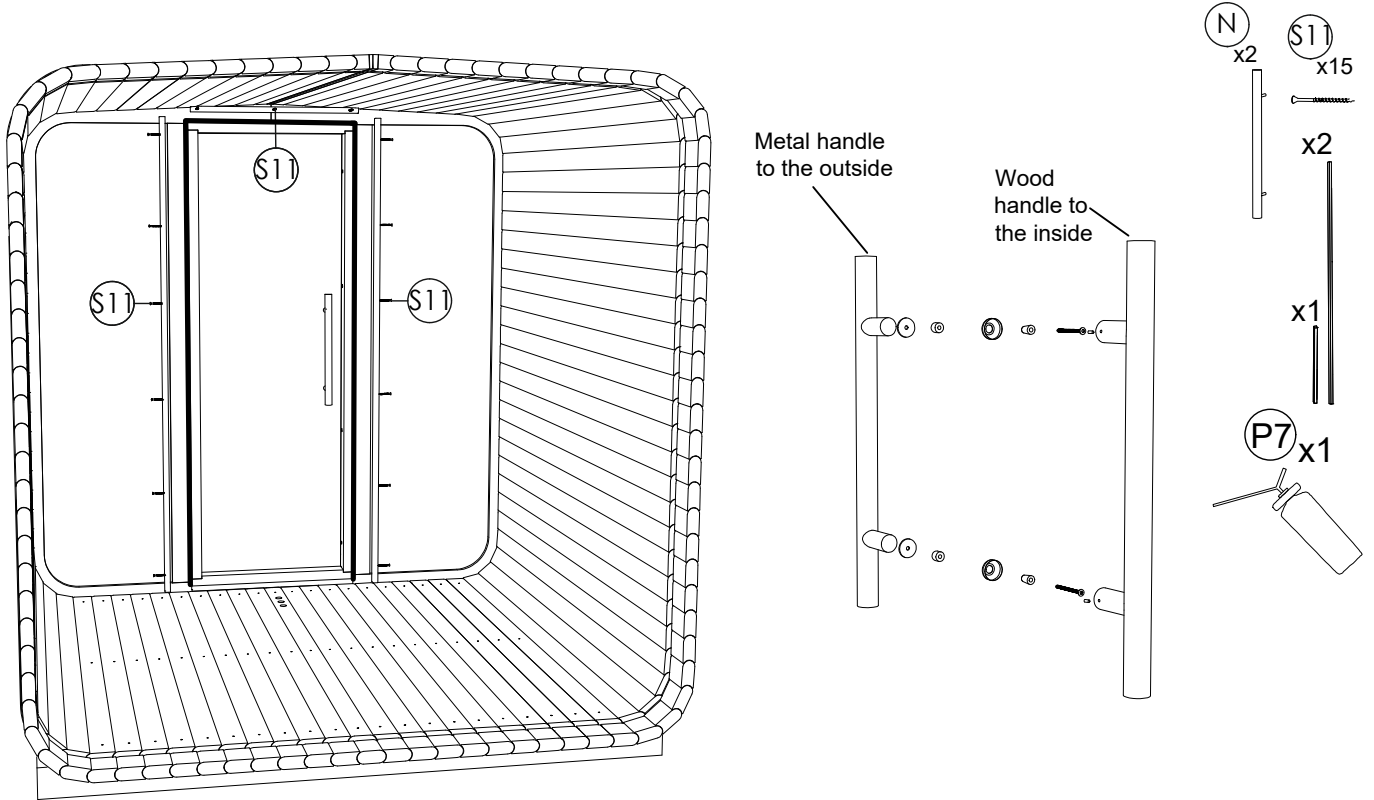
STEP 18: Fix one side of the door box with screws (S14) slightly to the outside through spacers. Then put spacers in other side. Combine spacers for necessary width. Spacers must fit tightly, they can't slip down before door is fixed with screws. Use screws (S14) to fix doors. Check door box, both sides should be straight, they must not be bent inwards or outwards.

S14
x8

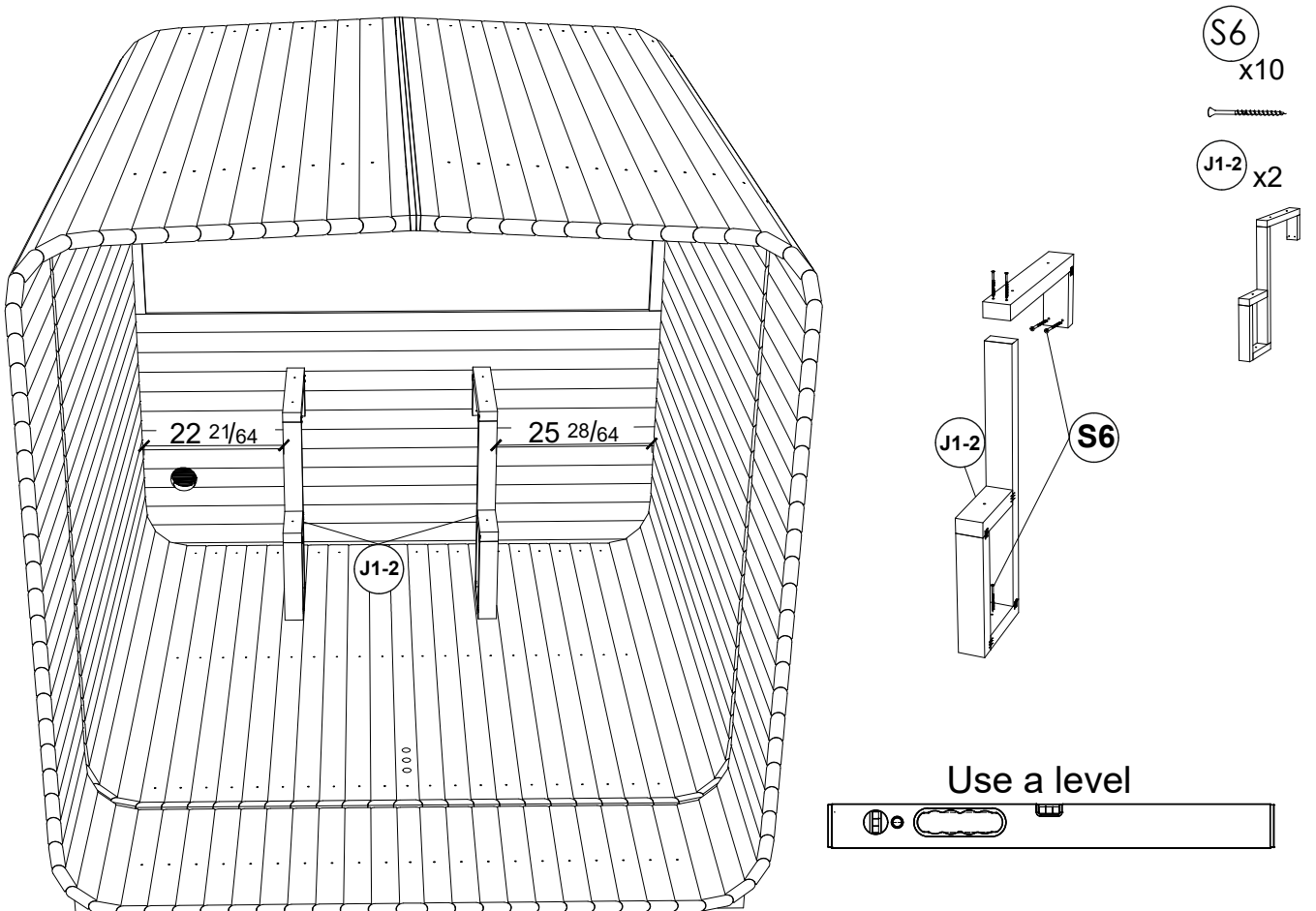
Use a level



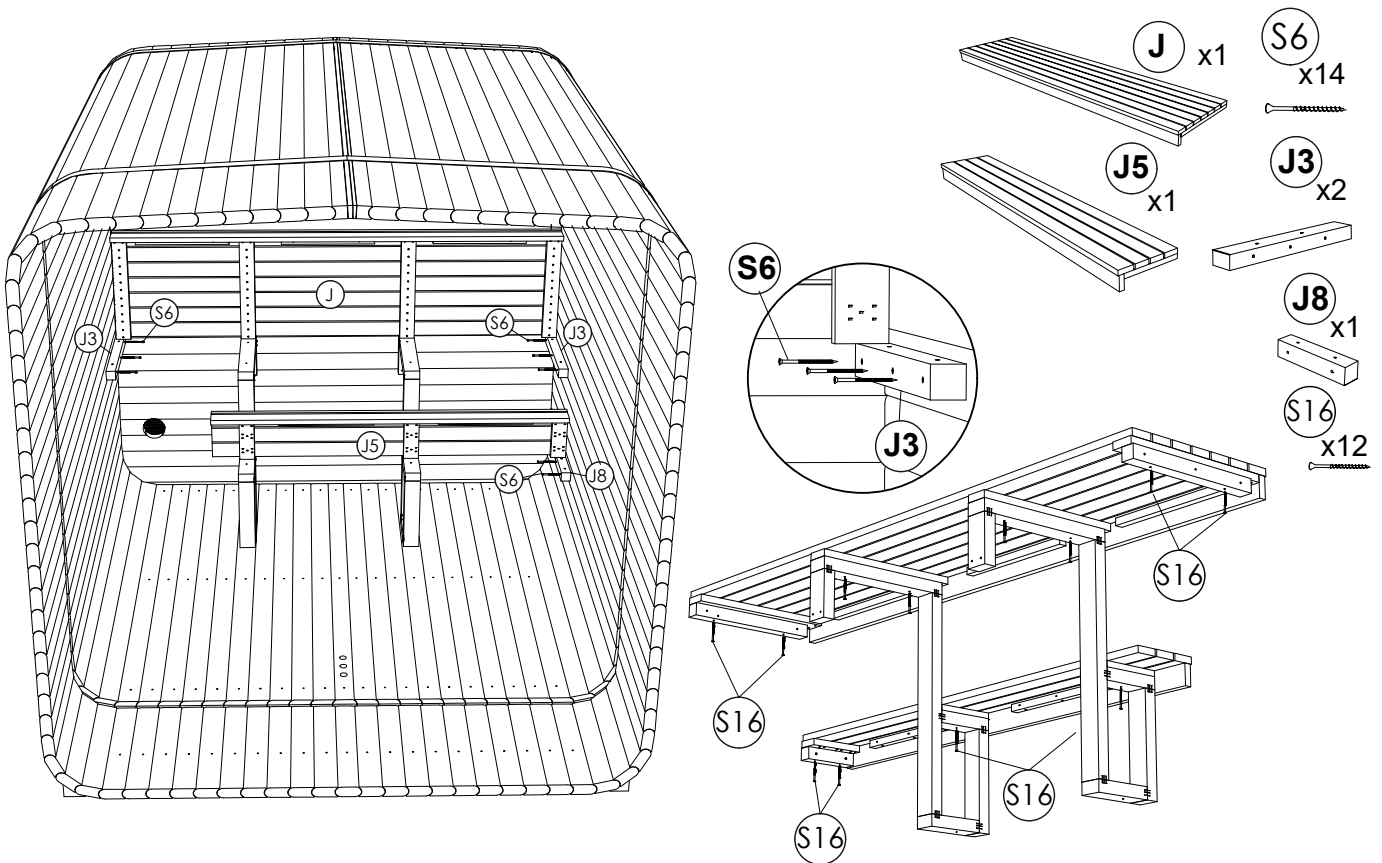
STEP 19: Use spray foam around door box. Let the spray foam dry. The excess amount will come off easily if you don't touch it while it's wet. Fix door moldings to both sides and on top of the door with (S11) screws.



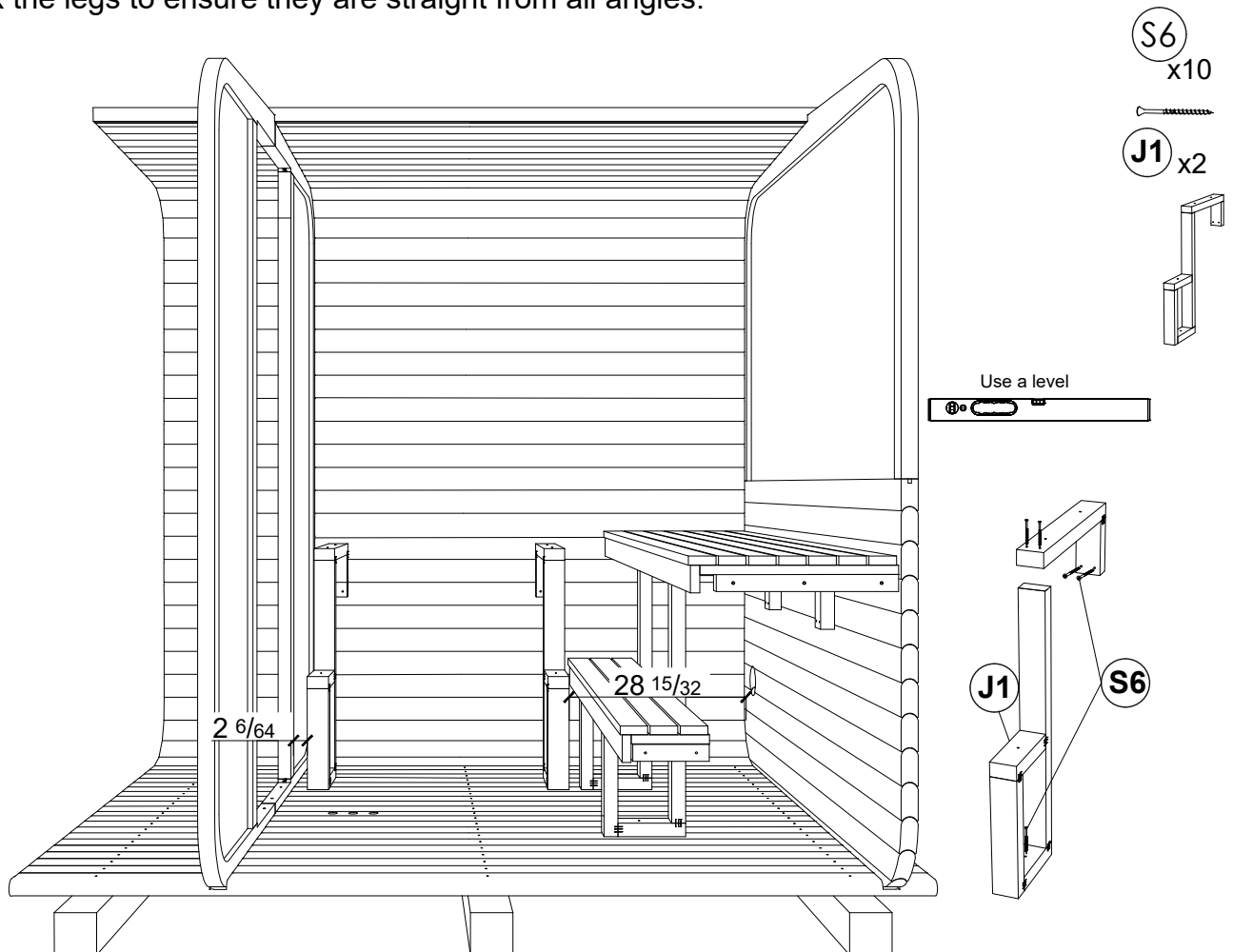
STEP 20: Install bench legs (J1-2) with (S6) screws. Take measurements as in the picture. Check the legs to ensure they are straight from all angles.



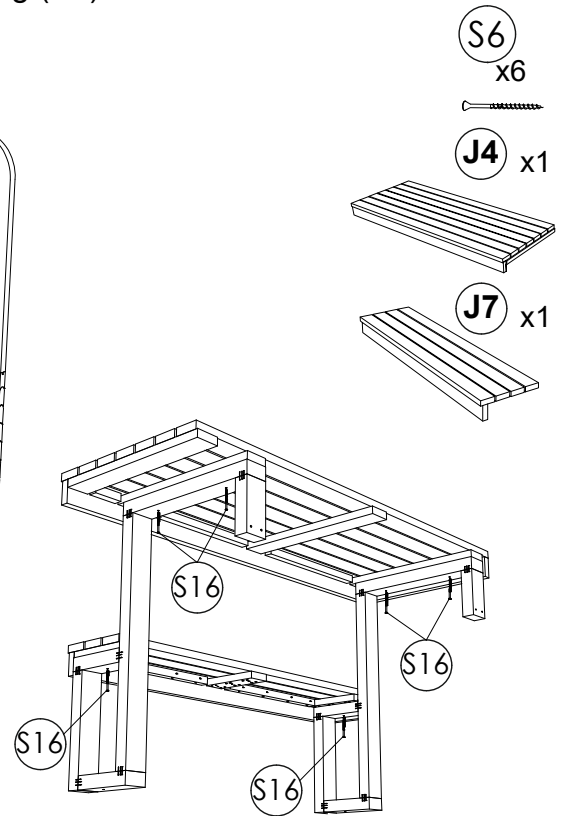
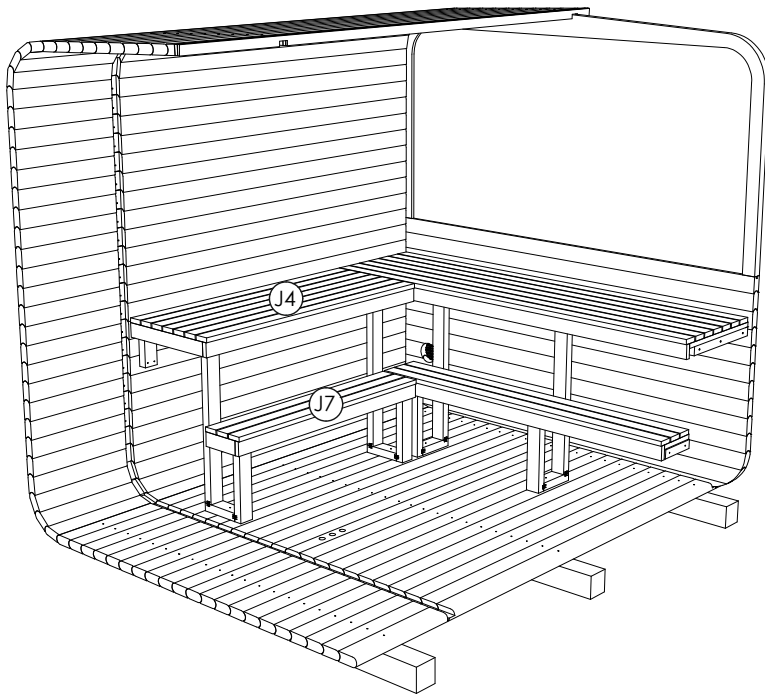
STEP 21: Place long sauna bench upwards on the bench legs. Then install bench support boards (J3) on the side walls using S6 screws, at the same level as the bench legs. Leave gap from back wall about 20mm. Fix bench (J1) and bench step (J5) using (S6) screws.



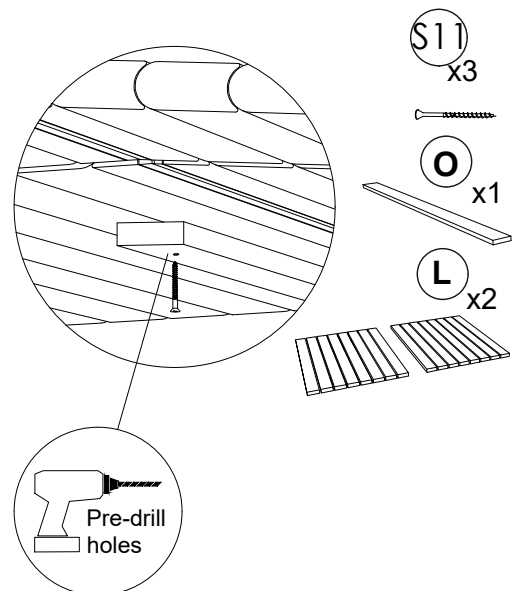
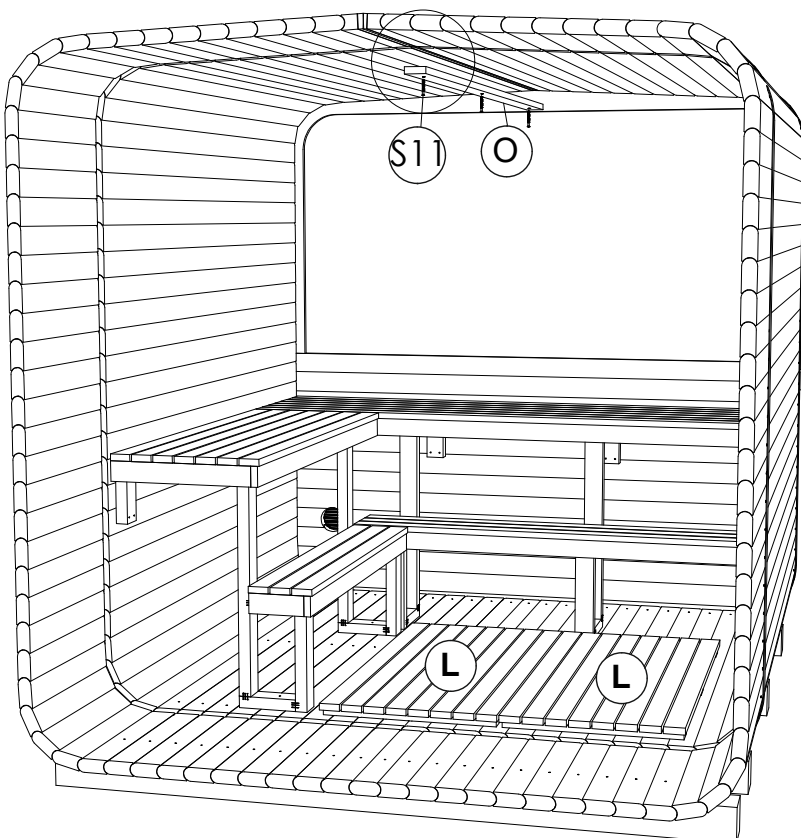
STEP 22: Install bench legs (J6) with (S6) screws. Take measurements as in the picture. Check the legs to ensure they are straight from all angles.



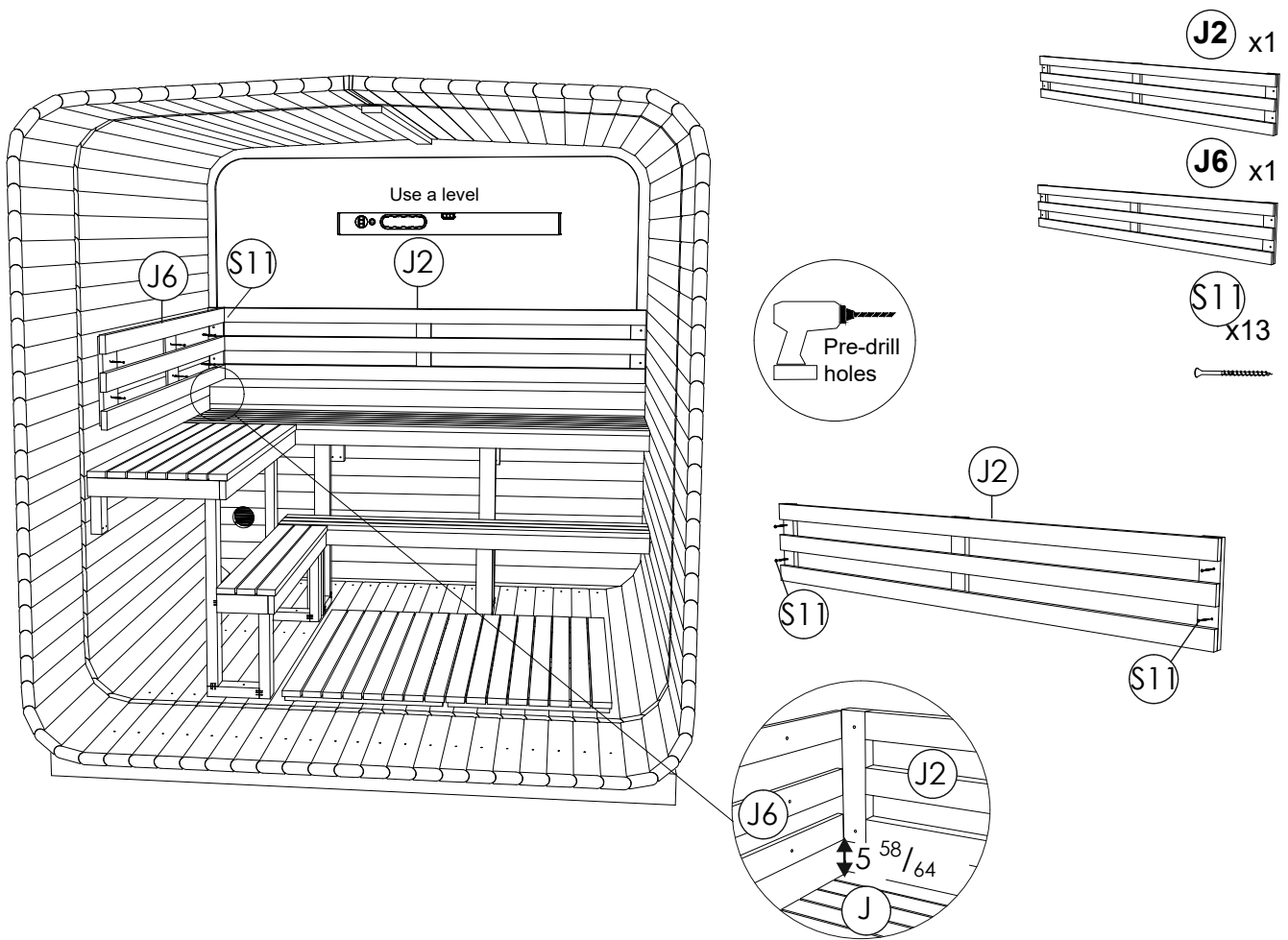
STEP 23: Fix sauna bench (J4) on top of the legs (J6) using (S6). Bench cross boards have to match the tops of the bench legs. Fix Bench step (J7) using (S6) screws.



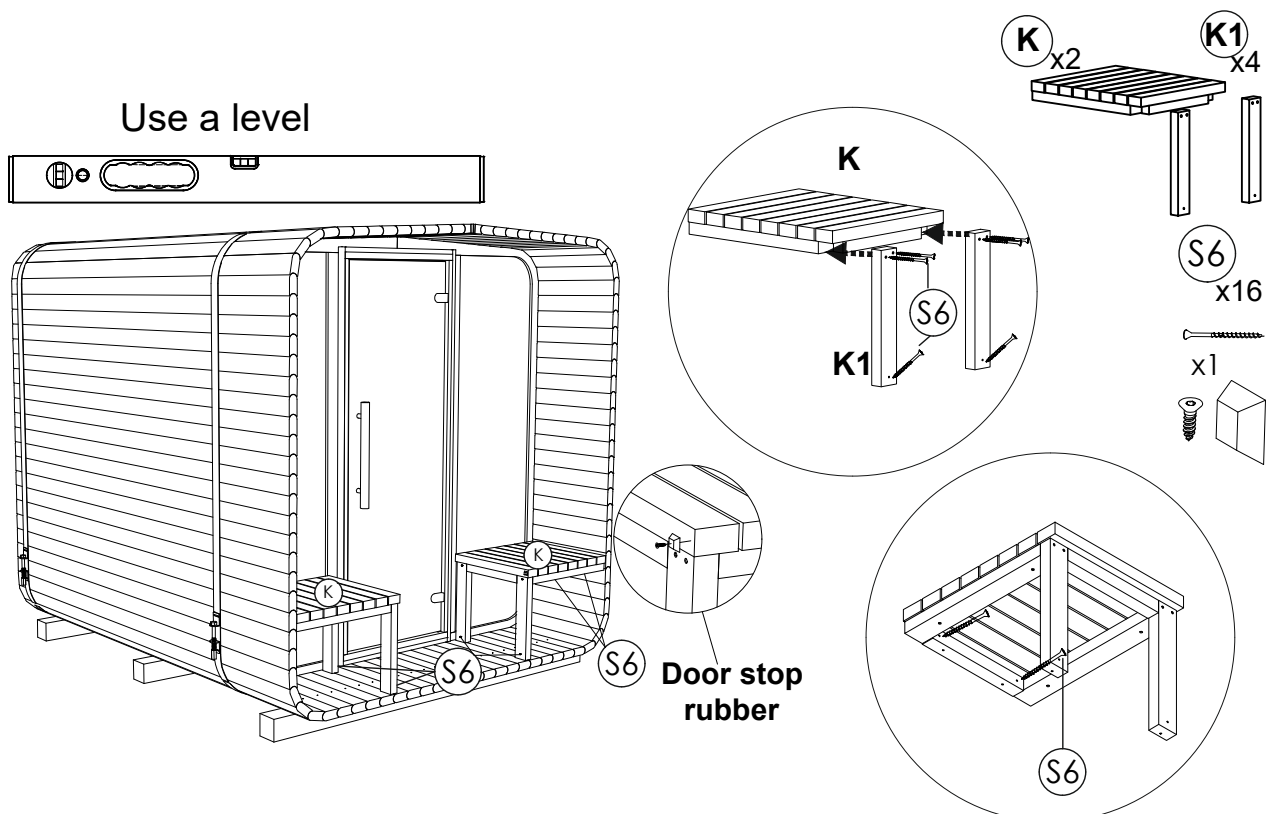
STEP 24: Install the ceiling board (O) in the middle of the ceiling, pre-drill holes for screws (S5). Lay in sauna floor (L).



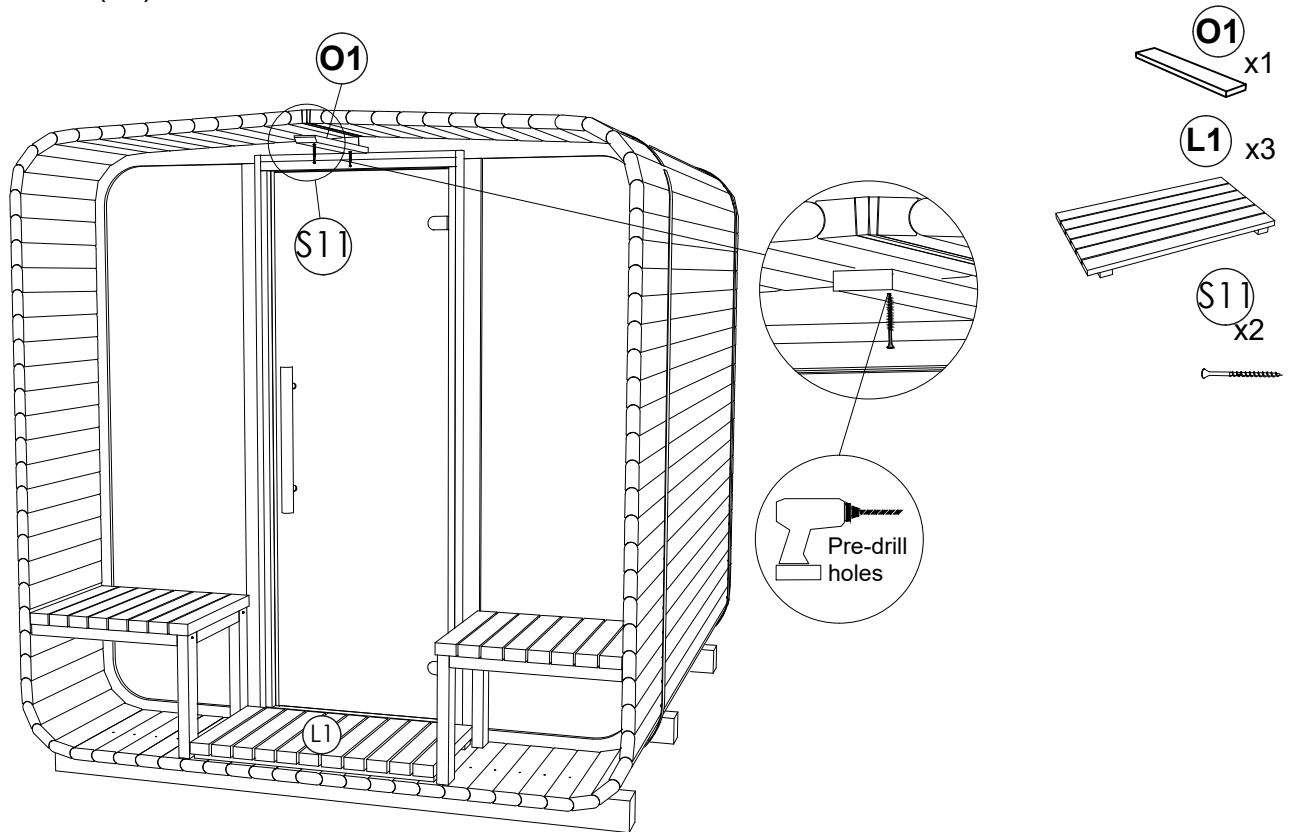
STEP 25: Fix the backrest (J2) in front of the panoramic window $5 \frac{58}{64}$ up from the sauna bench. Then install backrest staves (J6) at the same height as (J2). Pre-drill holes for screws.



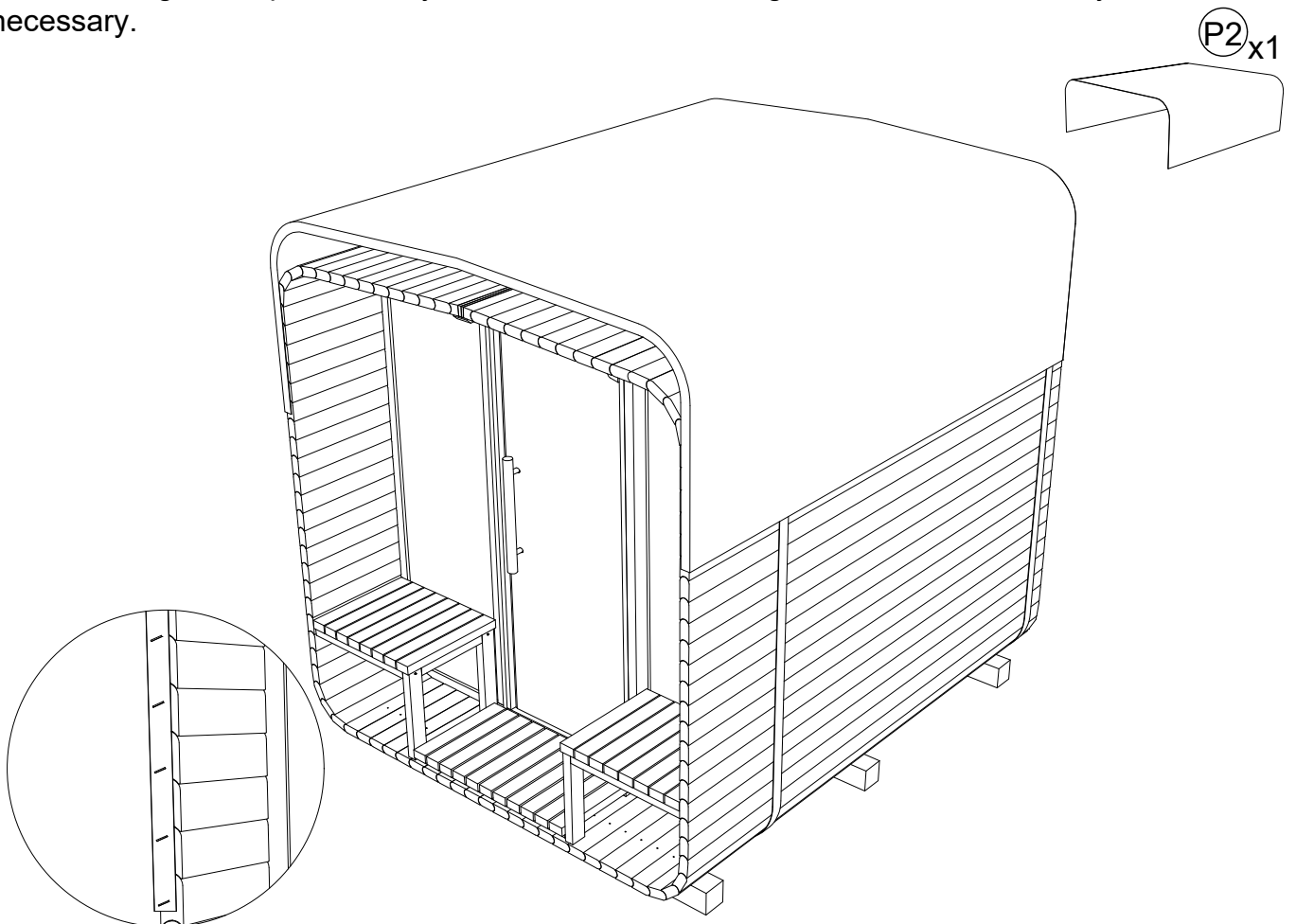
STEP 26: Fix two legs (K1) for benches. Install porch benches (K), using screws (S6).



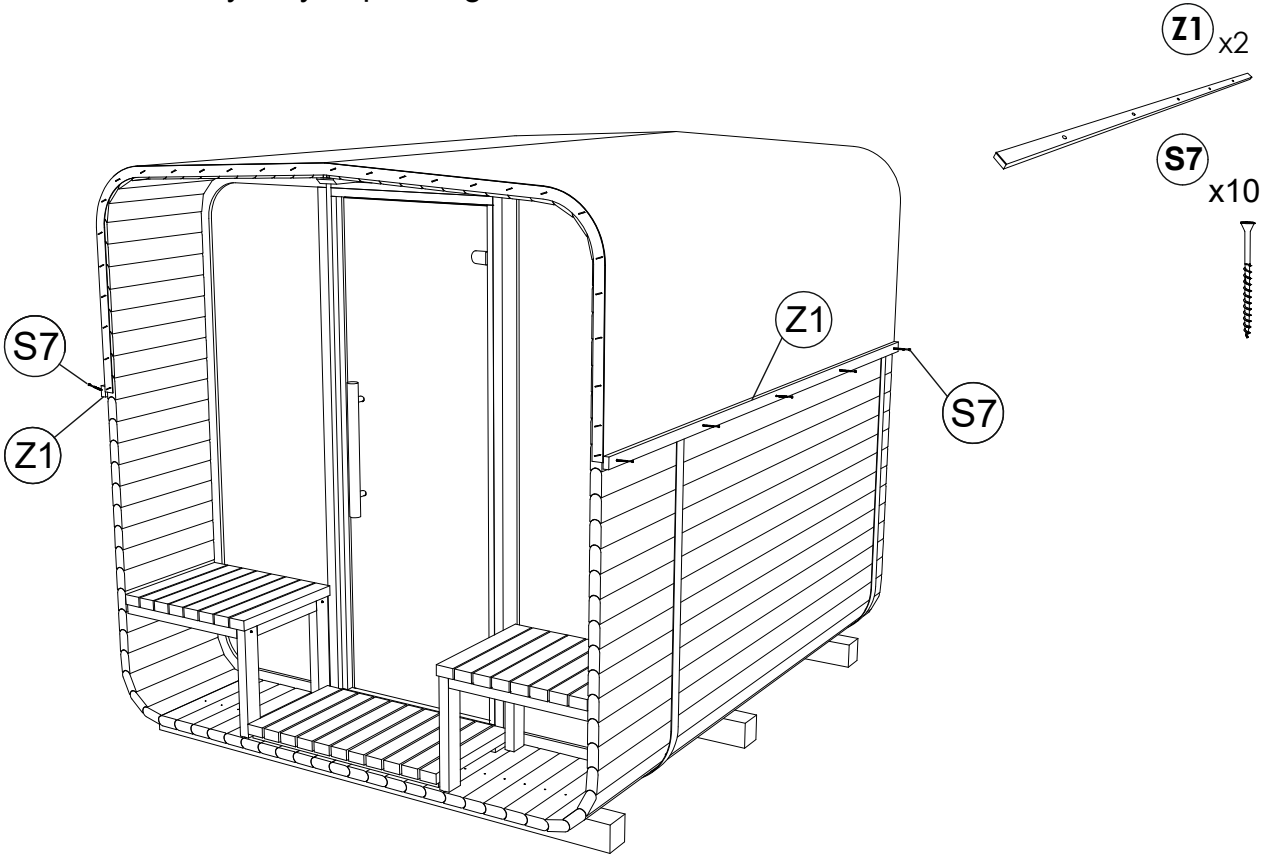
STEP 27: Install the ceiling board (O1) in the middle of the ceiling with screws (S11). Lay outside floor (L1) in front of the sauna door.



STEP 28: Lay out underlay on the roof evenly to both sides. Leave about $1 \frac{37}{64}$ over the front and back edges. Staple underlay at the front and back edges. Cut excess underlay if necessary.



STEP 29: Fix with wooden slats (Z1) with screws (S7) on the rain jacket bottom. The number of screws may vary depending on the sauna model.



STEP 30: Install front and back decorative roof finishing boards using (S7) screws. Start by fixing two top boards, then rest of it goes next to each other.

